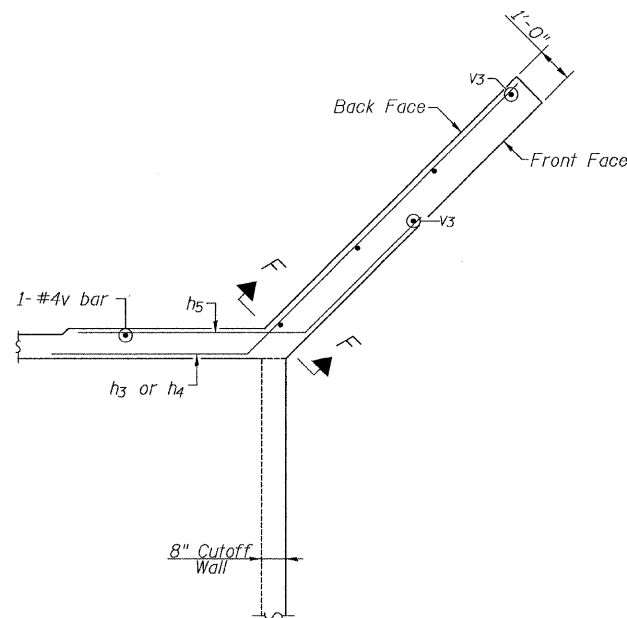
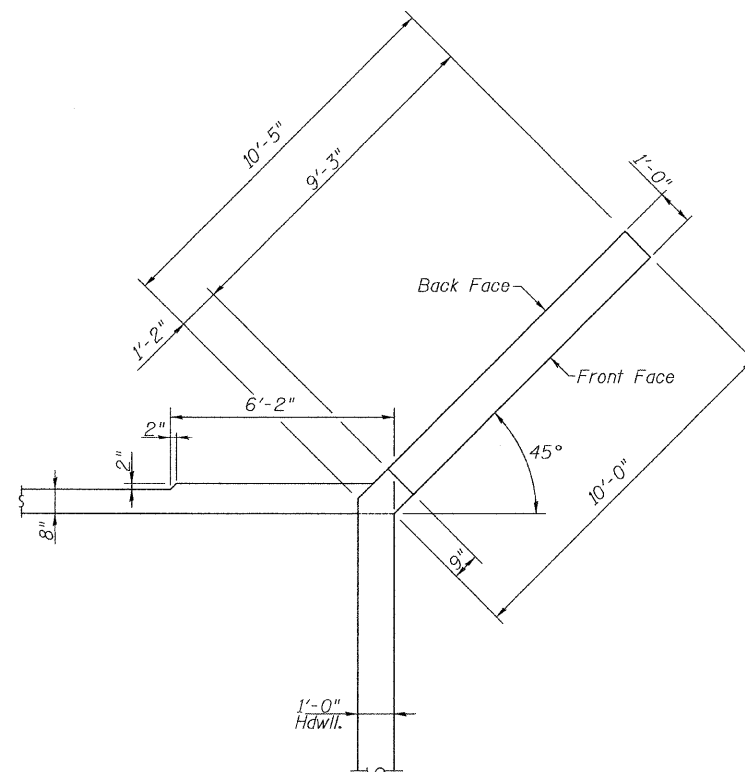


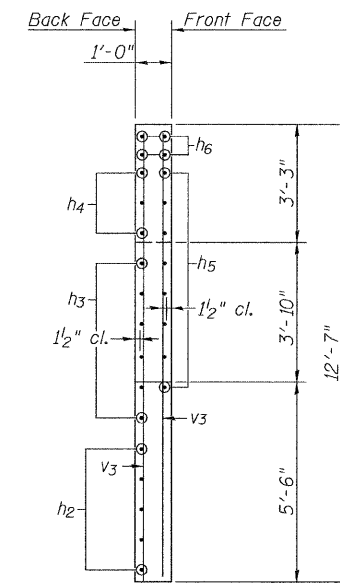
**WINGWALL ELEVATION**  
(Downstream End)



**SECTION E-E**  
(Downstream End)  
(Showing Reinforcement)




**CORNER DETAIL**  
(Downstream End)



**SECTION F-F**

**CULVERT DETAILS III**  
**STRUCTURE NO. 055-2009**

 <b>Allen Henderson &amp; Associates, Inc.</b> Civil and Structural Engineers Springfield, IL 62703 Phone: (217)544-8033 IL Design Firm No. 184-001907	SHEET NO. 6	RTE.	SECTION	COUNTY	TOTAL SHEETS	SHEET NO.
	7 SHEETS	*	ARGYLE LAKE STATE PARK	McDONOUGH	162	99
			* PARK ROADS	CONTRACT NO. 46158		
		FED. ROAD DIST. NO. _ ILLINOIS JOB NO. C-30-055-11				