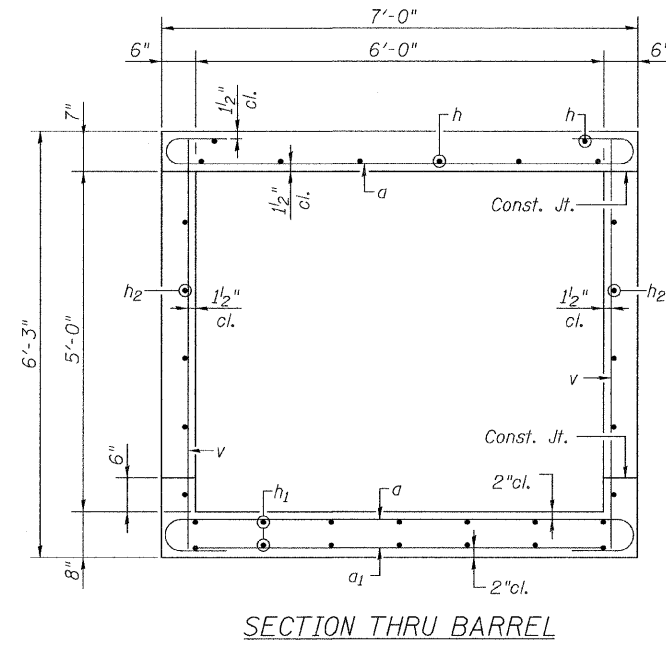
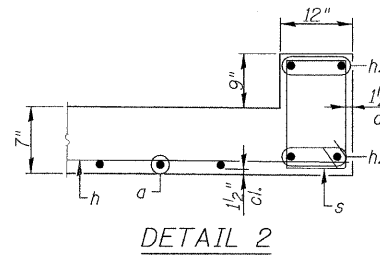
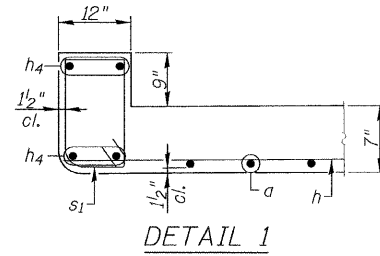



Coarse aggregate full length of both headwalls. To be placed by Grading Contractor. Cost included with Concrete Box Culverts.



BILL OF MATERIAL

Bar	No.	Size	Length	Shape
a	132	#7	8'-4"	—
a ₁	20	#4	6'-8"	—
d	12	#4	4'-5"	—
h	16	#6	19'-10"	—
h ₁	28	#4	19'-6"	—
h ₂	20	#5	19'-8"	—
h ₃	16	#6	9'-3"	—
h ₄	8	#6	6'-4"	—
h ₅	14	#6	15'-2"	—
h ₆	20	#6	9'-6"	—
h ₇	14	#6	13'-0"	—
s	7	#4	4'-5"	—
s ₁	7	#4	4'-3"	—
v	106	#4	5'-11"	—
v ₁	16	#4	8'-11"	—
Concrete Box Culverts			Cu. Yd.	28.6
Reinforcement Bars			Pound	5360

CULVERT DETAILS
STRUCTURE NO. 055-2507

 Allen Henderson & Associates, Inc. Civil and Structural Engineers Springfield, IL. 62703 Phone: (217)544-8033 IL Design Firm No. 184-001907	SHEET NO. 3	RTE.	SECTION	COUNTY	TOTAL SHEETS	SHEET NO.
	3 SHEETS	*	ARGYLE LAKE STATE PARK	McDONOUGH	162	103
		*	PARK ROADS	CONTRACT NO. 46158		
		FED. ROAD DIST. NO. _	ILLINOIS JOB NO. C-30-055-11			