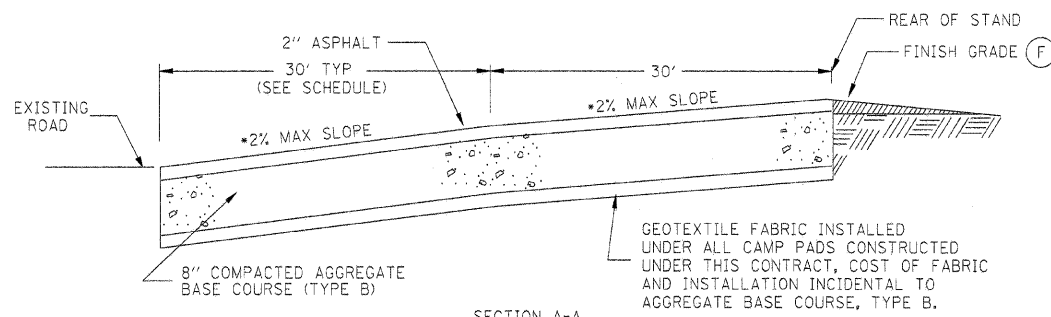
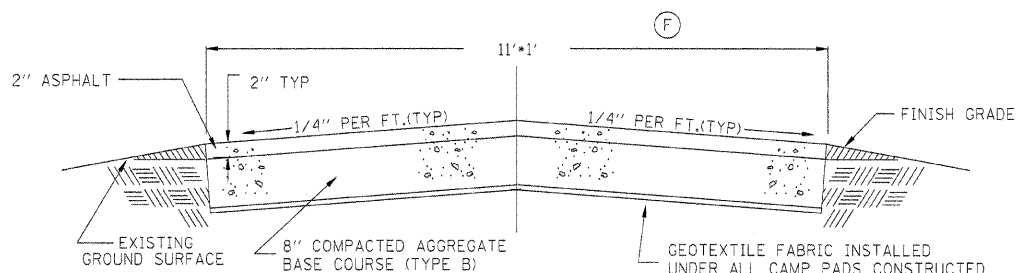


TYPICAL BACK-IN CAMPSITE
NOT TO SCALE

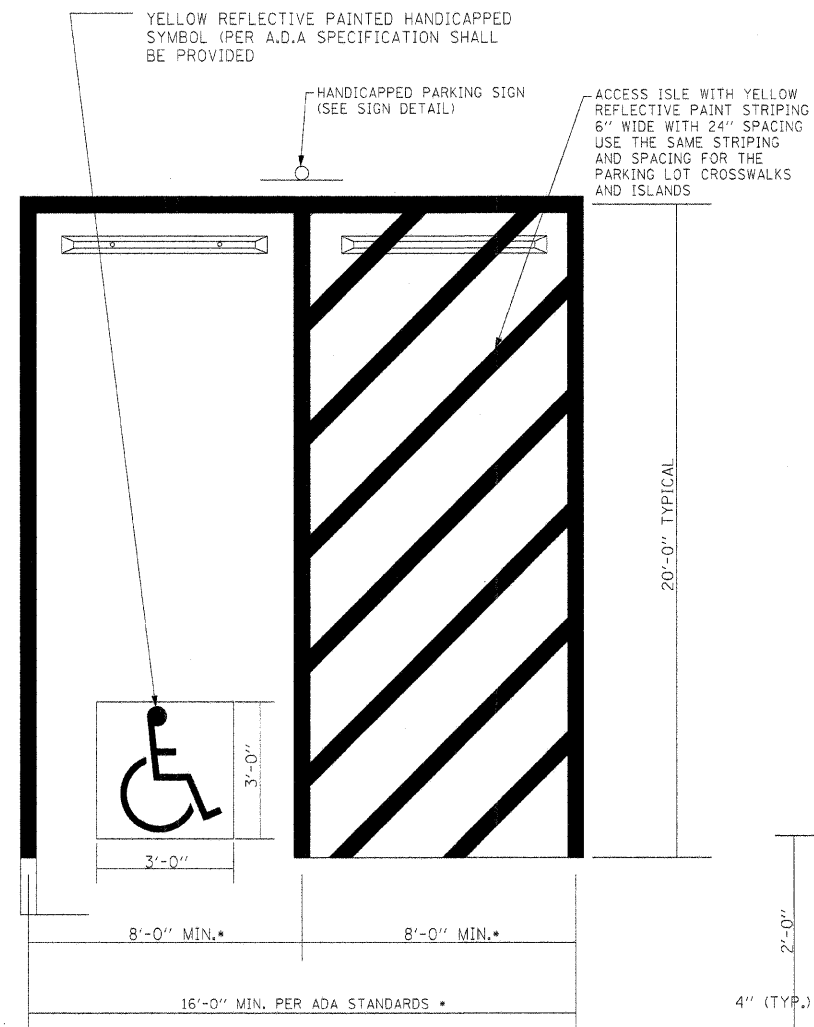
(A) - SEE PLAN SHEETS FOR ARGYLE LAKE STATE PARK PROJECT



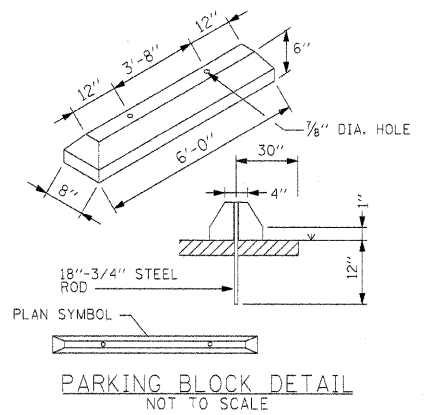
SECTION A-A
NOT TO SCALE



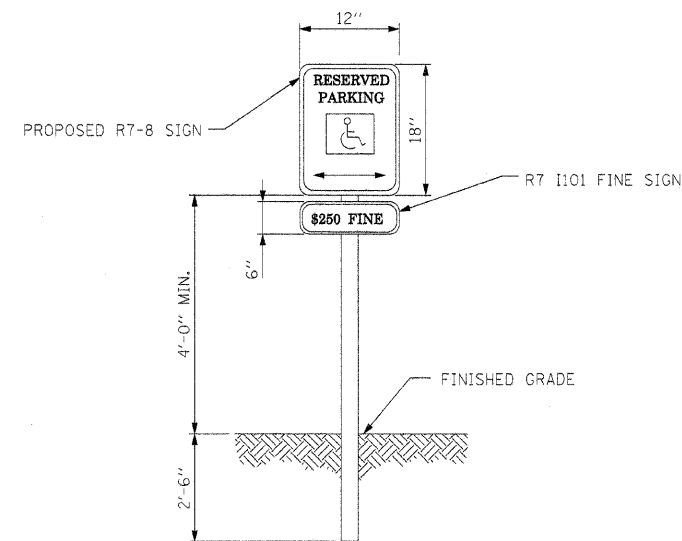
SECTION B-B
NOT TO SCALE



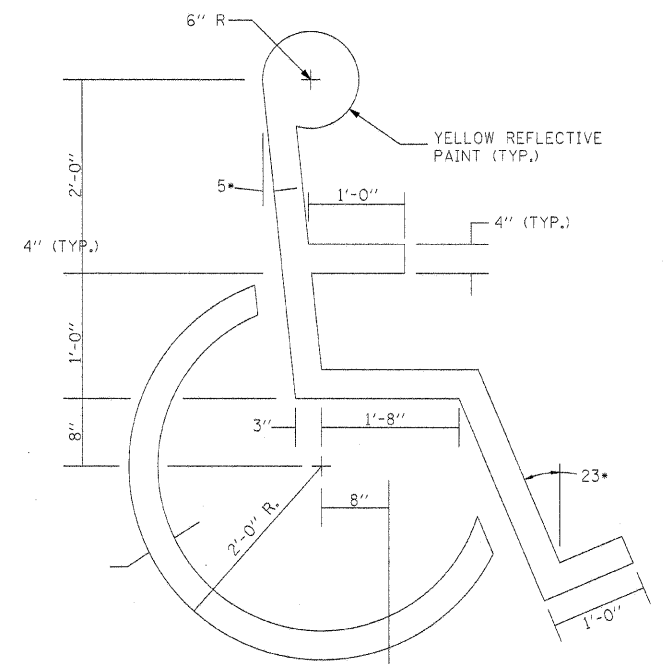
SEE PLANS TO VERIFY DIMENSIONS



PARKING BLOCK DETAIL
NOT TO SCALE



HANDICAPPED PARKING SIGNS
NOT TO SCALE



HANDICAPPED SYMBOL LAYOUT DETAIL
NOT TO SCALE

FILE NAME = #FILE#	USER NAME = #USER#	DESIGNED - R.H.D.	REVISED -
		DRAWN - S.D.K.	REVISED -
		CHECKED - T.T.P.	REVISED -
		DATE - 12/09/10	REVISED -

**STATE OF ILLINOIS
DEPARTMENT OF TRANSPORTATION**

**ARGYLE LAKE STATE PARK
DETAILS - HANDICAP PARKING**

F.A. RTE.	SECTION	COUNTY	TOTAL SHEETS	SHEET NO.
	ARGYLE LAKE STATE PARK	McDONOUGH	162	106
CONTRACT NO. 46158				
FED. ROAD DIST. NO. [ILLINOIS] FED. AID PROJECT				

SCALE: 1"=50' SHEET NO. 106 OF 162 SHEETS STA. TO STA.