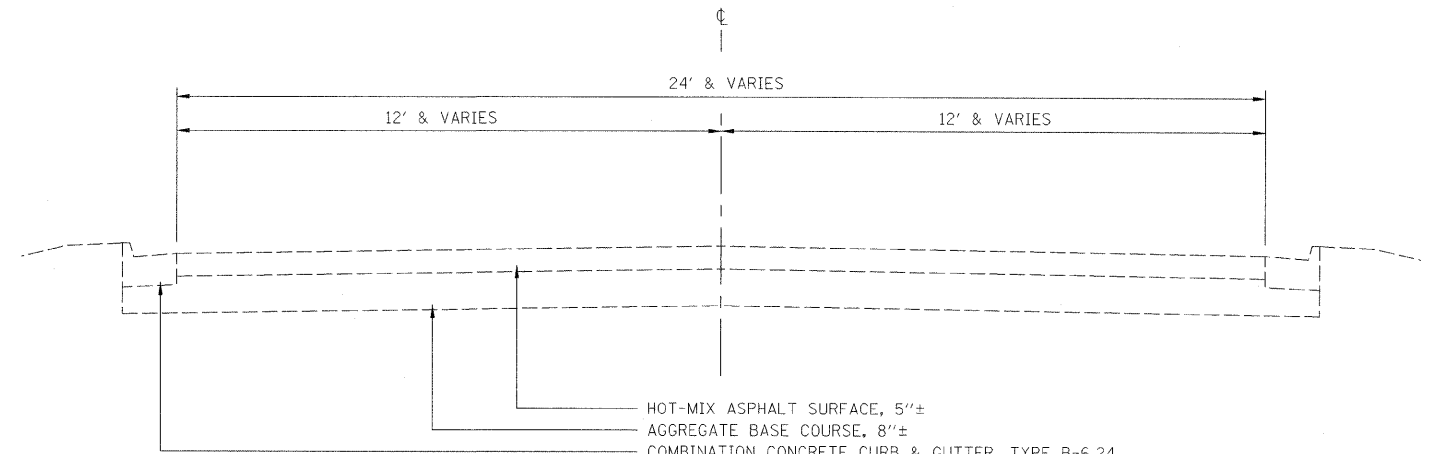


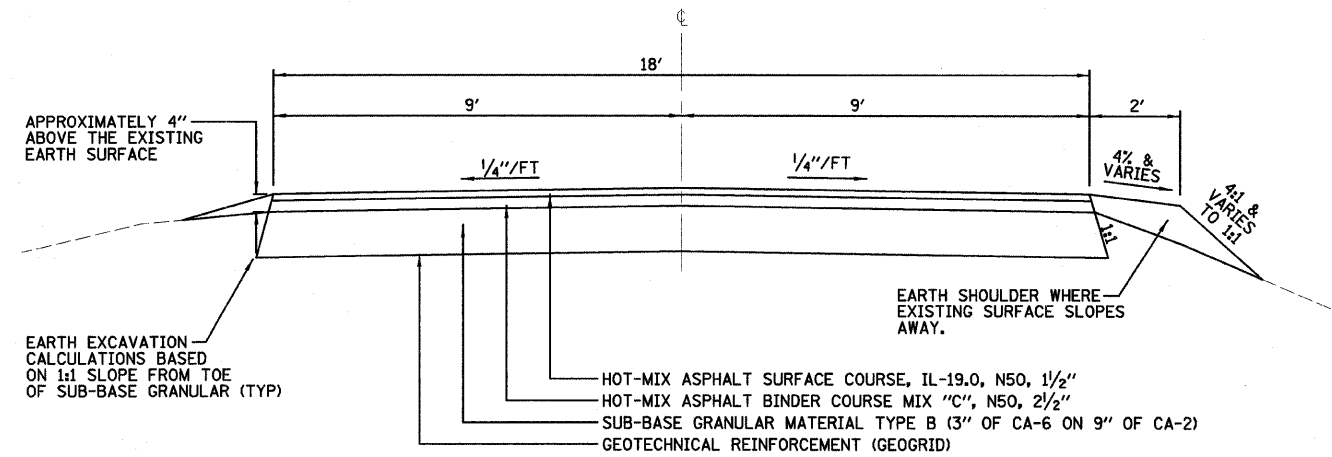
EXISTING TYPICAL SECTION

VARIOUS PARK ROADS
STA 10+54.59 TO STA 41+00



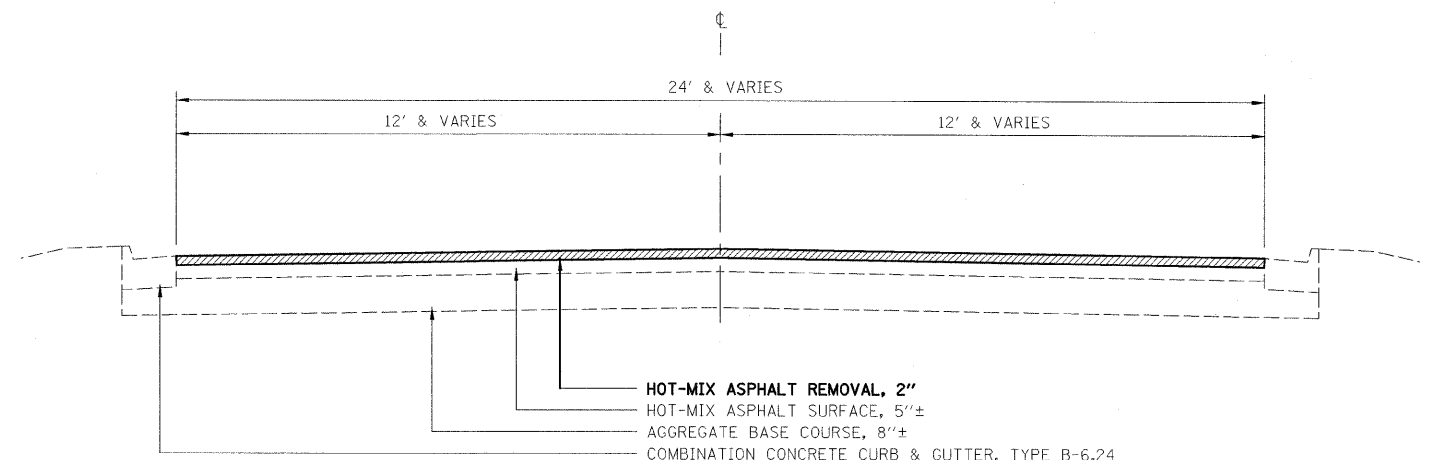
EXISTING TYPICAL SECTION

STA 7+84.80 TO STA 10+54.59



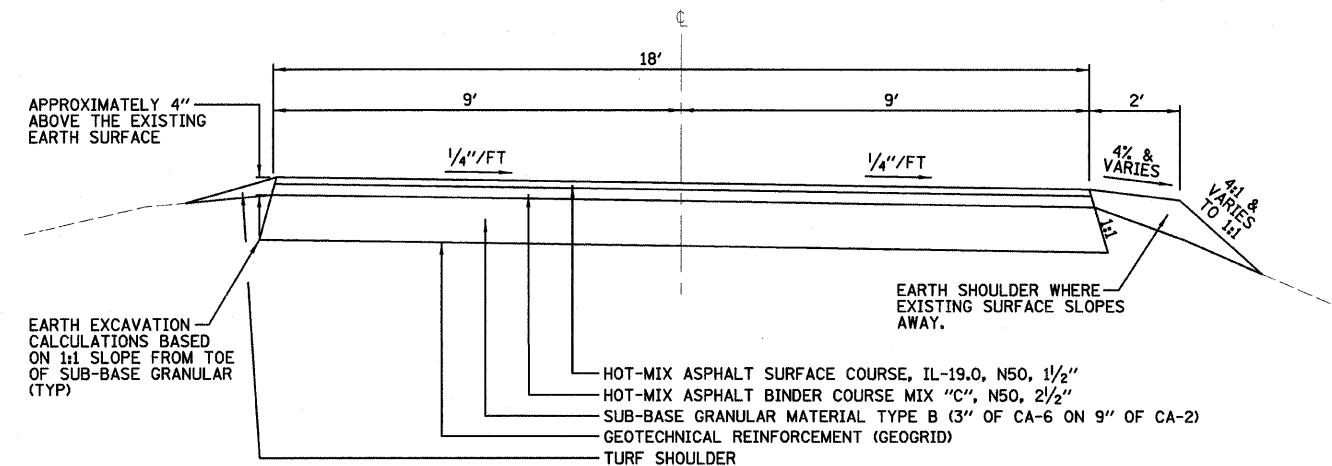
PROPOSED TYPICAL SECTION

TYPICAL RECONSTRUCTION SECTION
STA 10+54.59, LT & RT TO STA 21+50, LT & RT
STA 39+15, LT & RT TO STA 41+00, LT & RT



PROPOSED TYPICAL SECTION

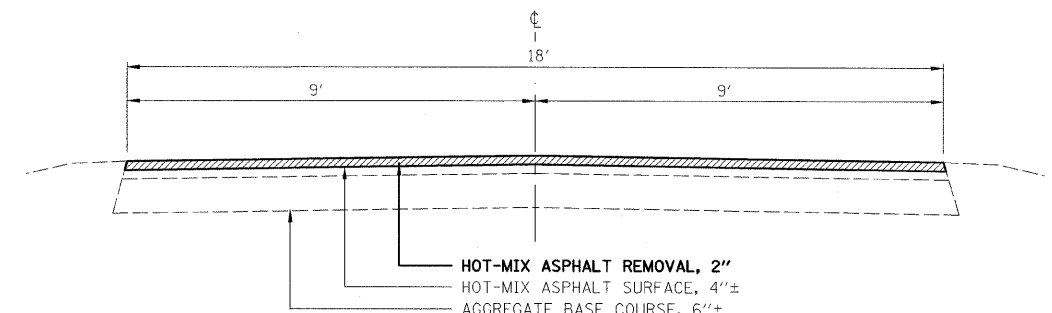
STA 7+84.80 TO STA 10+54.59



PROPOSED TYPICAL SECTION

TYPICAL RECONSTRUCTION SECTION
STA 21+50, LT TO STA 25+47, LT
STA 21+50, RT TO STA 22+69, RT
STA 25+50, RT TO STA 39+15, RT
STA 27+47, LT TO STA 39+15, LT

NOTE:
HOT-MIX ASPHALT SURFACE COURSE 2" CONTINUES FROM STA 39+15, LT & RT TO STA 41+00, LT & RT AS SHOWN FOR THE BUTT JOINT AND AT THE SOUTH ENTRANCE FROM STA 7+84.80, LT & RT TO STA 10+54.50, LT & RT.



PROPOSED TYPICAL SECTION

STA 39+15 TO STA 41+00

THE FOLLOWING MIXTURE REQUIREMENTS ARE APPLICABLE FOR THIS PROJECT

MIXTURE USE(S):	HOT-MIX ASPHALT SURFACE COURSE	HOT-MIX ASPHALT BINDER COURSE
PG	58-22	58-22
DESIGN AIR VOIDS	3.0% @ N50 DESIGN	3.0% @ N50 DESIGN
MIXTURE COMPOSITION (GRADATION MIXTURE)	IL 9.5 OR IL 12.5	IL 19.0
FRICTION AGGREGATE	MIX C	N/A
TRAFFIC FACTOR	< 0.1	< 0.1

DESIGNED - LAW	REVISED - 01/14/11
DRAWN - DRR	REVISED -
CHECKED - PJM	REVISED -
DATE - 10/29/10	REVISED -

STATE OF ILLINOIS
DEPARTMENT OF TRANSPORTATION
DIVISION OF HIGHWAYS

TYPICAL SECTIONS

SCALE: SHEET NO. 3 OF 36 SHEETS STA. TO STA.

IDOT/IDNR STATEWIDE
MISSISSIPPI PALISADES STATE PARK
SOUTH SLOPE ROAD

F.A.	SECTION	COUNTY	TOTAL SHEETS	SHEET NO.
	SOUTH SLOPE ROAD	CARROLL	36	3
CONTRACT NO. 46166				
FED. ROAD DIST. NO.		ILLINOIS FED. AID PROJECT		

FARNSWORTH GROUP, INC.

CONSULTING ENGINEERS - 2709 MCGRAW DRIVE BLOOMINGTON, ILLINOIS 61704 (309) 663-8435 / (309) 663-1571 FAX

REVISED 02/09/10 DRR; 01/26/11 DRR 24-8373