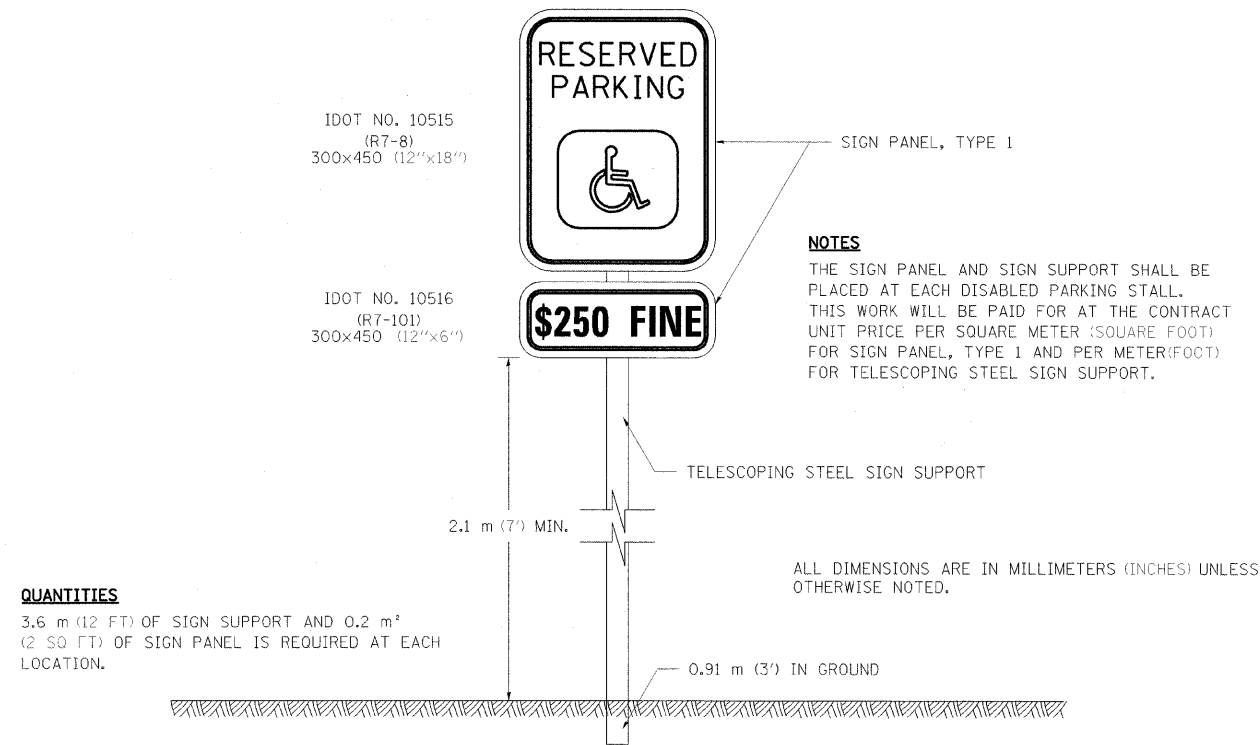
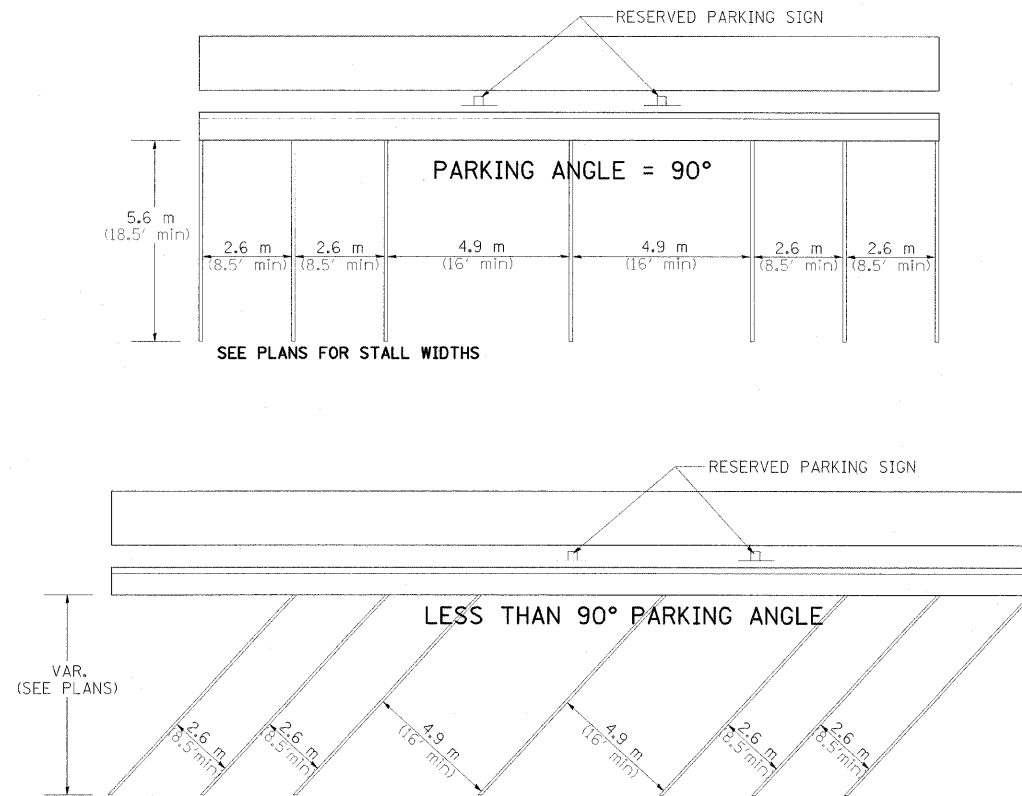


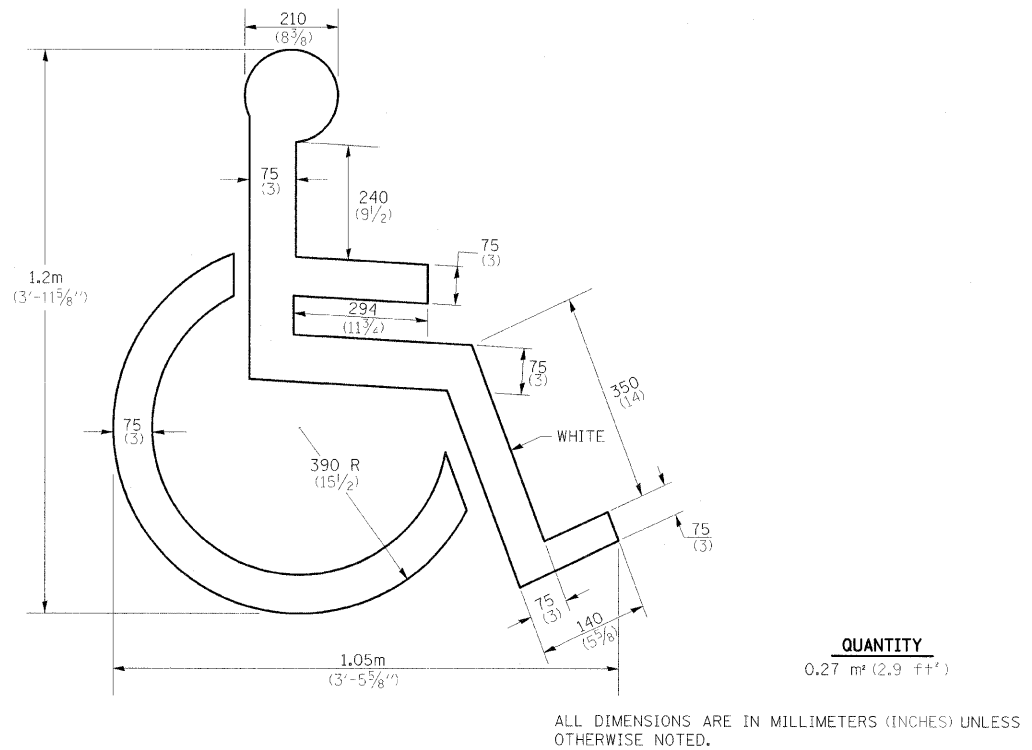
RESERVED PARKING SIGN DETAIL



DISABLED PARKING STRIPING



DISABLED SYMBOL



DESIGNED - LAW	REVISED - 01/14/11
DRAWN - DRR	REVISED -
CHECKED - PJM	REVISED -
DATE - 10/29/10	REVISED -

STATE OF ILLINOIS
 DEPARTMENT OF TRANSPORTATION
 DIVISION OF HIGHWAYS

DISTRICT DETAILS

SCALE: SHEET NO. 19 OF 36 SHEETS STA. TO STA.

IDOT/IDNR STATEWIDE
 MISSISSIPPI PALISADES STATE PARK
 SOUTH SLOPE ROAD

F.A.	SECTION	COUNTY	TOTAL SHEETS	SHEET NO.
	SOUTH SLOPE ROAD	CARROLL	36	19
CONTRACT NO. 46166				
FED. ROAD DIST. NO. ILLINOIS FED. AID PROJECT				