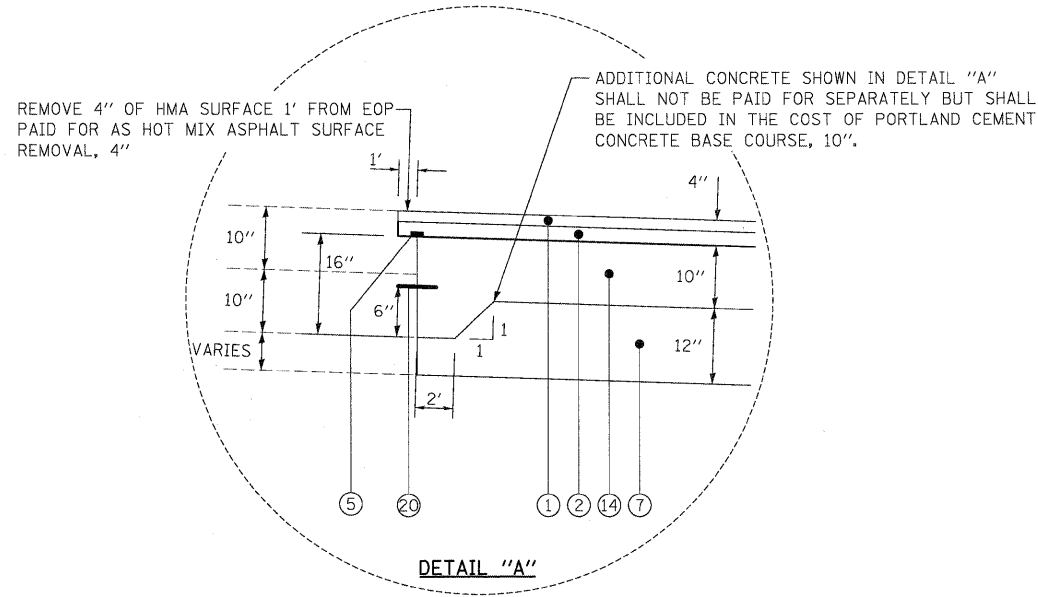


IF THE DISTANCE BETWEEN THE BOTTOM OF THE PROPOSED AGGREGATE SUBGRADE AND THE TOP OF BEDROCK IS 18" OR LESS, THE EXISTING MATERIAL SHALL BE REMOVED DOWN TO THE BEDROCK AND REPLACED WITH PGE
 SEE CROSS SECTIONS AND SCHEDULES FOR LOCATIONS

PGE ABOVE BEDROCK DETAIL



DETAIL "A"

EXISTING LEGEND

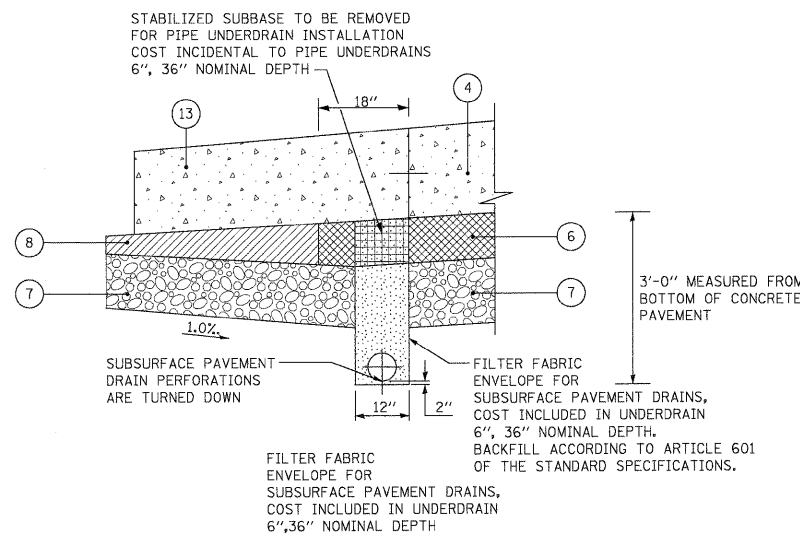
- (A) EXISTING PORTLAND CEMENT CONCRETE PAVEMENT
- (B) EXISTING HMA SUB-BASE
- (C) EXISTING AGGREGATE SUBGRADE
- (D) EXISTING CONCRETE SHOULDER
- (E) EXISTING CURB & GUTTER
- (F) EXISTING PIPE UNDERDRAIN
- (G) EXISTING SUB-BASE GRANULAR MATERIAL
- (H) EXISTING AGGREGATE SHOULDER
- (I) EXISTING BITUMINOUS CONCRETE OVERLAY, 3" AND 10"
- (J) EXISTING HMA OVERLAY, 4"±
- (K) EXISTING HMA PAVEMENT
- (L) EXISTING HMA SHOULDER
- (M) EXISTING BITUMINOUS CONCRETE SHOULDER
- (N) EXISTING GROUND OR BASE COURSE, VARIES
- (O) EXISTING TEMPORARY CONCRETE BARRIER

PROPOSED LEGEND

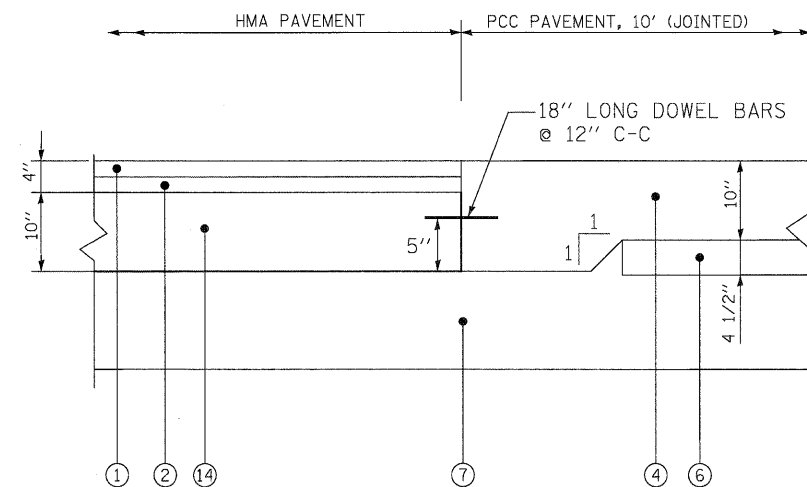
- (1) HOT-MIX ASPHALT SURFACE COURSE. MIX "D", N70, 1.75"
- (2) HOT-MIX ASPHALT BINDER COURSE, IL-19.0, N70, 2.25"
- (3) HOT-MIX ASPHALT SHOULDERS, 10" (IN 3 LIFTS)
- (4) PORTLAND CEMENT CONCRETE PAVEMENT 10" (JOINTED)
- (5) STRIP REFLECTIVE CRACK CONTROL TREATMENT
- (6) STABILIZED SUB-BASE - HOT MIX ASPHALT, 4 1/2"
- (7) AGGREGATE SUBGRADE 12"
- (8) SUB-BASE GRANULAR MATERIAL, TYPE B
- (9) BITUMINOUS MATERIALS (PRIME COAT)
- (10) AGGREGATE (PRIME COAT)
- (11) AGGREGATE SHOULDERS, TYPE B 8"
- (12) AGGREGATE SHOULDERS, TYPE B 10"
- (13) PORTLAND CEMENT CONCRETE SHOULDERS 10"
- (14) PORTLAND CEMENT CONCRETE BASE COURSE 10"
- (15) PIPE UNDERDRAINS 6", 36" NOMINAL DEPTH
- (16) CONCRETE BARRIER, VARIABLE CROSS-SECTION, VARIABLE HEIGHT (SEE PLANS FOR EXACT TYPE)
- (17) CONCRETE BARRIER BASE (SEE PLANS FOR EXACT TYPE)
- (18) COMBINATION CONCRETE CURB AND GUTTER, TYPE B-6.24
- (19) CONCRETE MEDIAN SURFACE, 4" (INCLUDES 4" COARSE AGGREGATE FILL)
- (20) DRILL AND GROUT NO. 8 TIE BARS AT 24" CTS.
- (21) LONGITUDINAL CONSTRUCTION JOINT NO. 8 x 24" TIE BARS AT 24" CTS.
- (22) LONGITUDINAL SAWED JOINT NO. 6 x 36" TIE BARS AT 18" CTS.
- (23) NO. 8 TIE BARS AT 24" CTS.
- (24) TOPSOIL FURNISH AND PLACE, 4"
- (25) PROPOSED EMBANKMENT
- (26) PROPOSED DRAINAGE DITCH

UNSUITABLE EXCAVATION

TOPSOIL SHALL BE PLACED ONLY IN LOCATIONS OF PERMANENT SEEDING. SEE LANDSCAPE PLAN FOR LIMITS/LOCATIONS.



PIPE UNDERDRAIN 6', 36" NOMINAL DEPTH DETAIL



NOTE: ADDITIONAL CONCRETE SHOWN IN JOINT DETAIL SHALL NOT BE PAID FOR SEPARATELY BUT THE COST SHALL BE INCLUDED IN THE PAY ITEM PORTLAND CEMENT CONCRETE, 10" (JOINTED)

HMA PAVEMENT TO PCC PAVEMENT DETAIL

FILE NAME = D160F12-SHT-TYPICAL10.dgn	USER NAME = TKluagel	DESIGNED - MJT	REVISED -
		DRAWN - MJT	REVISED -
		CHECKED - DLT	REVISED -
		DATE - 2/4/11	REVISED -

F.A.I. RTE.	SECTION	COUNTY	TOTAL SHEETS	SHEET NO.
55	99-2HB-28-1	WILL	756	25
FED. ROAD DIST. NO. 1 ILLINOIS FED. AID PROJECT			CONTRACT NO. 60F12	