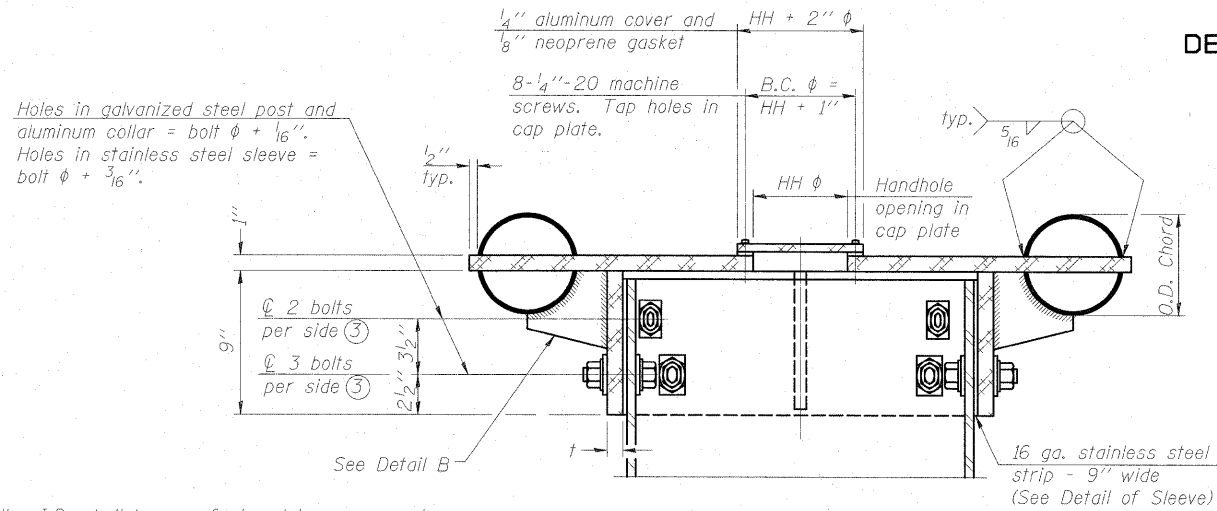


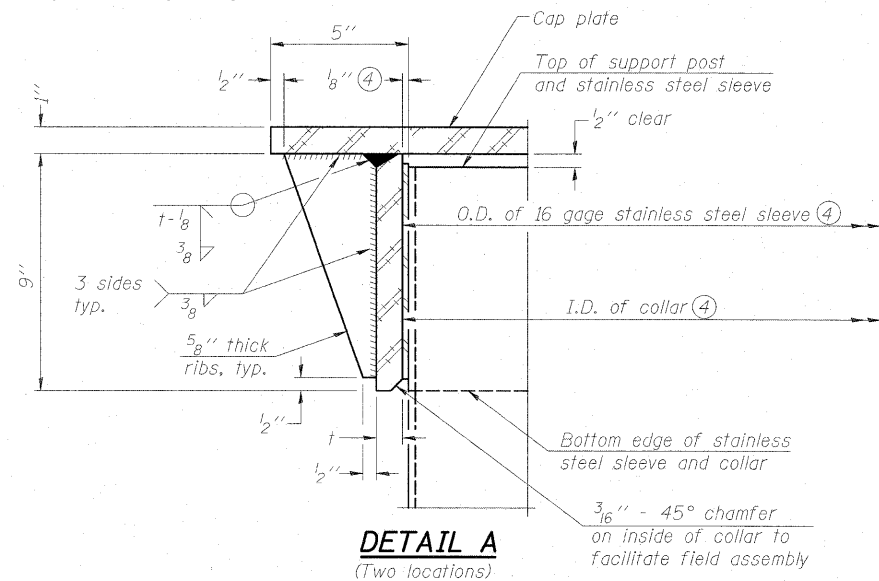
STATE OF ILLINOIS
DEPARTMENT OF TRANSPORTATION



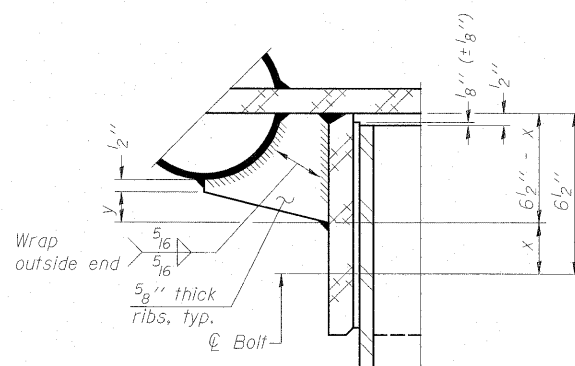
④ Collar I.D. shall be manufactured to correspond to O.D. of actual galvanized post and stainless steel sleeve plus 1/8" (±1/16"). Maximum gap between post and collar at any location equals 1/8" before tightening bolts.

SECTION B-B

Bolts, washers (including contoured washers), and locknuts shall be stainless steel.

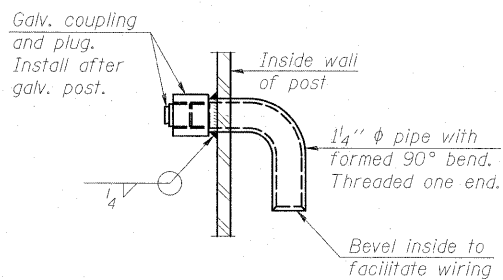


DETAIL A
(Two locations)

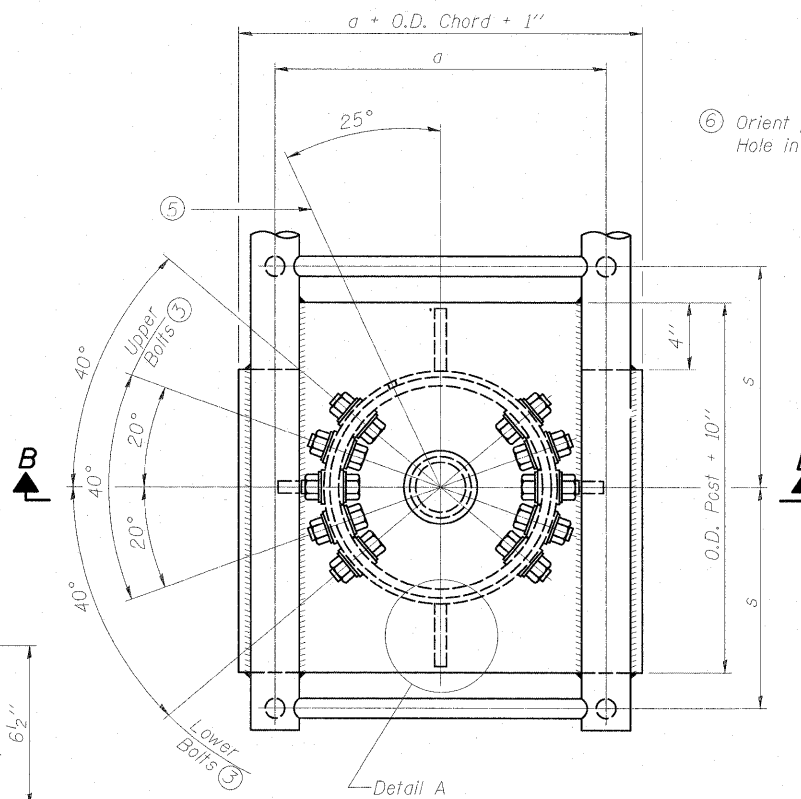


DETAIL B

Two locations
(For details not shown, see Detail C)

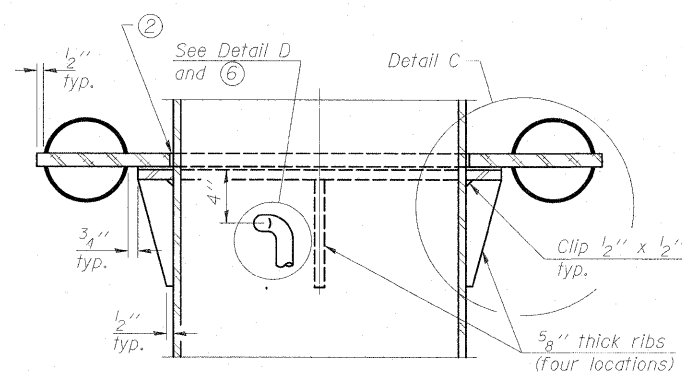


DETAIL D

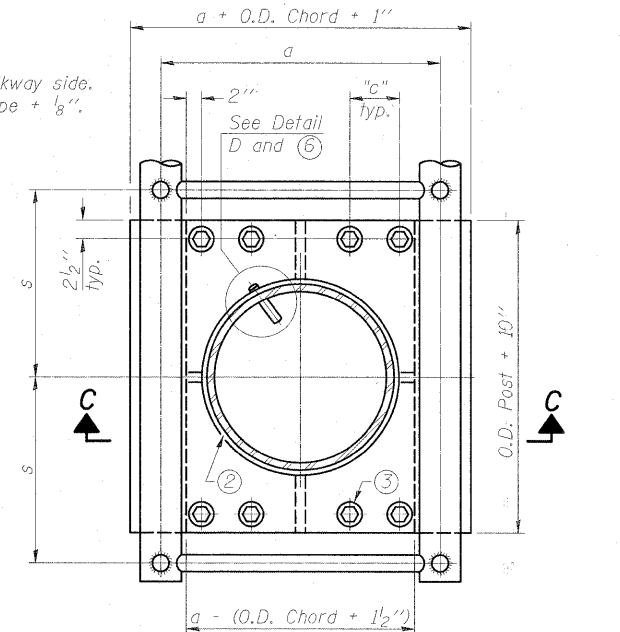


PLAN VIEW - TOP OF COLUMN

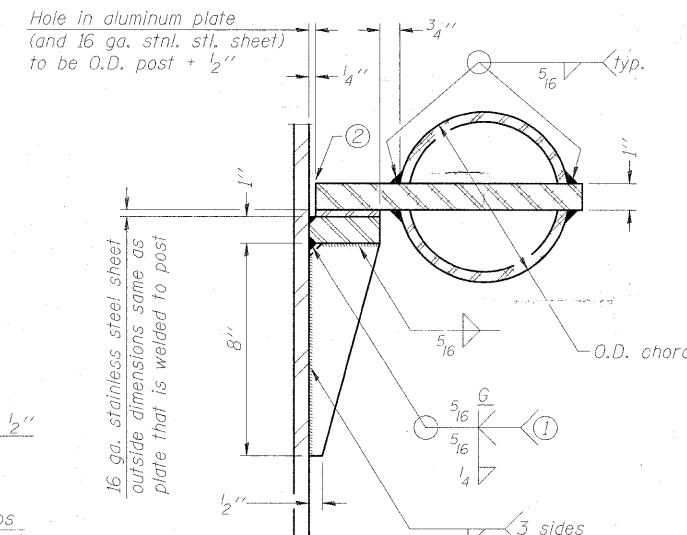
⑤ Optional full penetration weld in collar.
(Two locations maximum... (180° apart)... X-ray or UT 100%)



SECTION C-C



SECTION THRU POST ABOVE LOWER CHORDS



DETAIL C

- ① Grind top if required to fully seat aluminum plate and stainless steel sheet.
- ② After tightening lower connection bolts, fill gap with non-hardening, silicone caulk suitable for exterior exposure and acceptable to the Engineer. Cost is included in Overhead Sign Structure Cantilever.

CONTOURED WASHERS

Bolt Size	Contoured Washers	
	Hole Dia.	B
7/8"	1"	2 1/2"
1"	1 1/8"	3"
1 1/4"	1 3/8"	3 1/4"

DETAIL OF STAINLESS STEEL SLEEVE

Weld to post after galvanizing.
(Prepare post surface to insure tight, uniform fit and allow welding.)
Welds to be 1/2" long at 6" cts. along top edge and at 1/4" opening.

Truss Type	Post Size	Upper & Lower Connection Bolt Diameter ③	Lower Juncture Bolt Spacing Dimension "c" ③	Opening in Cap Plate "HH"	Collar Thickness (t)	Side Ribs	
						x	y
I-C-A	16" φ (83#/#)	7/8"	3 1/4"	8"	5/8"	1 3/4"	2 1/4"
II-C-A	24" φ (125#/#)	1"	3 1/2"	12"	7/8"	2"	1 1/4"
III-C-A (35' max.)	24" φ (125#/#)	1 1/4"	3 1/2"	12"	7/8"	2"	1"
III-C-A (>35' to 40')	24" φ (171#/#)	1 1/4"	3 1/2"	12"	7/8"	2"	1"

③ Upper and lower connection bolts in collar and bolts at lower chord connection shall be high strength with matching locknuts. Connection bolts shall have 2 stainless steel flat washers each.



McDonough Associates Inc.
Engineers / Architects
130 East Randolph Street
Chicago, Illinois 60601
(312) 946-8600

DESIGNED	
CHECKED	
DRAWN	
CHECKED	

OSC-A-3

12-1-08

NUMBER	REVISION	DATE

SHEET NO. SD-16 SHEETS	F.A.I. RTE.	SECTION	COUNTY	TOTAL SHEETS	SHEET NO.
	55	(99-1&2) R-6	WILL	756	320
CONTRACT NO. 60F12			FED. ROAD DIST. NO. ILLINOIS FED. AID PROJECT		

CANTILEVER SIGN STRUCTURES
JUNCTURE DETAILS
ALUMINIUM TRUSS & STEEL POST
F.A.I. RT. 55 - SEC. (99-1&2)R-6
WILL COUNTY