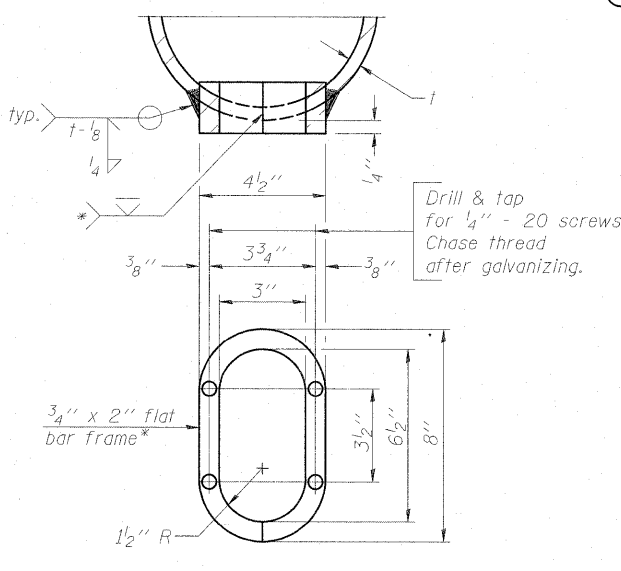
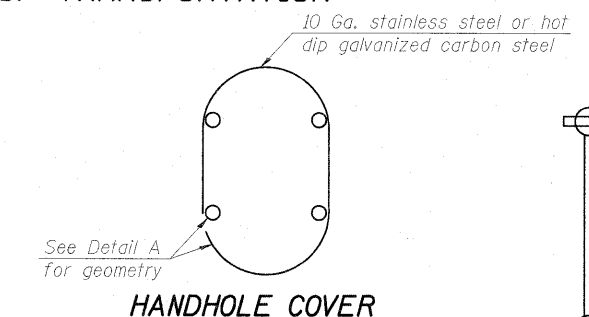
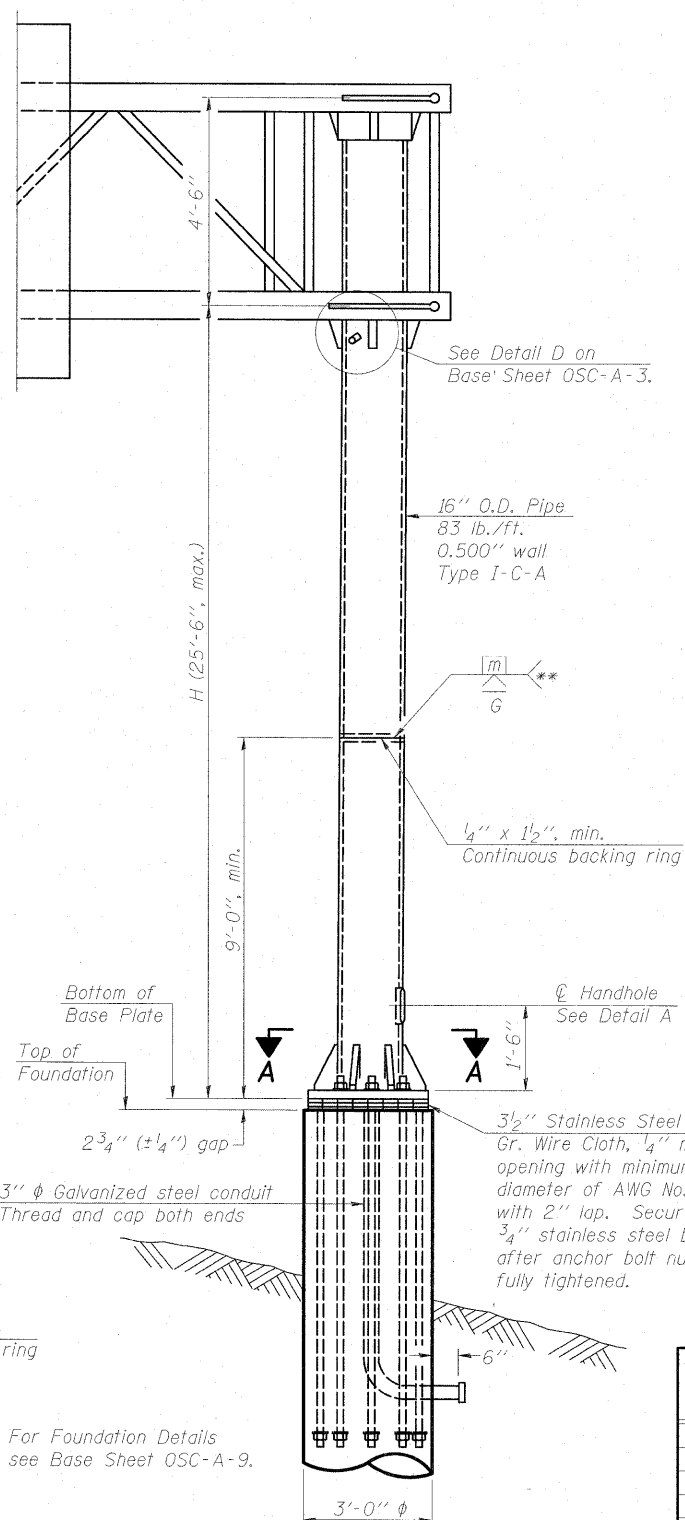
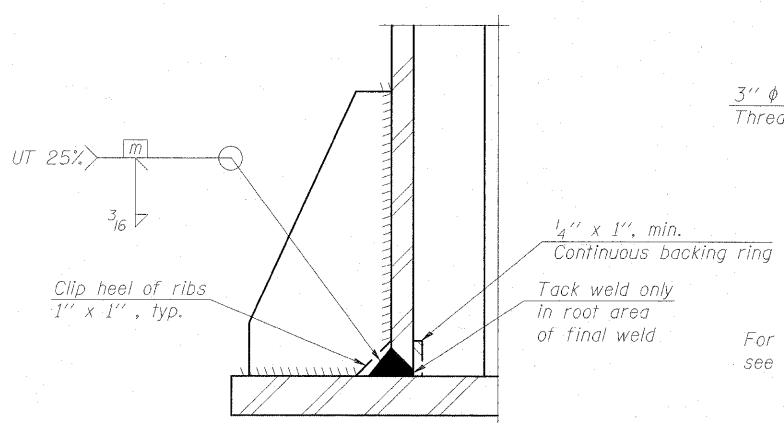
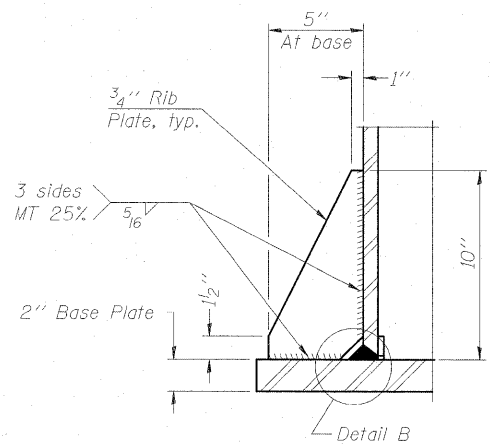
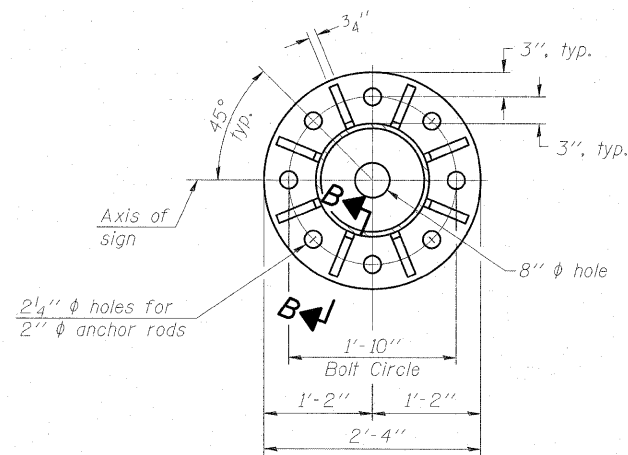


STATE OF ILLINOIS
DEPARTMENT OF TRANSPORTATION

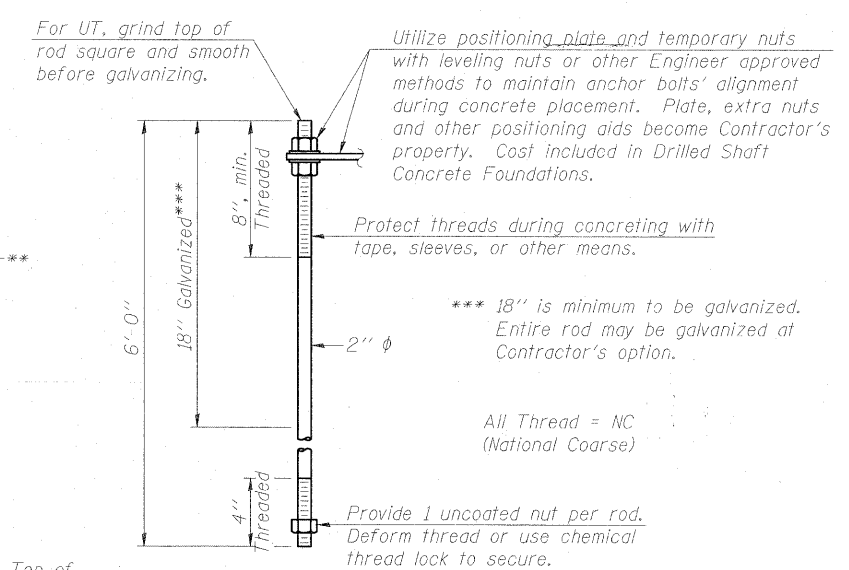
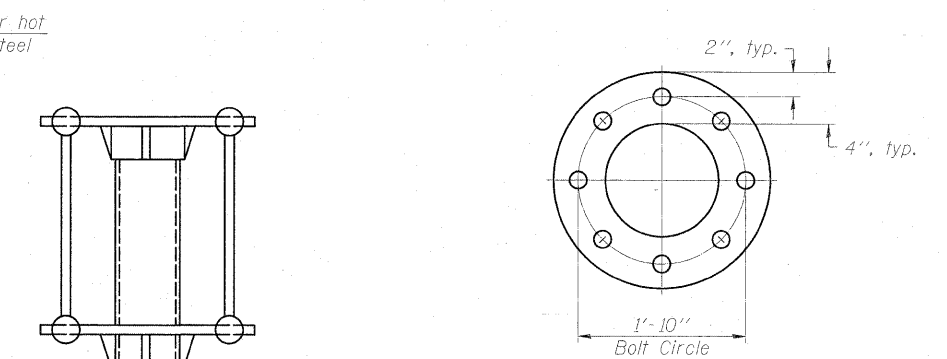


Provide 8" x 4 1/2" cover. Outside corners = 2 1/4" radius. Provide 4 - 5/16" φ holes in cover for 1/4" - 20 round head hot dip galvanized or stainless steel machine screws. (See cover details.)

- * Bent bars may be butt welded top and bottom or bottom only. In lieu of fabricated handhole frame as shown, may cut from 2" plate (rolling direction vertical). All cut faces to be ground to ANSI Roughness of 500 μin or less.
- ** Butt welded joint in post is only allowed for post heights (H) over 20 ft. in length. If used, weld procedure must be preapproved by Engineer and joint shall receive 100% RT or UT (tension criteria) at Contractor's expense.

Structure Number	Station	H
1C099L017R244.5	907+05 LT	20'-7 1/8"

Note: "H" based on 15'-0" or actual sign height, whichever is greater.



Anchor rods shall conform to AASHTO M314 Grade 105 and meet Charpy V-Notch (CVN) energy of 15 lb.-ft. at 10° F. before galvanizing. Galvanize the upper 18" (minimum***) and associated M291, Grade A, C or DH heavy hex nuts and hardened washers per AASHTO M232. No welding shall be permitted on rods. Provide an unfinished nut at bottom, a hexagon locknut and washer above base plate and a leveling nut and washer below base plate. Nuts shall each be tightened with 200 lb.-ft. minimum torque against base plate. Before or after threading, but before galvanizing, each anchor rod shall be ultrasonically tested (UT) by a Level II or III inspector, qualified in accord with ANSI guidelines, using a straight beam, 1/2" φ 3.5 mhz. transducer, to insure no rejectable flaws exist in the upper 18" (tension criteria). Cost of testing included in Drilled Shaft Concrete Foundations.

CANTILEVER SIGN STRUCTURES
TYPE I-C-A TRUSS SUPPORT POST
ALUMINUM TRUSS & STEEL POST
F.A.I. RT. 55 - SEC. (99-1&2)R-6
WILL COUNTY

DESIGNED
CHECKED
DRAWN
CHECKED

OSC-A-4 12-1-08

NUMBER	REVISION	DATE

McDonough Associates Inc.
Engineers / Architects

130 East Randolph Street
Chicago, Illinois 60601
(312) 946-8600

SHEET NO. SD-17 SHEETS	F.A.I. RTE.	SECTION	COUNTY	TOTAL SHEETS	SHEET NO.
	55	(99-1&2) R-6	WILL	756	321
FED. ROAD DIST. NO.			ILLINOIS FED. AID PROJECT		
CONTRACT NO. 60F12					