

STATE OF ILLINOIS  
DEPARTMENT OF TRANSPORTATION

**BILL OF MATERIAL**

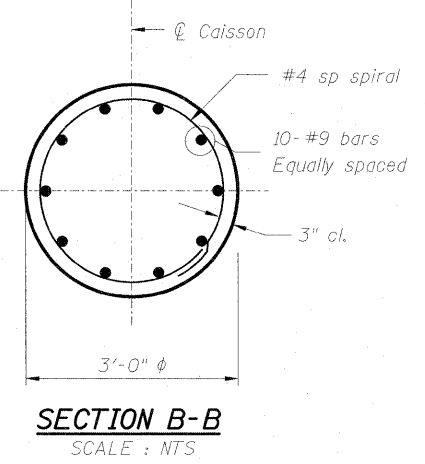
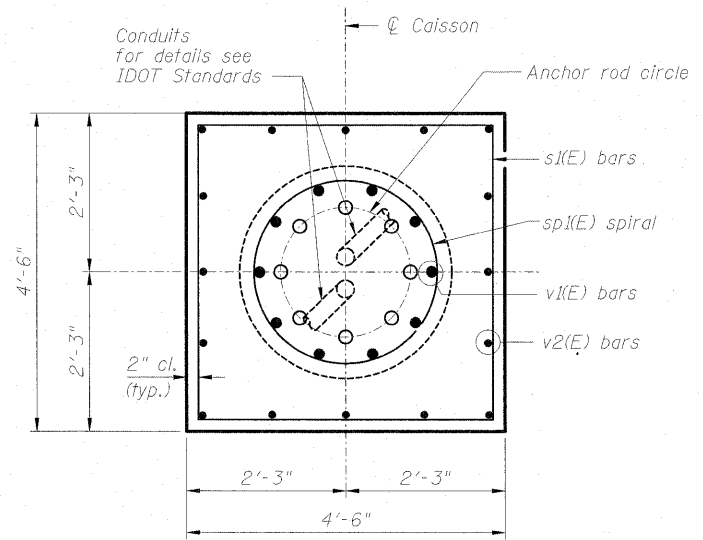
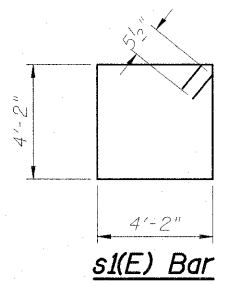
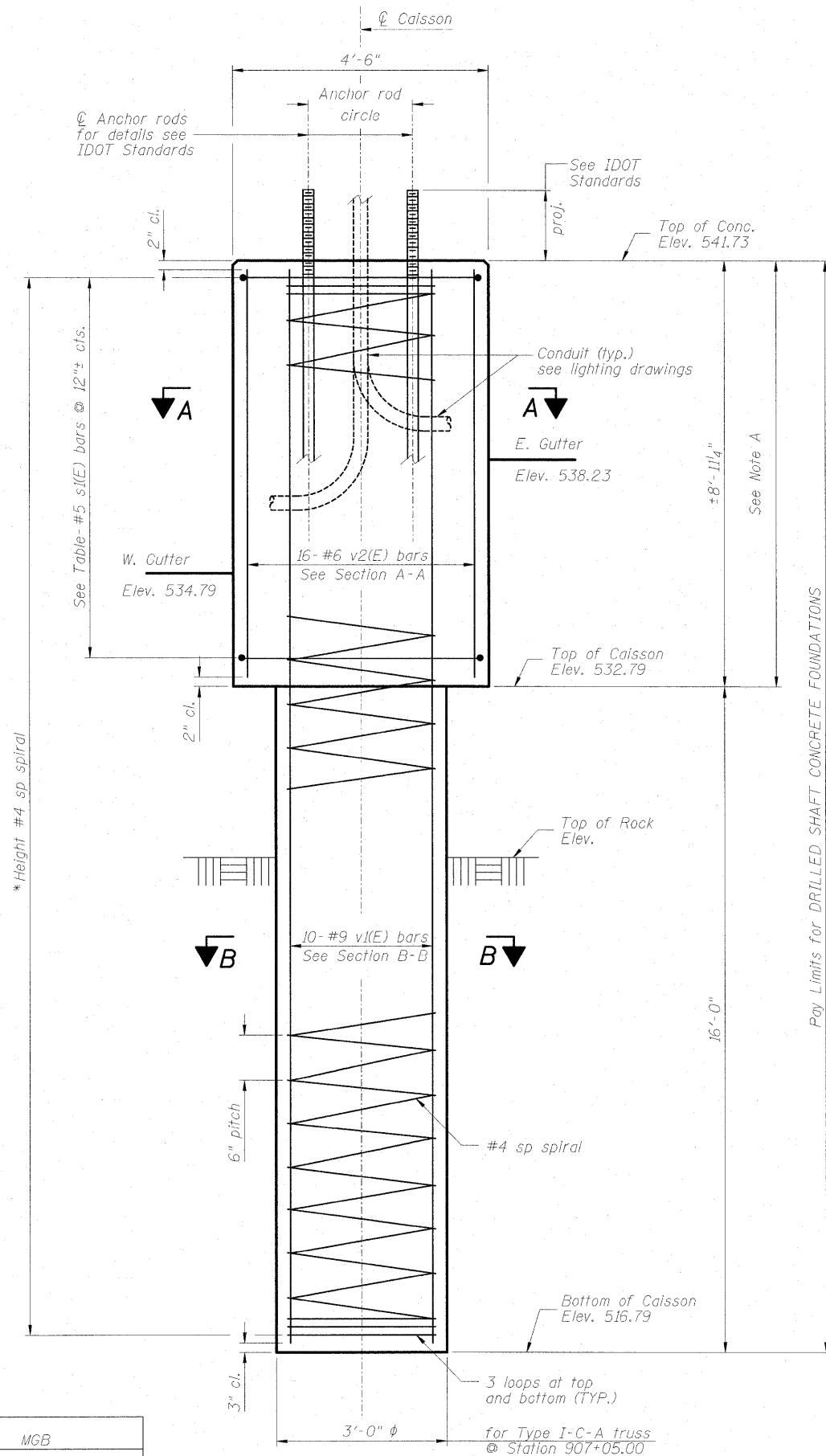
STR NO: IC099L017R244.5				
Bar	No.	Size	Length	Shape
sp1(E)	1	#4	*24'-6 1/4"	WWM
s1(E)	10	#5	17'-7"	□
v1(E)	10	#9	24'-6 1/4"	—
v2(E)	16	#6	8'-7 1/4"	—

\* Length is height of spiral.

Structure Number	Top of Rock Elev.	Rock Excavation cu yd.
IC099I055R243.6	518.75	5.0
IC099I 017R244.5	530.90	4.0
IC099I055R244.5	530.50	5.0
IC099I055R245.0	539.40	5.0

NOTE "A":

The Concrete, Reinforcement bars & Formwork Will be paid for under the item DRILLED SHAFT CONCRETE FOUNDATIONS.



DESIGNED	MGB
CHECKED	
DRAWN	MGB
CHECKED	

**McDonough Associates Inc.**  
Engineers / Architects  
130 East Randolph Street  
Chicago, Illinois 60601  
(312) 946-8600

SHEET NO. SD-26 SHEET	F.A.I. RTE.	SECTION	COUNTY	TOTAL SHEETS	SHEET NO.
	55	(99-1&2) R-6	WILL	756	330
	CONTRACT NO. 60F12				
FED. ROAD DIST. NO.		ILLINOIS FED. AID PROJECT			

**SIGN STRUCTURE FOUNDATION  
DETAILS**