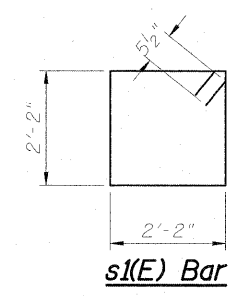
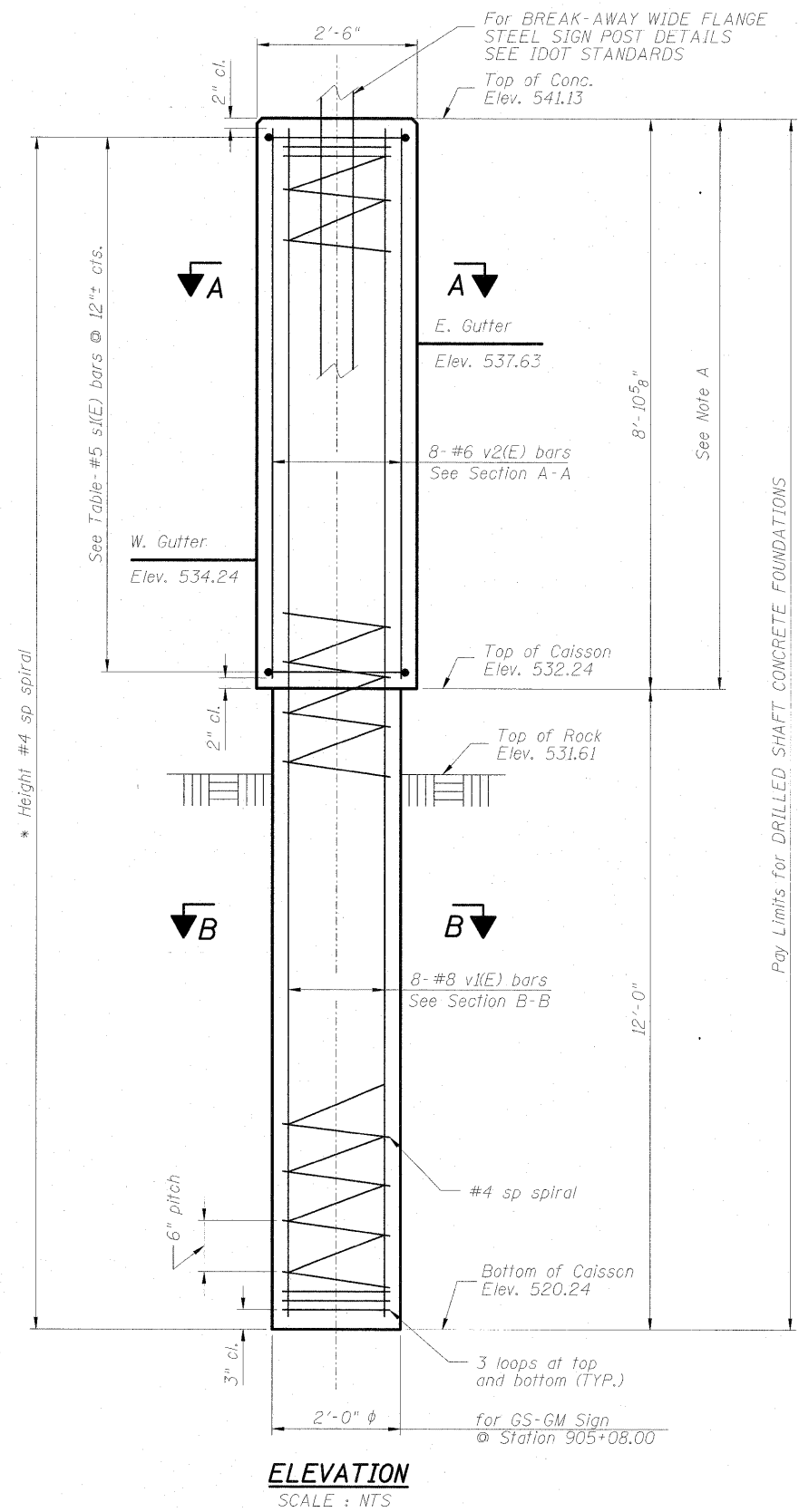
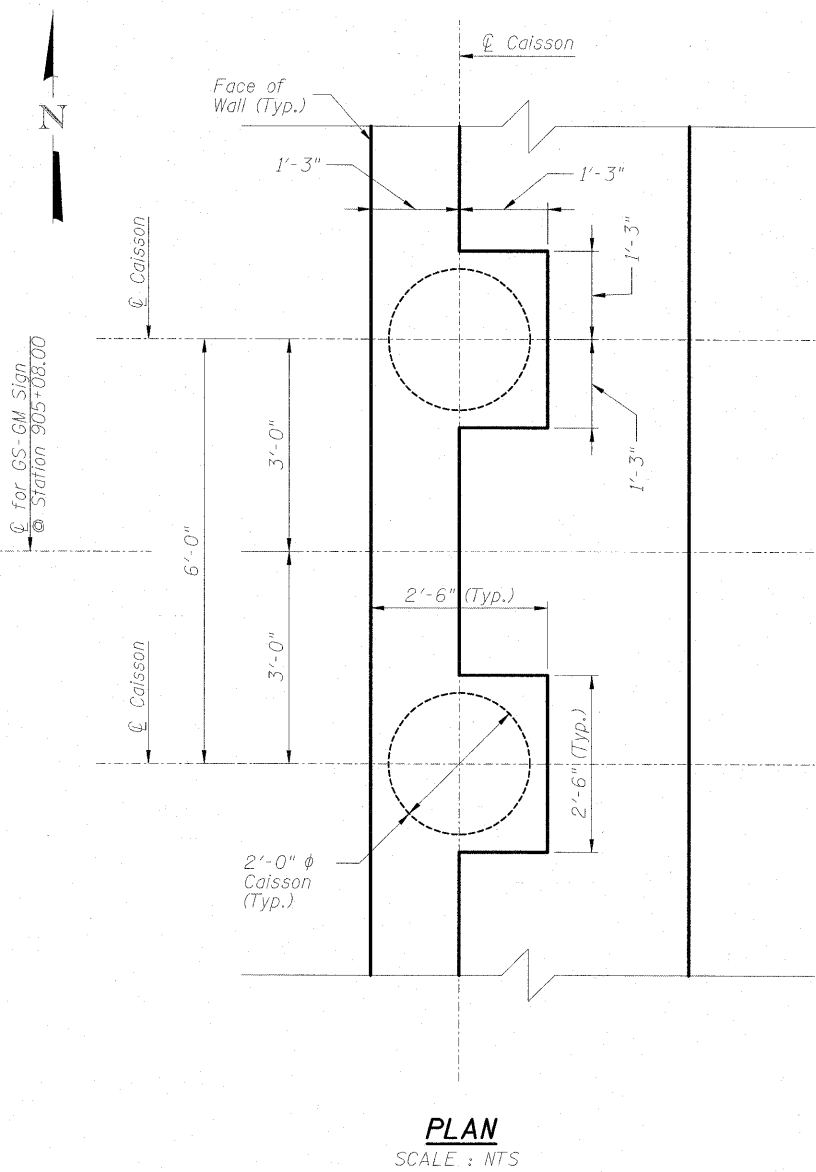


STATE OF ILLINOIS
DEPARTMENT OF TRANSPORTATION

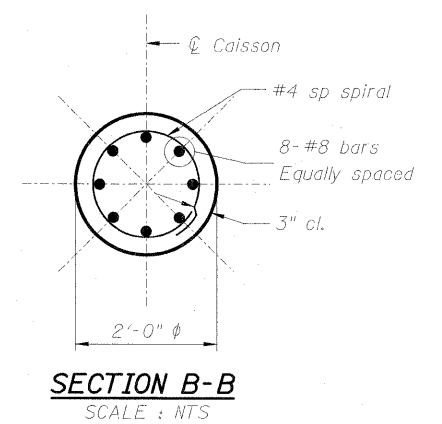
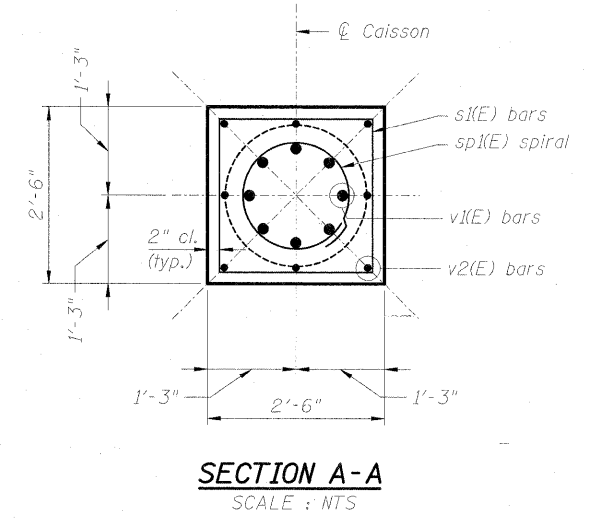


BILL OF MATERIAL

For GS-GM Sign				
Bar	No.	Size	Length	Shape
sp1(E)	2	#4	*20'-5"	WWM
s1(E)	20	#5	9'-7"	□
v1(E)	16	#8	20'-5"	—
v2(E)	16	#6	8'-6"	—

* Length is height of spiral.

Item	Unit	Total
Class DS Concrete	Cu. Yd.	3.6
Rock Excavation	Cu. Yd.	2.0



NOTE "A":
The Concrete, Reinforcement bars & Formwork Will be paid for under the item DRILLED SHAFT CONCRETE FOUNDATIONS.

SIGN STRUCTURE FOUNDATION
DETAILS

DESIGNED	MGB
CHECKED	
DRAWN	MGB
CHECKED	

McDonough Associates Inc.
Engineers / Architects
130 East Randolph Street
Chicago, Illinois 60601
(312) 946-8600

SHEET NO. SD-27 SHEET	F.A.I. RTE.	SECTION	COUNTY	TOTAL SHEETS	SHEET NO.
	55	(99-1&2) R-6	WILL	756	331
CONTRACT NO. 60F12					
FED. ROAD DIST. NO. ILLINOIS FED. AID PROJECT					