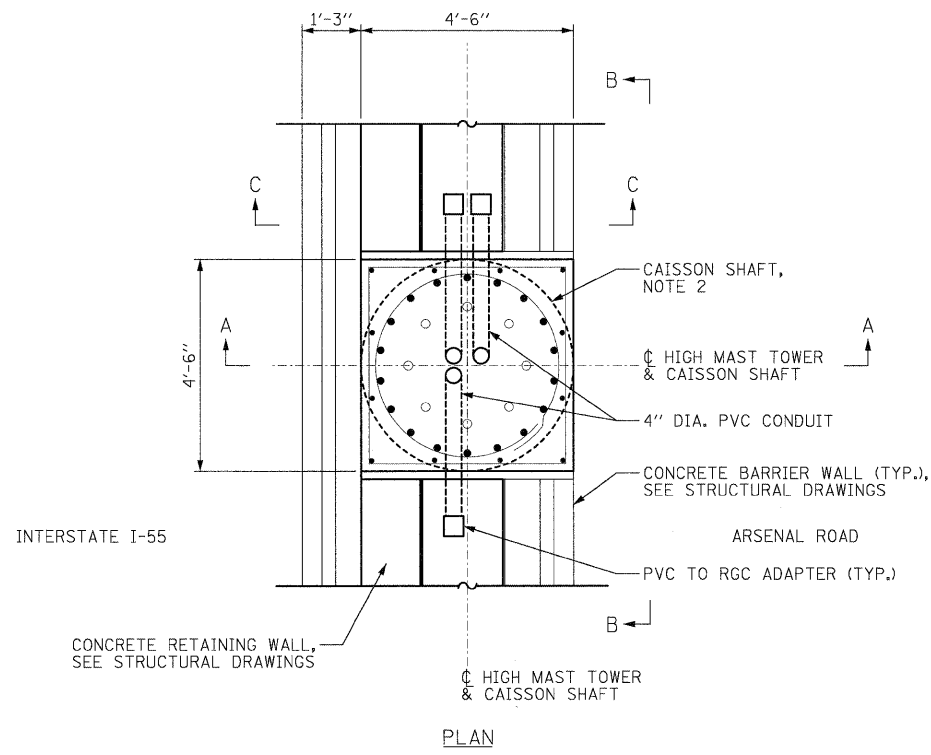
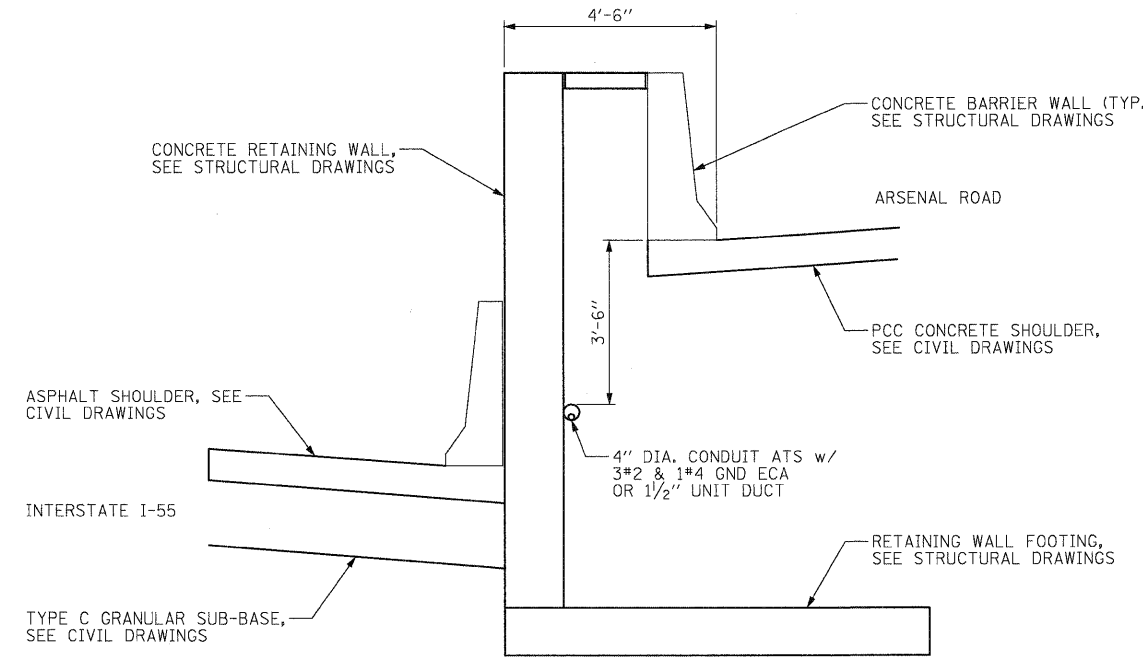


NOTES:

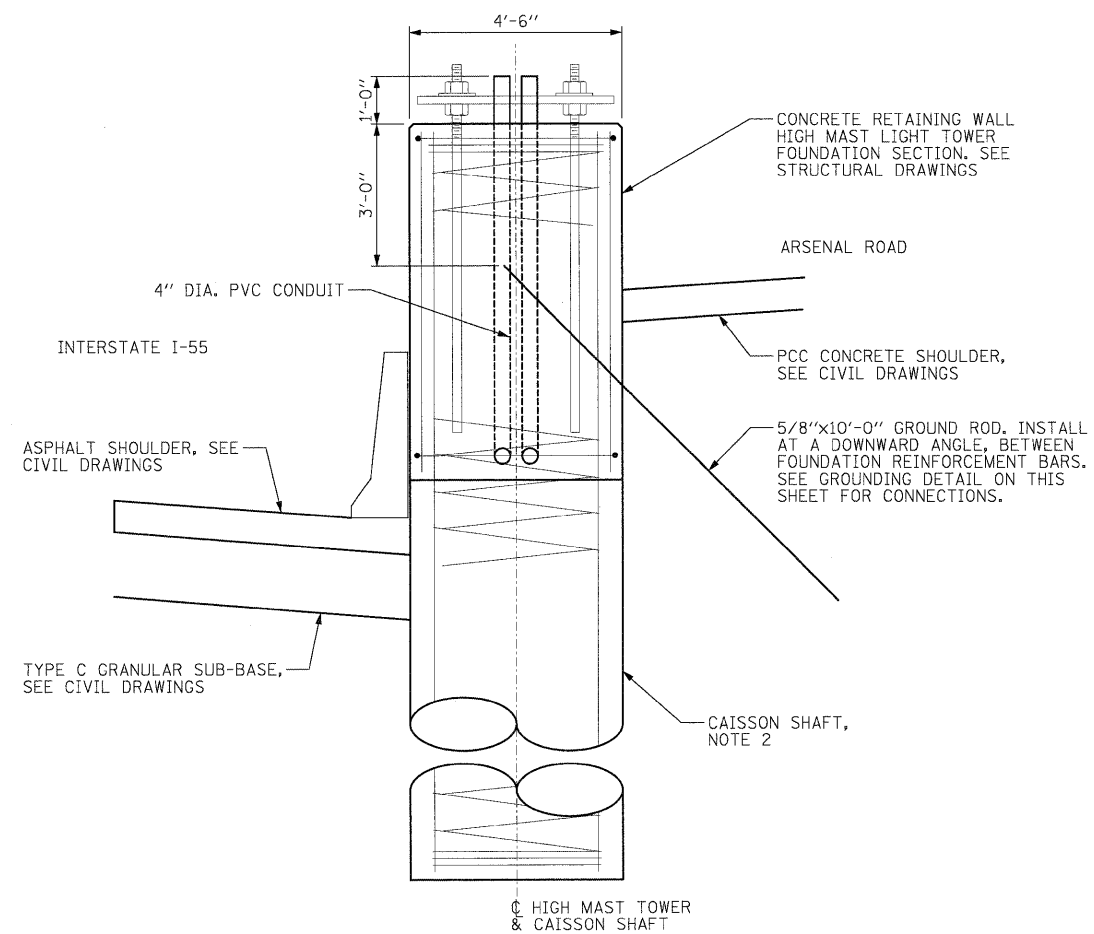
1. SEE DRAWING GE-1 FOR ELECTRICAL SYMBOL LIST AND ABBREVIATIONS. SEE DRAWING GE-2 FOR ELECTRICAL GENERAL NOTES AND SUGGESTED LIGHTING PHASING NOTES.
2. SEE DRAWING S-1 FOR WALL MOUNTED LIGHT TOWER FOUNDATION DETAILS.



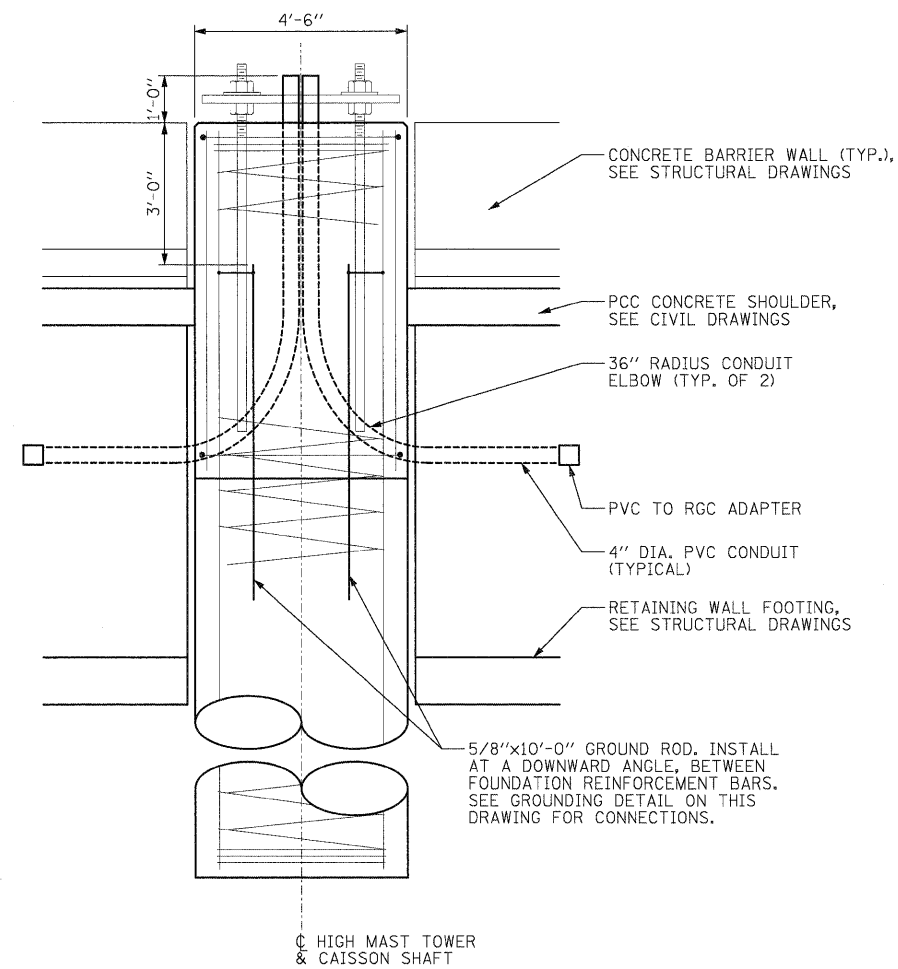
PLAN



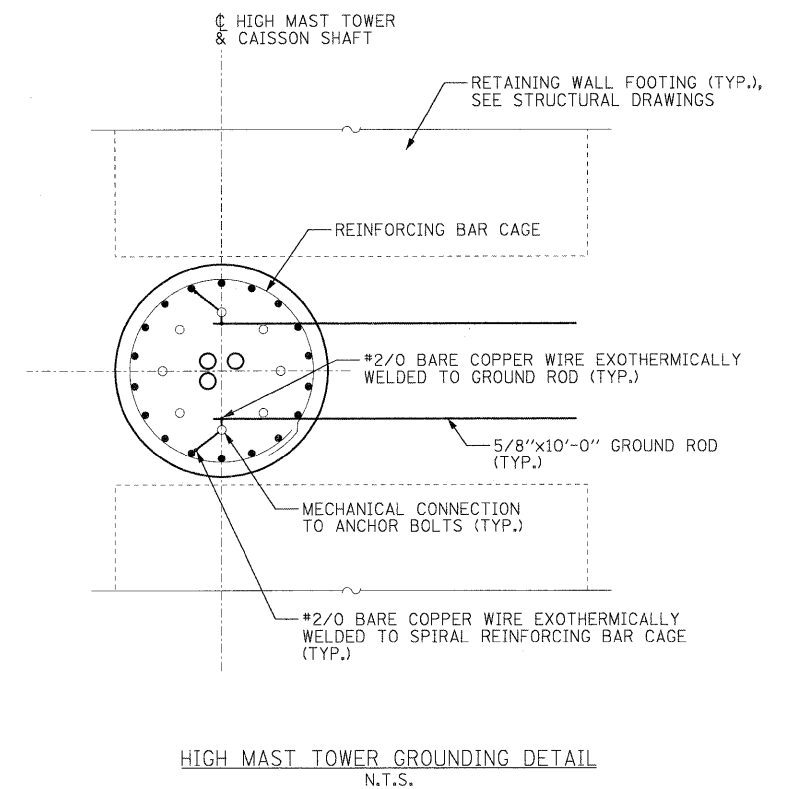
SECTION C-C



SECTION A-A



SECTION B-B



HIGH MAST TOWER GROUNDING DETAIL
N.T.S.

HIGH MAST TOWER FOUNDATION AT RETAINING WALL DETAIL
N.T.S.