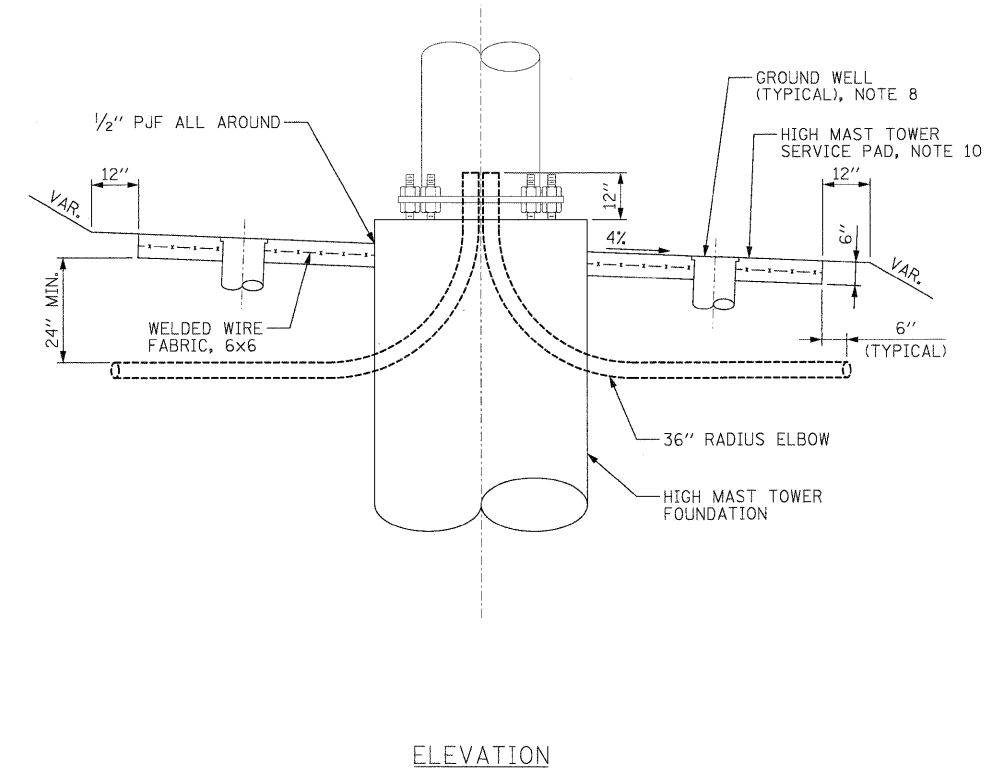
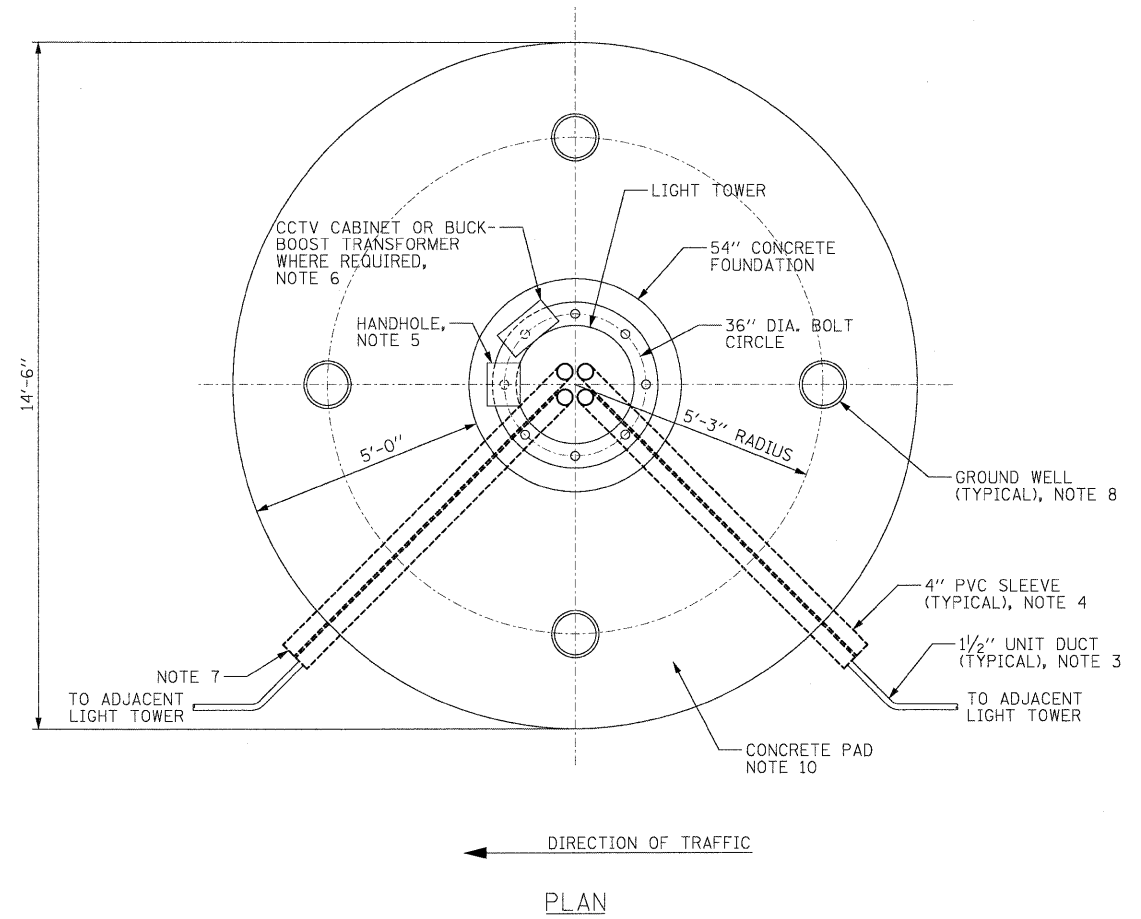


**NOTES:**

1. SEE DRAWING GE-1 FOR ELECTRICAL SYMBOL LIST AND ABBREVIATIONS. SEE DRAWING GE-2 FOR ELECTRICAL GENERAL NOTES AND SUGGESTED LIGHTING PHASING NOTES.
2. SEE DRAWING ED-9 FOR ADDITIONAL HIGH MAST LIGHT TOWER FOUNDATION AND GROUND WELL DETAILS.
3. SEE PLAN DRAWINGS FOR QUANTITY, SIZE, AND TYPE OF CONDUIT AND CIRCUITS ROUTED TO EACH HIGH MAST LIGHT TOWER FOUNDATION.
4. PVC SLEEVES MUST BE EXTENDED 6 INCHES BEYOND THE EDGE OF THE CONCRETE PAD.
5. THE HANDHOLE FOR THE HIGH MAST LIGHTING UNIT MUST BE ORIENTED SUCH THAT IT IS MOUNTED ON THE SIDE OF THE POLE THAT IS OPPOSITE THE DIRECTION OF TRAFFIC.
6. THE DETAIL REPRESENTS A HIGH MAST LIGHT TOWER WITH A CCTV CAMERA MOUNTED ON IT. THE DETAIL WITH NO CAMERAS IS SIMILAR.
7. PVC SLEEVE FOR CCTV CAMERA POWER FEED (FUTURE). ALL SLEEVES MUST BE CAPPED UNLESS NOTED OTHERWISE ON THE PLANS.
8. INSTALL GROUND WELLS 5'-3" AS MEASURED FROM THE CENTER LINE OF THE HIGH MAST TOWER TO THE CENTER LINE OF THE WELL.
9. SEE DRAWINGS S-4 AND S-5 FOR ADDITIONAL HIGH MAST LIGHT TOWER SERVICE PAD DETAILS.
10. SEE DRAWING S-3 FOR EXACT SERVICE PAD REQUIREMENTS FOR EACH HIGH MAST LIGHT TOWER.



GROUND MOUNTED HIGH MAST TOWER FOUNDATION DETAIL  
N.T.S.

**McDonough Associates Inc.**  
 Engineers / Architects  
 130 East Randolph Street, Chicago, Illinois 60601

FILE NAME = D:\60F12-SHT-ED-2.dgn	USER NAME = TKluegel	DESIGNED -	REVISED -	<b>STATE OF ILLINOIS DEPARTMENT OF TRANSPORTATION</b>	<b>I-55 AT ARSENAL ROAD CONDUIT INSTALLATION DETAILS FOR GROUND MOUNTED HIGH MAST LIGHT TOWERS</b>				F.A.I. RTE. 55	SECTION 99-2HB-2B-1	COUNTY WILL	TOTAL SHEETS 756	SHEET NO. 417
PLOT SCALE = 1:1	CHECKED -	DATE - 2/4/11	REVISED -		SCALE:	SHEET NO. OF SHEETS	STA. TO STA.	FED. ROAD DIST. NO. 1 ILLINOIS FED. AID PROJECT					
PLOT DATE = 2/3/2011	DATE -	REVISED -	REVISED -		CONTRACT NO. 60F12								