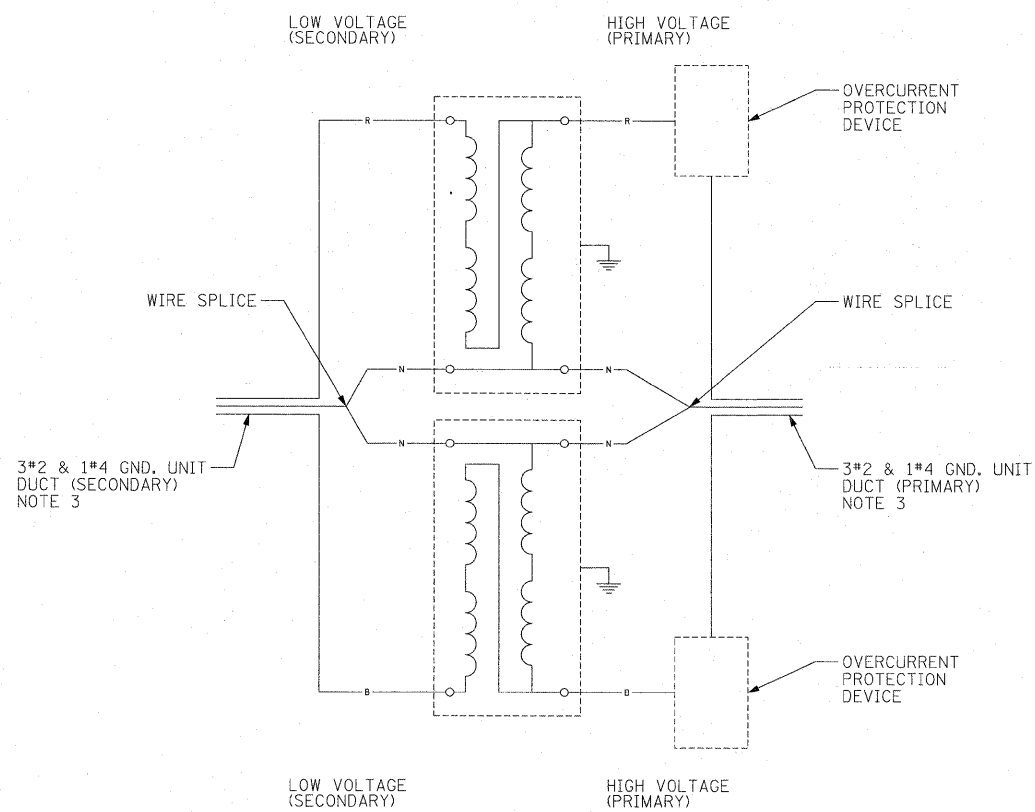
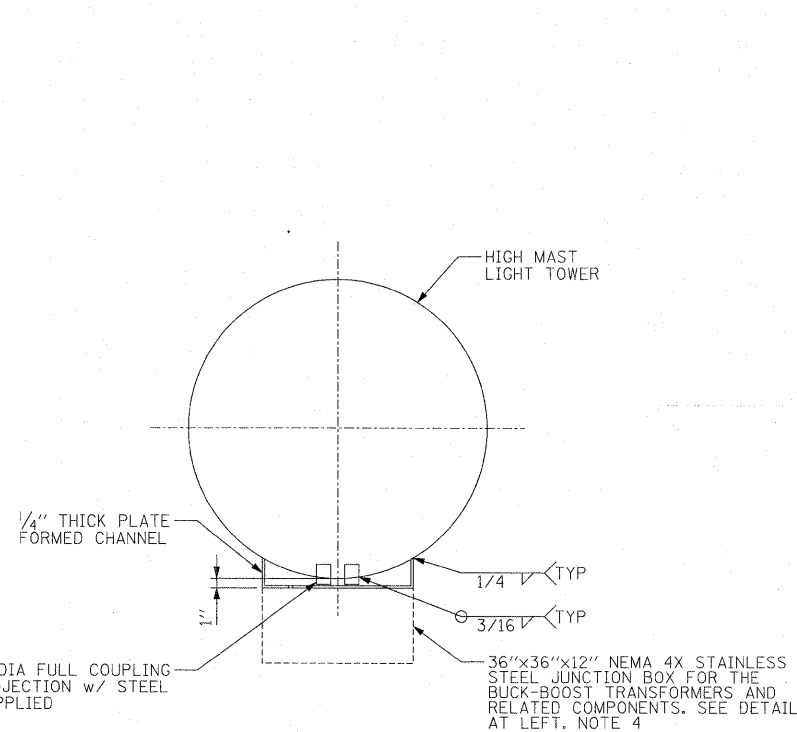


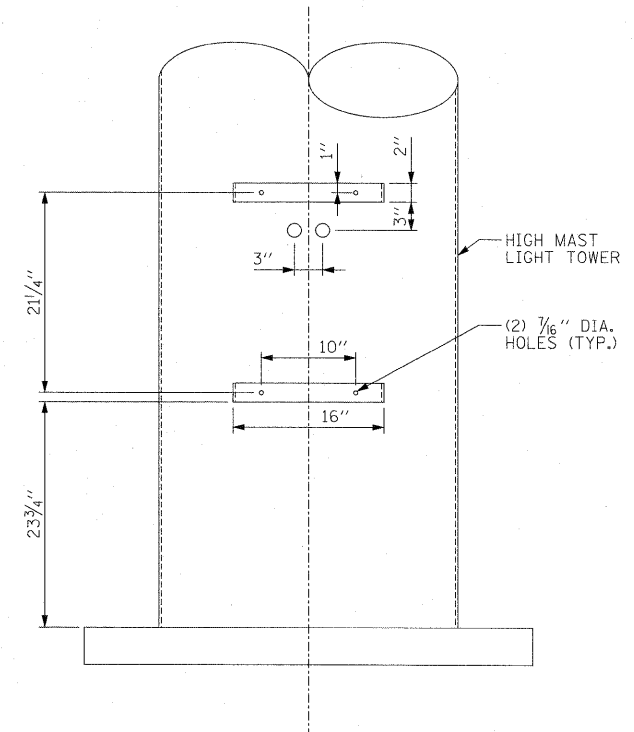
TEMPORARY WOOD POLE MOUNTED
BUCK-BOOST TRANSFORMER INSTALLATION DETAIL
N.T.S.



TYPICAL BUCK BOOST TRANSFORMER WIRING DIAGRAM
N.T.S. (NOTE 2)



PLAN



ELEVATION

TOWER MOUNTED PERMANENT JUNCTION BOX/
BUCK-BOOST TRANSFORMER INSTALLATION DETAIL
N.T.S.

NOTES:

1. SEE DRAWING GE-1 FOR ELECTRICAL SYMBOL LIST AND ABBREVIATIONS. SEE DRAWING GE-2 FOR ELECTRICAL GENERAL NOTES AND SUGGESTED LIGHTING PHASING NOTES.
2. THE CONTRACTOR SHALL CONNECT THE TRANSFORMER WINDINGS ACCORDING TO TRANSFORMER MANUFACTURER'S WIRING DIAGRAM FOR VOLTAGE BOOST AT THE COIL VOLTAGES SPECIFIED.
3. GROUND WIRE IS NOT SHOWN FOR CLARITY BUT IT IS REQUIRED. SEE DETAIL AT LEFT FOR BUCK-BOOST TRANSFORMER CONNECTION AND WIRING INFORMATION.
4. STAINLESS STEEL JUNCTION BOX ENCLOSURE SHALL BE INCLUDED IN "BUCK-BOOST TRANSFORMER, 1.5 KVA, 240V PRIMARY, 24V SECONDARY" PAY ITEM. SEPARATE PAYMENT WILL NOT BE MADE.

FILE NAME =	USER NAME = TKIuegal
D160F12-SHT-ED-5.dgn	
PLOT SCALE = 1:1	
PLOT DATE = 3/7/2011	

DESIGNED - JLW	REVISD -
DRAWN - CJM	REVISD -
CHECKED - KMY	REVISD -
DATE - 2/4/11	REVISD -

F.A.I. RTE.	SECTION	COUNTY	TOTAL SHEETS	SHEET NO.
55	99-2HB-2B-1	WILL	756	420
CONTRACT NO. 60F12				
FED. ROAD DIST. NO. 1 ILLINOIS FED. AID PROJECT				