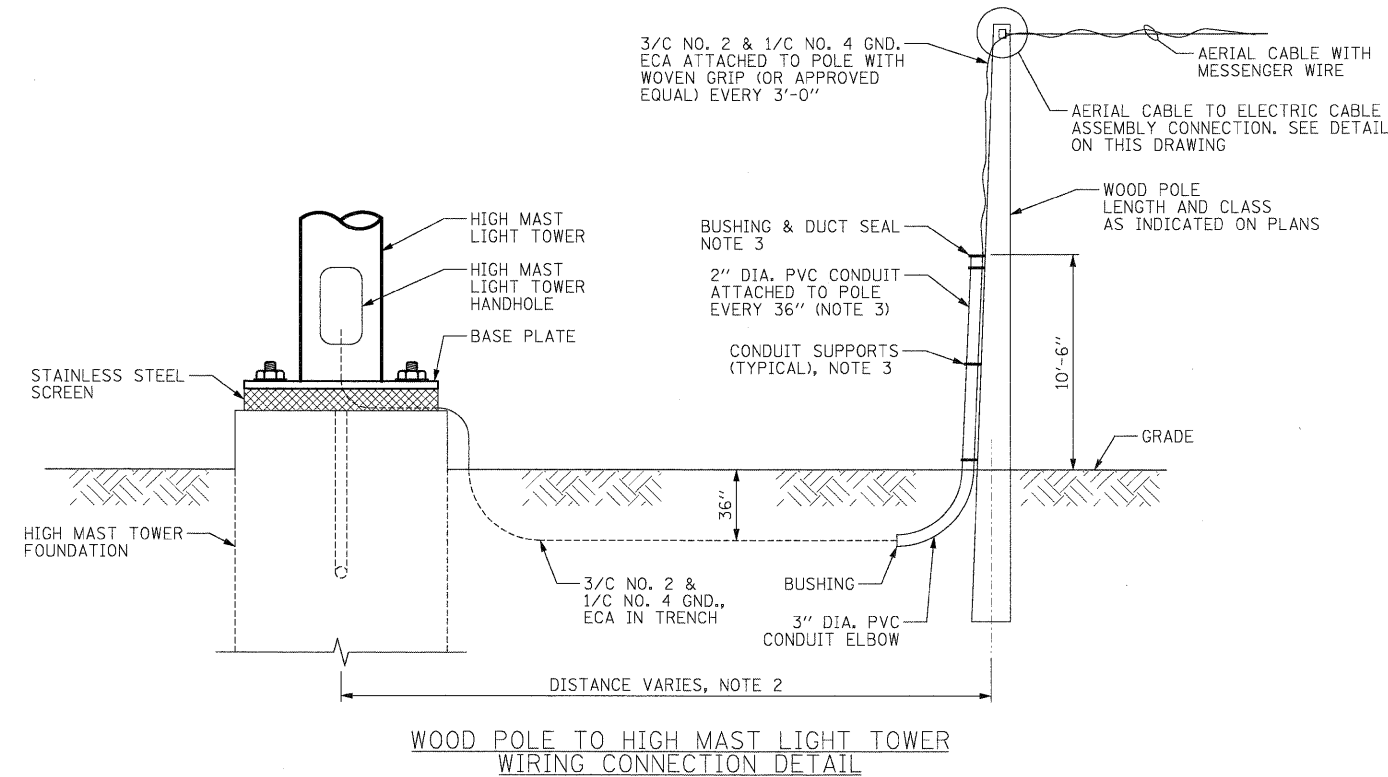


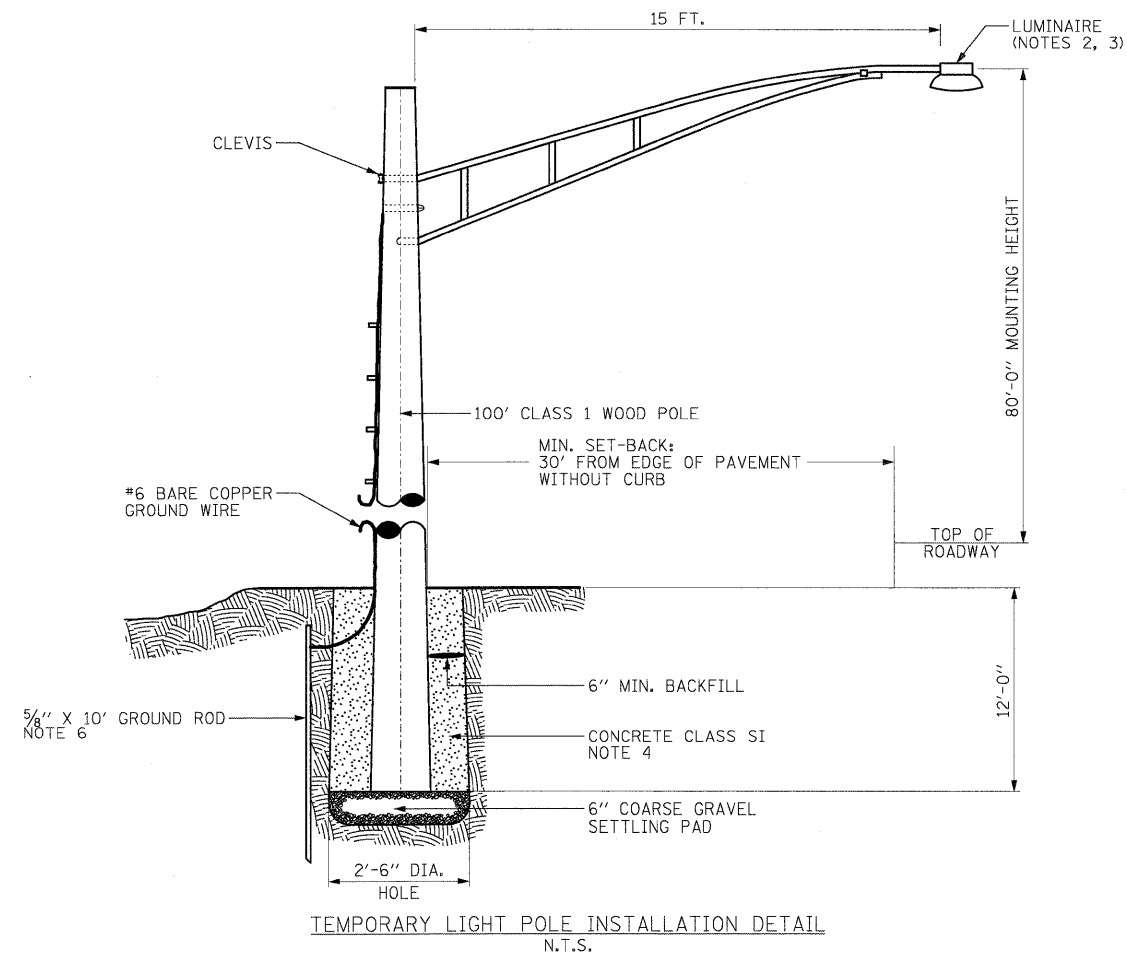
NOTES:

- SEE DRAWING GE-1 FOR ELECTRICAL SYMBOL LIST AND ABBREVIATIONS. SEE DRAWING GE-2 FOR ELECTRICAL GENERAL NOTES AND SUGGESTED LIGHTING PHASING NOTES.
- LUMINAIRE, SODIUM VAPOR, HIGH MAST, HORIZONTAL MOUNT, 750W.
- PROVIDE TWO OR THREE LUMINAIRES WITH BULLHORN BRACKETS WHERE INDICATED ON PLANS. SEE DRAWING ED-7 FOR BULLHORN FIXTURE MOUNTING DETAILS, THE COST OF BULLHORN BRACKET SHALL BE INCLUDED IN THE COST OF WOOD LIGHT POLE PAY ITEM. SEPARATE PAYMENT WILL NOT BE MADE.
- THE COST OF CLASS SI CONCRETE, GROUND ROD, AND #6 COPPER GROUND WIRE SHALL BE INCLUDED IN THE COST OF "LIGHT POLE, WOOD, 100 FOOT, CLASS 1, WITH 15FT MAST ARM" PAY ITEM. SEPARATE PAYMENT WILL NOT BE MADE.
- SEE IDOT STANDARD DRAWINGS BE-800 AND BE-801 FOR ADDITIONAL TEMPORARY LIGHT POLE AND TEMPORARY AERIAL CABLE INSTALLATION DETAILS.
- PROVIDE 5/8" X 10'-0" GROUND ROD FOR EVERY THIRD WOOD POLE.



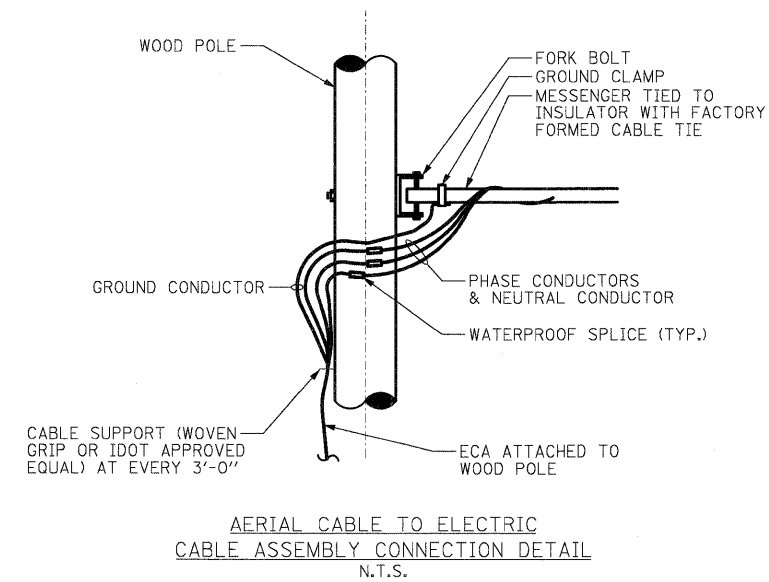
WOOD POLE TO HIGH MAST LIGHT TOWER WIRING CONNECTION DETAIL

N.T.S.



TEMPORARY LIGHT POLE INSTALLATION DETAIL

N.T.S.



AERIAL CABLE TO ELECTRIC CABLE ASSEMBLY CONNECTION DETAIL

N.T.S.