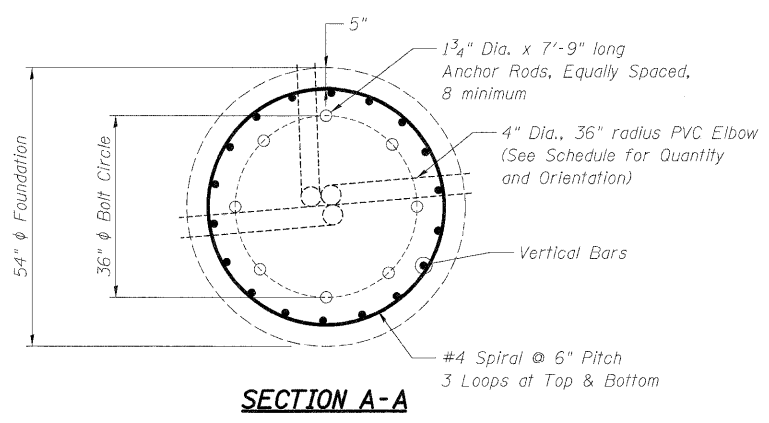
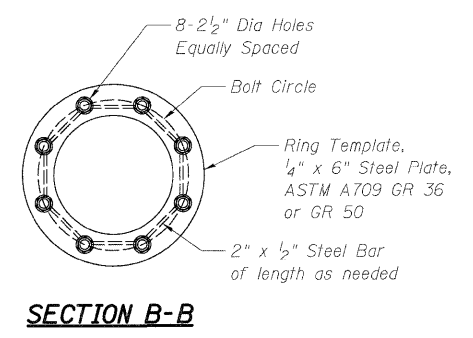


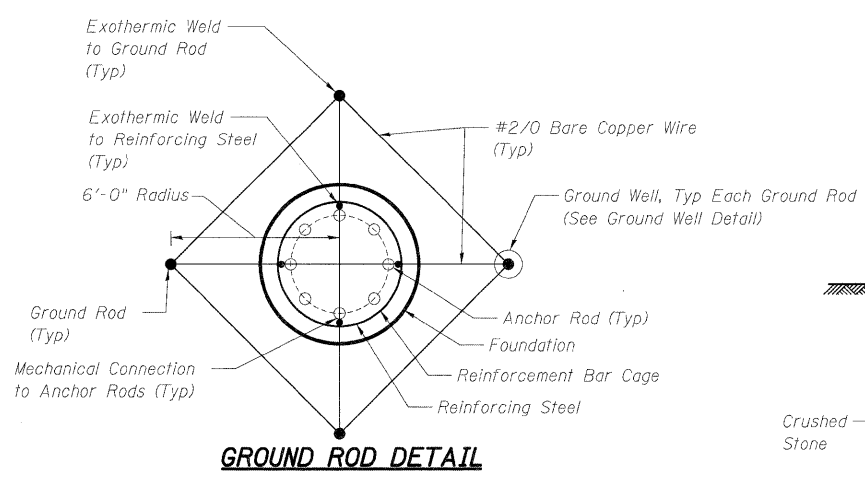
FOUNDATION ELEVATION



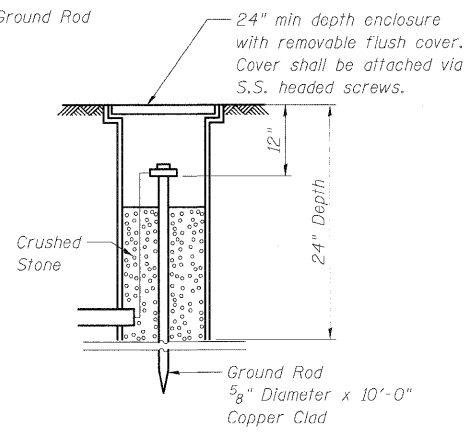
SECTION A-A



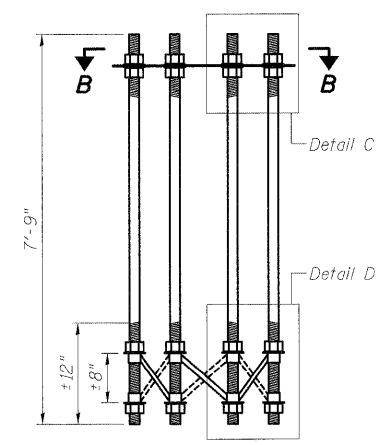
SECTION B-B



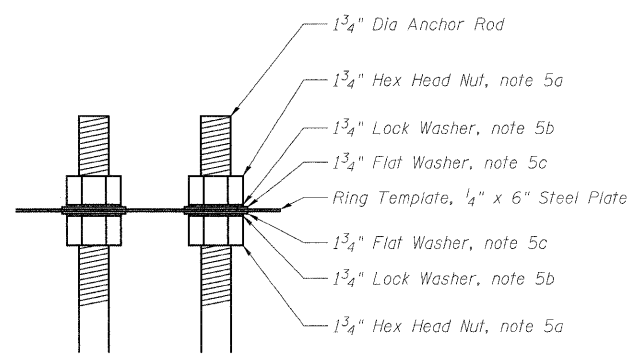
GROUND ROD DETAIL



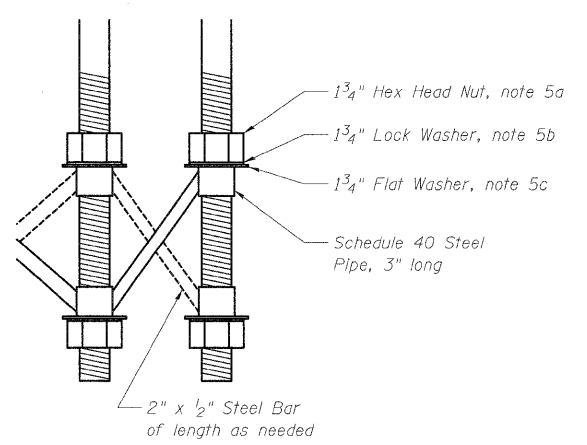
GROUND WELL DETAIL



ANCHOR ROD ASSEMBLY



DETAIL C



DETAIL D

NOTES:

1. THE INFORMATION ON THIS DRAWING SHALL BE UTILIZED WITH STRUCTURAL DRAWINGS S-1 THRU S-3 FOR THE CONSTRUCTION OF LIGHT TOWER FOUNDATIONS.
2. A MINIMUM OF THREE FULL THREADS SHALL REMAIN EXPOSED AFTER LIGHT TOWER IS INSTALLED.
3. ALL GROUNDING INDICATED IN THE PLANS SHALL BE INCLUDED IN THE COST OF THE LIGHT TOWER FOUNDATION AND SHALL NOT BE PAID FOR SEPARATELY.
4. CUT NUTS, OR JAM NUTS, ARE NOT ALLOWED.
5. ANCHOR ROD CAGE HARDWARE SHALL BE IN ACCORDANCE WITH THE FOLLOWING:
 - a) 1 3/4" HEX HEAD NUTS
AASHTO M291, GRADE C, C3, D, DH, OR DH3
HOT DIPPED GALVANIZED AASHTO M232
 - b) 1 3/4" HELICAL LOCK WASHERS
ANSI/ASME B18.21.1
I.D. 1.758 - 1.778
O.D. 2.596 MAX.
WIDTH 0.383 MIN.
THICKNESS 0.469 MIN.
HARDNESS 26-45 ROCKWELL C
HOT DIPPED GALVANIZED AASHTO M232
 - c) 1 3/4" FLAT WASHERS
AASHTO M293
O.D. 3.25
I.D. 1.875
THICKNESS 0.16 - 0.25
HARDNESS 26-45 ROCKWELL C
HOT DIPPED GALVANIZED AASHTO M232
6. THE SHAFT LENGTHS SHALL BE BASED ON SOIL BORINGS IN THE PLANS AND/OR A DETERMINATION OF SOIL CONDITIONS BY THE ENGINEER.
7. ALL FOUNDATION REINFORCEMENT STEEL SHALL BE EPOXY COATED.
8. THE FOUNDATION SHALL BE POURED MONOLITHICALLY AND SHALL HAVE NO CONSTRUCTION JOINTS.

McDonough Associates Inc.
Engineers / Architects
130 East Randolph Street, Chicago, Illinois 60601

FILE NAME =	USER NAME = TKLuegel	DESIGNED - JLW	REVISED -
D162P12-SHT-ED-9.dgn		DRAWN - CJM	REVISED -
	PLOT SCALE = 1:1	CHECKED - KMY	REVISED -
	PLOT DATE = 2/3/2011	DATE = 2/4/11	REVISED -

STATE OF ILLINOIS
DEPARTMENT OF TRANSPORTATION

I-55 AT ARSENAL ROAD
HIGH MAST LIGHT TOWER FOUNDATION DETAILS

F.A.I. RTE.	SECTION	COUNTY	TOTAL SHEETS	SHEET NO.
55	99-2HB-2B-1	WILL	756	424
CONTRACT NO. 60F12				
FED. ROAD DIST. NO. 1 ILLINOIS FED. AID PROJECT				

SCALE: SHEET NO. 1 OF 1 SHEETS STA. TO STA.