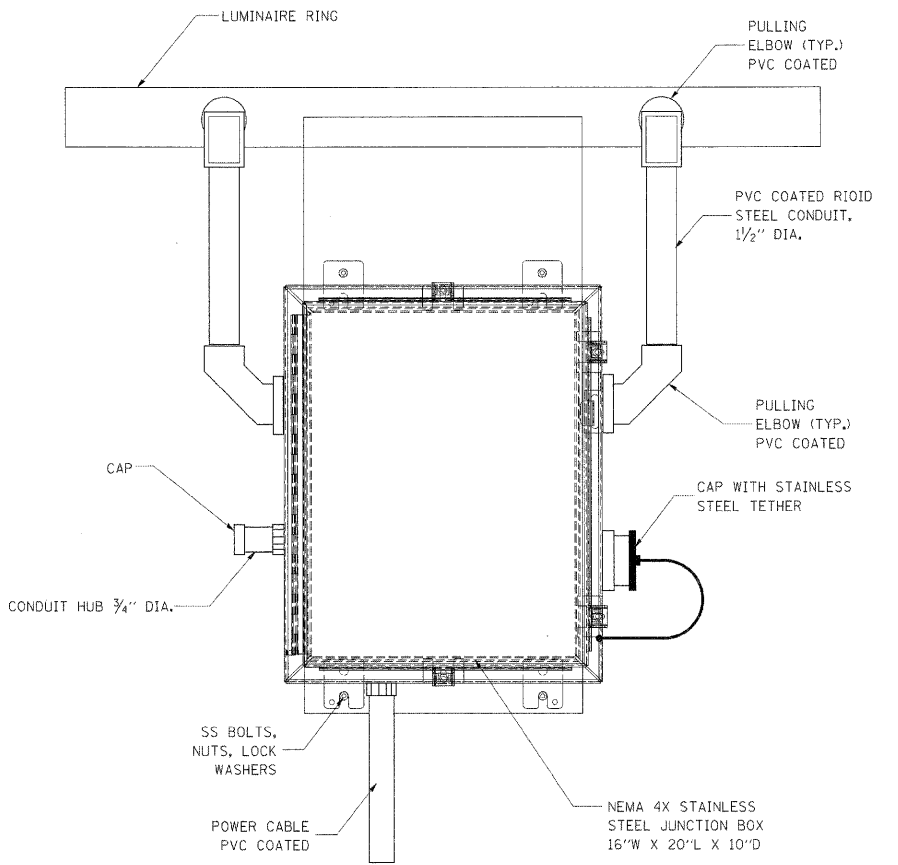
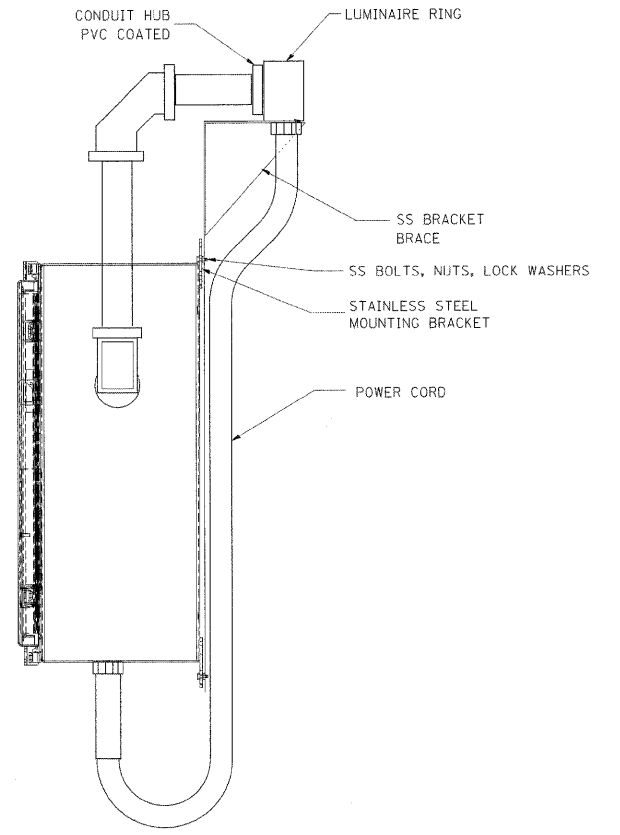


DETAIL - "D"

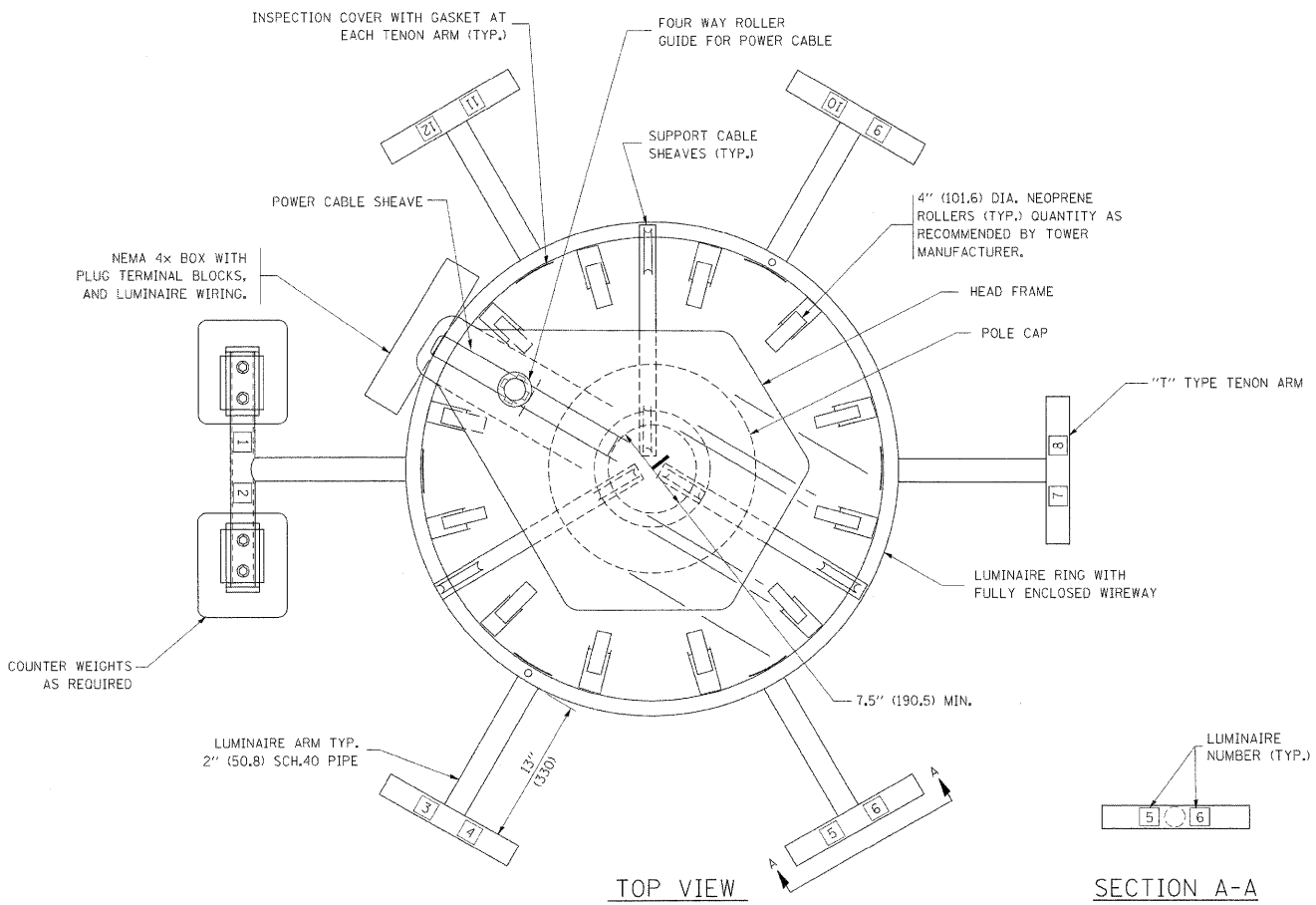


FRONT VIEW
N.T.S.



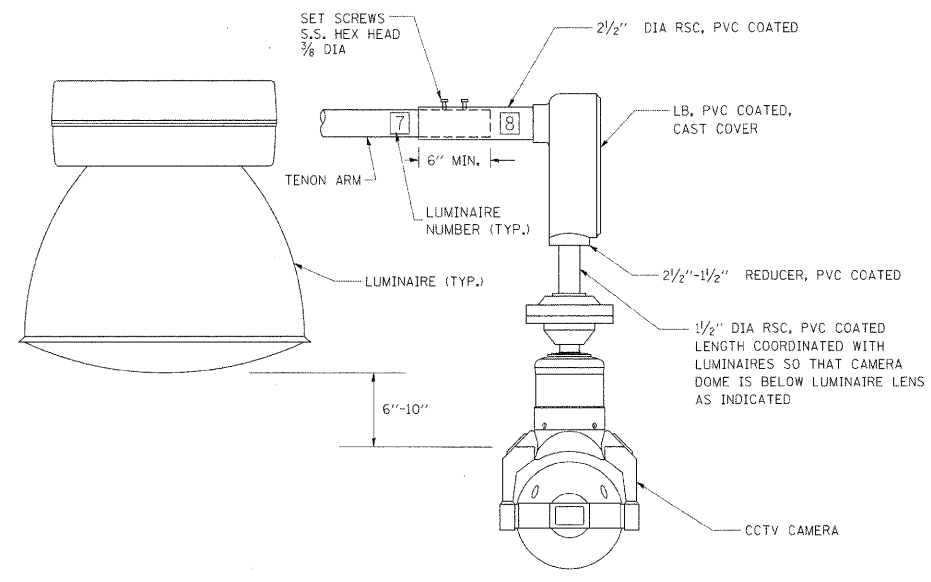
SIDE VIEW
N.T.S.

LUMINAIRE RING TERMINAL BOX



TOP VIEW

SECTION A-A



CCTV CAMERA MOUNTING DETAIL

NOTES:

- LUMINAIRE WIRES SHALL EXTEND 24 INCHES (609 mm) LONGER THAN THEIR RESPECTIVE TENON ARM AND SHALL BE TRAINED BACK INTO THE ARM WHICH SHALL THEN BE CLOSED WITH A CAP AS SPECIFIED ALL WIRES SHALL BE CAPPED WITH HEAT SHRINK INSULATING BOOTS, CRIMP CAPS ARE UNACCEPTABLE. ALL RING WIRES SHALL BE TAGGED WITH WIRE MARKERS AT BOTH ENDS THE TENON ARMS SHALL ALSO BE TAGGED CORRESPONDING TO THE WIRING CONTAINED WITHIN.
- SPLICING WILL NOT BE ALLOWED WITHIN THE LUMINAIRE RING.
- ALL TOWER SHAFT HARDWARE, SUCH AS GROUND LUGS, JUNCTION BOXES, HARDWARE FOR THE HANDHOLE DOOR, INCLUDING THE HANDLE/LATCH MECHANISM, HINGE AND DOOR STOP, SHALL BE STAINLESS STEEL. ALL CONDUIT AND CONDUIT FITTINGS SHALL BE PVC COATED GALVANIZED STEEL.
- ALL MULTI-CONDUCTOR CABLES SHALL BE FITTED WITH A HEAT-SHRINK MULTI-LEG BOOT. THE BOOT SHALL MEET MILITARY SPECIFICATION MIL-I-81765/1.

McDonough Associates Inc.
 Engineers / Architects
 130 East Randolph Street, Chicago, Illinois 60601

FILE NAME = 0160F12-SHT-BE-505b.dgn	USER NAME = TKLuegel	DESIGNED - IDOT	REVISED -	STATE OF ILLINOIS DEPARTMENT OF TRANSPORTATION	HIGH MAST LIGHT TOWER 120 FT TO 140 FT (36 m TO 43 m)	F.A.I. RFE.	SECTION	COUNTY	TOTAL SHEETS	SHEET NO.	
PLDT SCALE = 1:1	DRAWN - CJM	REVISOR -	REVISOR -			55	99-2HB-2B-1	WILL	756	431	
PLDT DATE = 2/3/2011	CHECKED - KMY	REVISOR -	REVISOR -			CONTRACT NO. 60F12					
PLDT DATE = 2/4/11	DATE - 2/4/11	REVISOR -	REVISOR -			FED. ROAD DIST. NO. 1 ILLINOIS FED. AID PROJECT					