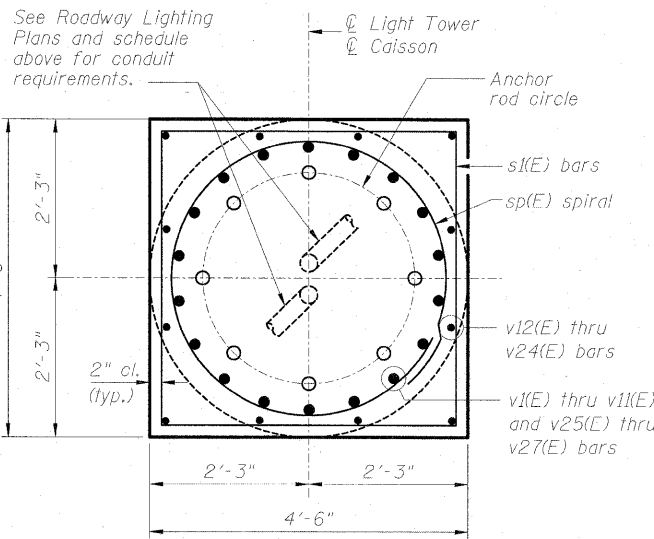
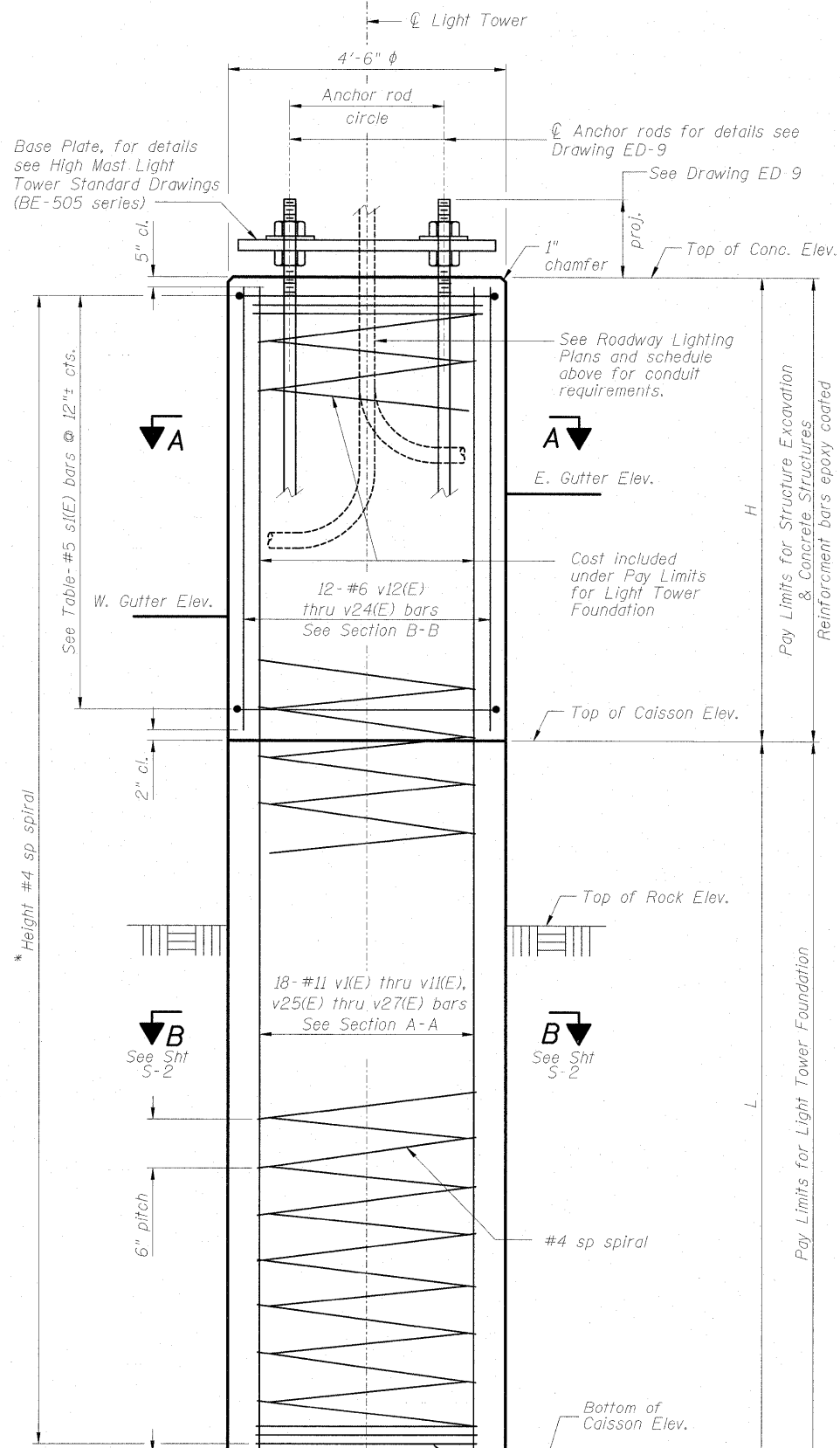
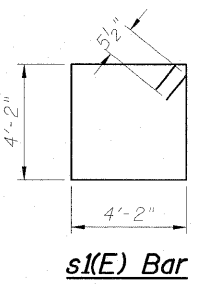


FOUNDATION ON WALL TABLE

Sheet No. Lighting Plans	Tower Designation	Location per Lighting Plans			Tower Height (ft.)	E. Gutter Elevation	W. Gutter Elevation	T/Rock Elevation	Top of Caisson Elevation	Bottom of Caisson Elevation	Top of Concrete Elevation	H (ft.)	L (ft.)	Rock Excavation (Cu. Yd.)	4" Conduit Stubs				Luminaire Orientations (Note 1)
		Roadway	Station	Offset											N	S	E	W	
RL-5	3 AEF4	RAMP B	3046+81.00	30.51 RT	120	537.21	533.25	530.82	531.25	518.25	540.71	9.46	13.00	7.40	1	2			2, 2, 182
RL-8	3 AEF5	ARSENAL	904+95.00	45.25 LT	120	537.60	534.39	531.61	532.39	519.39	541.10	8.71	13.00	7.20	1	2			2, 2, 182
RL-8	2 AEF6	ARSENAL	909+95.00	45.25 LT	120	539.10	534.88	530.90	532.88	518.88	542.60	9.72	14.00	7.08	1	2			2, 182
RL-8	2 AEF7	ARSENAL	914+95.00	42.25 LT	120	540.60	536.43	532.15	534.43	520.43	544.10	9.67	14.00	6.90	1	2			2, 182
RL-9	2 TEF7	ARSENAL	919+95.00	42.25 LT	120	542.10	540.38	536.50	538.38	525.38	545.60	7.22	13.00	6.55	2	1			2, 182
RL-9	2 TEF8	ARSENAL	924+95.00	42.25 LT	120	543.60	541.43	539.05	539.43	526.43	547.10	7.67	13.00	7.43	2	1			2, 182
RL-9	2 TEF6	ARSENAL	929+95.00	42.25 LT	120	545.10	542.68	539.88	540.68	527.68	548.60	7.92	13.00	7.19	2	1			2, 182
RL-10	2 TEF5	ARSENAL	934+95.00	42.25 LT	120	546.60	543.57	540.78	541.57	528.57	550.10	8.53	13.00	7.19	2	1			2, 182
RL-10	2 TEF4	ARSENAL	939+95.00	42.25 LT	120	552.64	550.04	547.12	548.04	535.04	556.14	8.10	13.00	7.12	2	1			2, 182
RL-10	2 TEF3	ARSENAL	944+45.00	42.25 LT	120	554.86	550.82	549.10	548.82	534.82	558.36	9.54	14.00	8.41	2	1			2, 182
RL-11	2 TEF2	ARSENAL	948+95.00	42.25 LT	120	553.45	549.09	547.69	547.09	533.09	556.95	9.86	14.00	8.60	2	1			2, 182
RL-1	2 AAB5	WFR	5000+73.00	45.57 RT	120	523.05	523.05	518.67	521.05	505.05	526.55	5.50	16.00	8.02	2	1			2, 2
RL-2	2 AST4	EFR	8008+89.00	37.78 LT	120	523.65	523.65	517.34	521.65	505.65	527.15	5.50	16.00	6.89	2	1			182, 182
RL-2	3 AST3	EFR	8012+90.00	24.91 LT	120	528.03	525.85	522.59	523.85	508.85	531.53	7.68	15.00	8.09	2	1			182, 182, 182
RL-2	2 AAB4	WFR	5005+80.00	35.43 RT	120	523.9	523.9	517.6	521.90	505.90	527.40	5.50	16.00	6.89	2	1			2, 2
RL-2	3 AAB3	WFR	5009+80.00	27.43 RT	120	526.05	526.05	522.20	524.05	509.05	529.55	5.50	15.00	7.75	2	1			2, 2, 2
RL-2	3 AAB2	WFR	5014+40.00	52.93 RT	120	529.43	529.43	526.72	527.43	513.43	532.93	5.50	14.00	7.83			2	1	2, 2, 182
RL-8	2 ACD10	WFC	6027+51.00	49.75 RT	120	535.19	535.19	530.66	533.19	517.19	538.69	5.50	16.00	7.93	1	2			2, 182
RL-8	2 ACD11	WFC	6032+50.00	39.84 RT	120	536.77	536.77	532.42	534.77	518.77	540.27	5.50	16.00	8.04		2			2, 182
RL-9	2 TAB7	WFC	6037+50.00	39.84 RT	120	540.67	540.67	537.23	538.67	523.67	544.17	5.50	15.00	7.99	2	1			2, 182
RL-9	2 TAB6	WFC	6042+50.00	43.91 RT	120	541.96	541.96	539.30	539.96	525.96	545.46	5.50	14.00	7.86	2	1			2, 182
RL-9	2 TAB5	WFC	6047+50.00	52.14 RT	120	542.79	542.79	540.21	540.79	526.79	546.29	5.50	14.00	7.90	2	1			2, 182
RL-10	2 TAB4	WFC	6052+50.00	51.94 RT	120	543.89	543.89	539.45	541.89	525.89	547.39	5.50	16.00	7.99	2	1			2, 182
RL-10	2 TAB3	WFC	6057+50.00	50.69 RT	120	550.36	550.36	544.18	548.36	532.36	553.86	5.50	16.00	6.96	2	1			2, 182
RL-10	2 TAB2	WFC	6061+99.00	49.44 RT	120	553.76	553.76	547.38	551.76	535.76	557.26	5.50	16.00	6.84	2	1			2, 182
RL-11	2 TAB1	WFC	6066+48.00	48.47 RT	120	552.59	552.59	546.23	550.59	534.59	556.09	5.50	16.00	6.86	2	1			2, 182



SECTION A-A
SCALE: NTS



NOTES:

- Luminaire orientations are for reference only. Numbers show degrees. Zero degrees is true east and numbers increase counterclockwise. In general, luminaires are oriented with the optics perpendicular to the roadway per drawing GE-2, note 8.
- For additional notes, see Drawing S-2.

BILL OF MATERIAL

Tower 3 AEF4					Tower 3 AEF5					Tower 2 AEF6					Tower 2 AEF7				
Bar	No.	Size	Length	Shape	Bar	No.	Size	Length	Shape	Bar	No.	Size	Length	Shape	Bar	No.	Size	Length	Shape
sp1(E)	1	#4	*21'-7 1/2"	WMM	sp2(E)	1	#4	*20'-10 1/2"	WMM	sp3(E)	1	#4	*22'-10 1/2"	WMM	sp4(E)	1	#4	*22'-10"	WMM
s1(E)	10	#5	17'-7"	□	s1(E)	9	#5	17'-7"	□	s1(E)	10	#5	17'-7"	□	s1(E)	10	#5	17'-7"	□
v1(E)	18	#11	21'-7 1/2"	—	v2(E)	18	#11	20'-10 1/2"	—	v3(E)	18	#11	22'-10 1/2"	—	v4(E)	18	#11	22'-10"	—
v12(E)	12	#6	8'-10 1/2"	—	v13(E)	12	#6	8'-1 1/2"	—	v14(E)	12	#6	9'-1 1/2"	—	v15(E)	12	#6	9'-1"	—

Tower 2 TEF8					Tower 2 TEF7					Tower 2 TEF6					Tower 2 TEF5				
Bar	No.	Size	Length	Shape	Bar	No.	Size	Length	Shape	Bar	No.	Size	Length	Shape	Bar	No.	Size	Length	Shape
sp5(E)	1	#4	*19'-4 1/2"	WMM	sp6(E)	1	#4	*19'-10"	WMM	sp7(E)	1	#4	*20'-1"	WMM	sp8(E)	1	#4	*20'-8"	WMM
s1(E)	8	#5	17'-7"	□	s1(E)	8	#5	17'-7"	□	s1(E)	9	#5	17'-7"	□	s1(E)	9	#5	17'-7"	□
v5(E)	18	#11	19'-4 1/2"	—	v6(E)	18	#11	19'-10"	—	v7(E)	18	#11	20'-1"	—	v8(E)	18	#11	20'-8"	—
v16(E)	12	#6	6'-7 1/2"	—	v17(E)	12	#6	7'-1"	—	v18(E)	12	#6	7'-4"	—	v19(E)	12	#6	7'-11"	—

Tower 2 TEF4					Tower 2 TEF3					Tower 2 TEF2					Tower 3 AST3				
Bar	No.	Size	Length	Shape	Bar	No.	Size	Length	Shape	Bar	No.	Size	Length	Shape	Bar	No.	Size	Length	Shape
sp9(E)	1	#4	*20'-3"	WMM	sp10(E)	1	#4	*22'-8 1/2"	WMM	sp11(E)	1	#4	*23'-0"	WMM	sp12(E)	1	#4	*21'-10"	WMM
s1(E)	9	#5	17'-7"	□	s1(E)	10	#5	17'-7"	□	s1(E)	11	#5	17'-7"	□	s1(E)	8	#5	17'-7"	□
v9(E)	18	#11	20'-3"	—	v10(E)	18	#11	22'-8 1/2"	—	v11(E)	18	#11	23'-0"	—	v25(E)	18	#11	21'-10"	—
v20(E)	12	#6	7'-6"	—	v21(E)	12	#6	8'-11 1/2"	—	v22(E)	12	#6	9'-3"	—	v24(E)	12	#6	7'-1"	—

Tower 2 AAB5, 2 AST4, 2 AAB4, 2 ACD10, 2 ACD11, 2 TAB4, 2 TAB3, 2 TAB2, 2 TAB1					Tower 3 AAB3, 2 TAB7					Tower 3 AAB2, 2 TAB6, 2 TAB5				
Bar	No.	Size	Length	Shape	Bar	No.	Size	Length	Shape	Bar	No.	Size	Length	Shape
sp8(E)	9	#4	*19'-8"	WMM	sp13(E)	2	#4	*19'-8"	WMM	sp14(E)	3	#4	*18'-8"	WMM
s1(E)	54	#5	17'-7"	□	s1(E)	12	#5	17'-7"	□	s1(E)	18	#5	17'-7"	□
v8(E)	162	#11	20'-8"	—	v26(E)	36	#11	19'-8"	—	v27(E)	54	#11	18'-8"	—
v23(E)	108	#6	4'-11"	—	v23(E)	24	#6	4'-11"	—	v23(E)	36	#6	4'-11"	—

* Length is height of spiral.

Item	Unit	Total
Structure Excavation	Cu. Yd.	83
Concrete Structures	Cu. Yd.	136
Reinforcement Bars, Epoxy Coated	Pound	4927

McDonough Associates Inc.
Engineers/Architects
130 East Randolph Street Chicago, Illinois 60601

FILE NAME = 0990348-60F12-001-HML Foundation.dgn	USER NAME = TKJuegel	DESIGNED - MGB	REVISED -
PLOT SCALE = 1:1,33333	DRAWN - MGB	CHECKED -	REVISED -
PLOT DATE = 3/3/2011	CHECKED -	REVISED -	REVISED -

STATE OF ILLINOIS
DEPARTMENT OF TRANSPORTATION

I-55 AT ARSENAL ROAD
HIGH MAST LIGHT TOWER FOUNDATION AT RETAINING WALL DETAILS
SHEET NO. 1 OF 5 SHEETS

F.A.I. RTE. 55	SECTION 99-2HB-2B-1	COUNTY WILL	TOTAL SHEETS 756	SHEET NO. 437
FED. ROAD DIST. NO. 1 ILLINOIS FED. AID PROJECT			CONTRACT NO. 60F12	