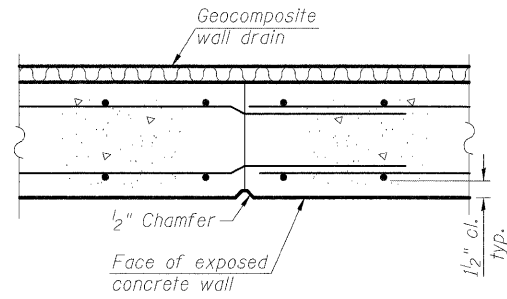
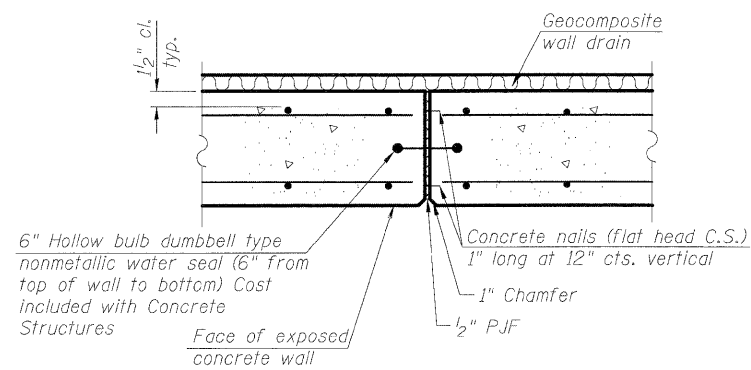


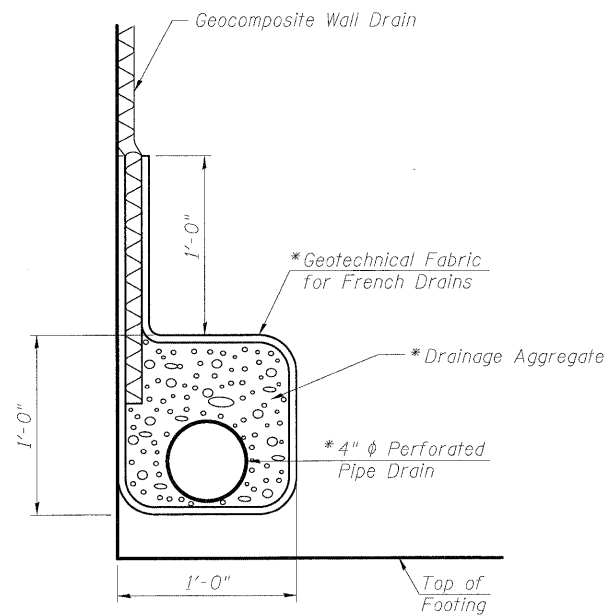
STATE OF ILLINOIS  
DEPARTMENT OF TRANSPORTATION



**CONSTRUCTION JOINT DETAIL**



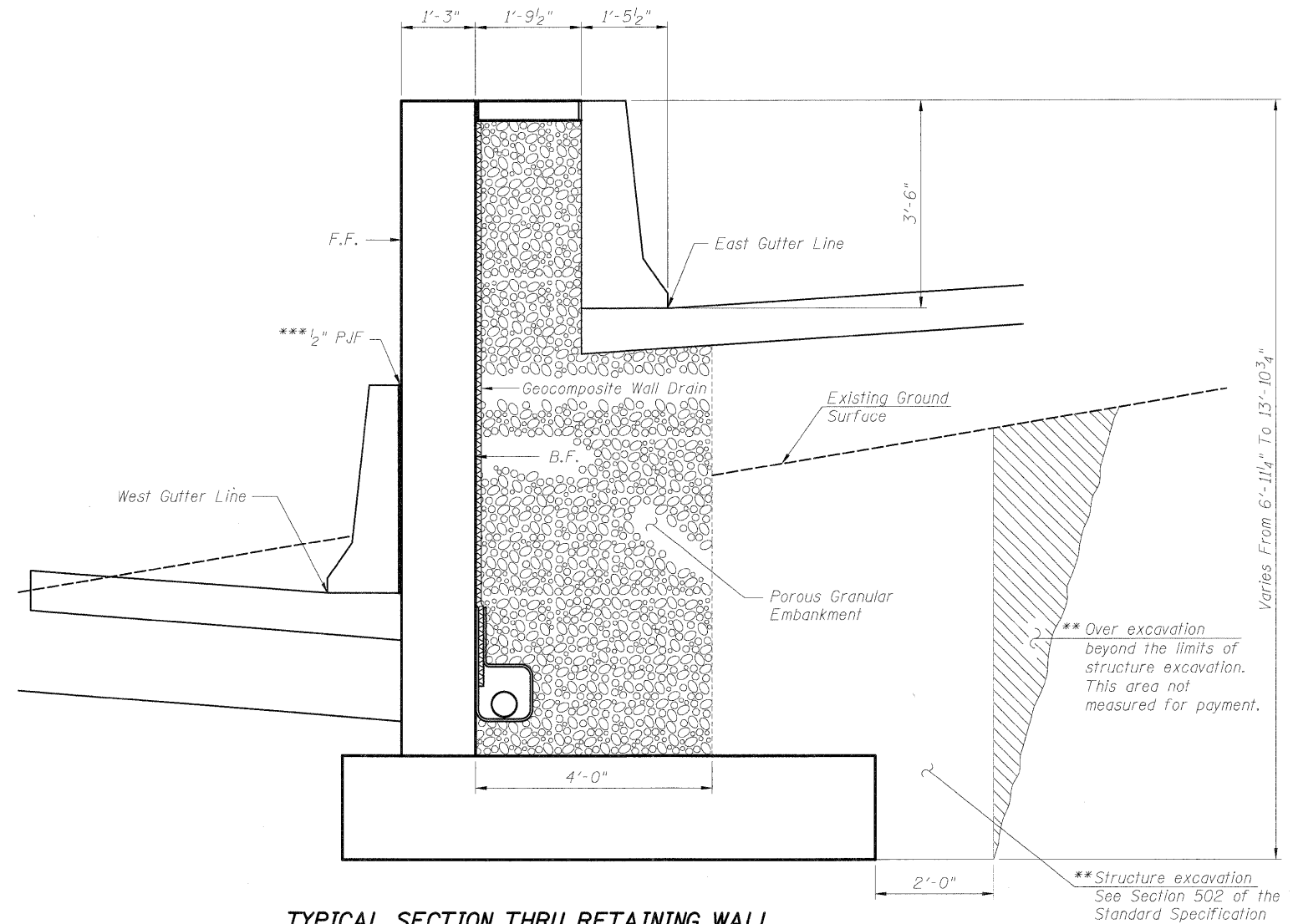
**EXPANSION JOINT DETAIL**



**PIPE UNDERDRAIN DETAIL**

\* Included in the cost of "Pipe Underdrains for Structures 4".

DESIGNED	PMH
CHECKED	MJL
DRAWN	PMH
CHECKED	BB



**TYPICAL SECTION THRU RETAINING WALL**

(Ramp B Sta. 3044+66.66 to Sta. 3046+85.77)  
(Arsenal Rd. Sta. 900+00.00 to Sta. 934+47.18)

\*\*\* Included in the cost of Barrier Wall

**LEGEND:**

F.F. = Front Face of Wall  
B.F. = Back Face of Wall  
E.F. = Each Face of Wall

\*\* Backfill remainder of structure excavation and over excavation with same material specified for roadway embankment.

**SECTION AND DETAILS  
STRUCTURE NO. 099-W027**



**McDonough Associates Inc.**  
Engineers / Architects  
130 East Randolph Street  
Chicago, Illinois 60601  
(312) 946-8600

SHEET NO. RW2-14 SHEETS RW2-31	F.A.I. RTE.	SECTION	COUNTY	TOTAL SHEETS	SHEET NO.
	55	(99-1&2) R-6	WILL	756	478
FED. ROAD DIST. NO.			ILLINOIS FED. AID PROJECT		
CONTRACT NO. 60F12					