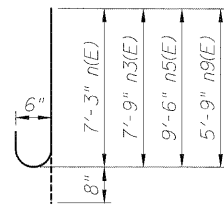
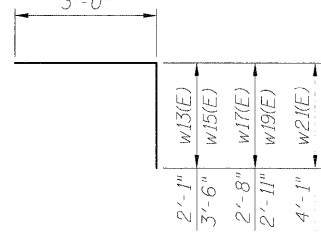


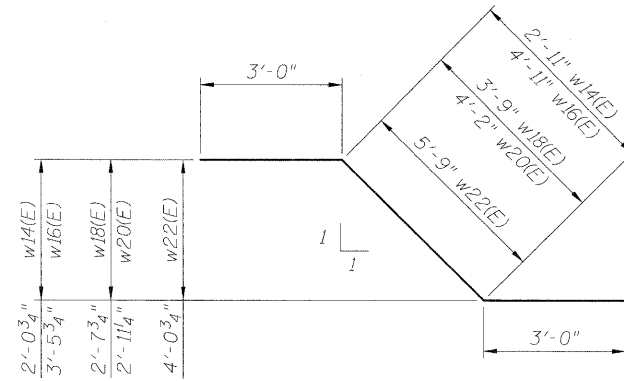
STATE OF ILLINOIS  
DEPARTMENT OF TRANSPORTATION



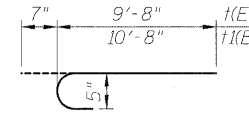
**BARS n(E), n3(E),  
n5(E) & n9(E)**



**BARS w13(E), w15(E),  
w17(E), w19(E) & w21(E)**



**BARS w14(E), w16(E),  
w18(E), w20(E) & w22(E)**



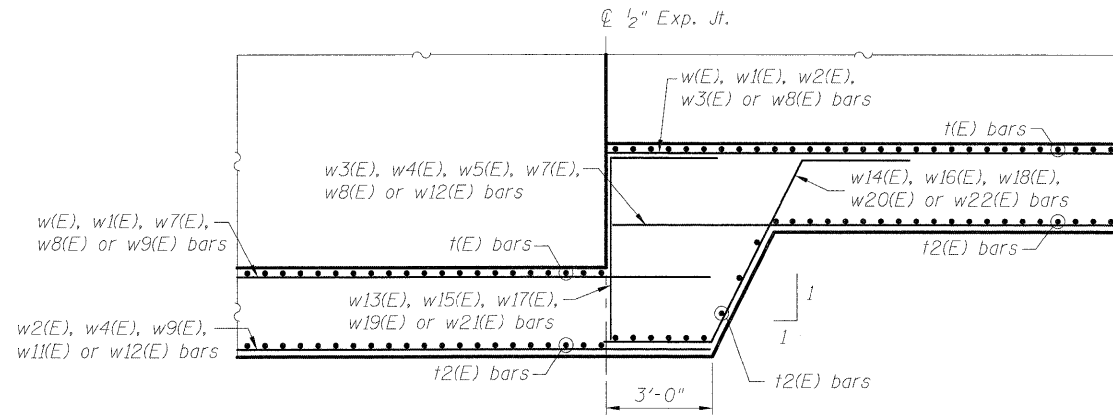
**BARS t(E) & t1(E)**

**BILL OF MATERIAL**

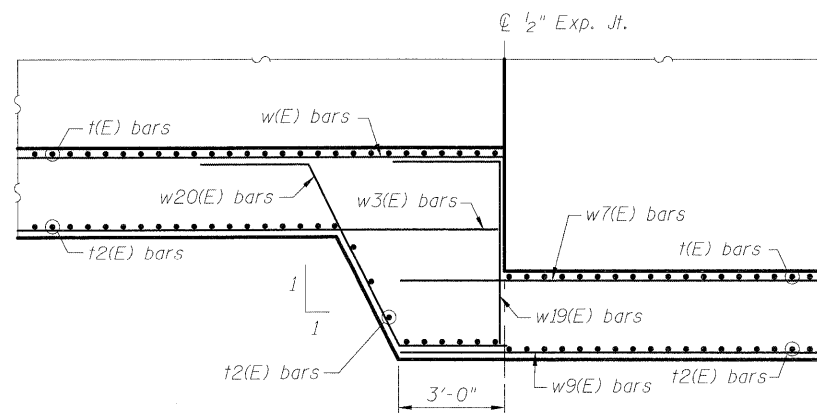
Bar	No.	Size	Length	Shape
h(E)	1954	#5	32'-9"	—
h1(E)	976	#5	29'-8"	—
h2(E)	20	#5	31'-5"	—
h3(E)	20	#5	35'-0"	—
h4(E)	18	#5	31'-10"	—
h5(E)	18	#5	21'-1"	—
h6(E)	132	#5	22'-4"	—
h7(E)	160	#5	25'-5"	—
h8(E)	46	#5	32'-4"	—
h9(E)	26	#5	19'-5"	—
h10(E)	26	#5	33'-11"	—
h11(E)	40	#5	30'-5"	—
h12(E)	40	#5	27'-4"	—
n(E)	2934	#6	7'-11"	—
n1(E)	1945	#5	5'-9"	—
n2(E)	213	#5	4'-11"	—
n3(E)	2061	#6	8'-5"	—
n4(E)	808	#5	5'-3"	—
n5(E)	762	#6	10'-2"	—
n6(E)	86	#5	4'-6"	—
n7(E)	1401	#5	6'-0"	—
n8(E)	461	#5	6'-11"	—
n9(E)	93	#6	6'-5"	—
n10(E)	31	#5	4'-5"	—
n11(E)	327	#5	6'-6"	—
t(E)	9204	#5	10'-3"	—
t1(E)	993	#5	11'-3"	—
t2(E)	4619	#5	9'-8"	—
t3(E)	497	#5	10'-8"	—

**BILL OF MATERIAL (cont.)**

Bar	No.	Size	Length	Shape
v(E)	1275	#5	5'-8"	—
v1(E)	3644	#5	7'-2"	—
v2(E)	1146	#5	6'-1"	—
v3(E)	705	#5	8'-1"	—
v4(E)	296	#5	9'-3"	—
v5(E)	1311	#5	6'-10"	—
v6(E)	514	#5	10'-3"	—
v7(E)	86	#5	9'-9"	—
v8(E)	1353	#5	6'-5"	—
v9(E)	513	#5	5'-2"	—
v10(E)	279	#5	4'-10"	—
w(E)	253	#5	20'-0"	—
w1(E)	55	#5	21'-1"	—
w2(E)	242	#5	23'-6"	—
w3(E)	176	#5	24'-4"	—
w4(E)	44	#5	25'-4"	—
w5(E)	231	#5	26'-1"	—
w6(E)	231	#5	26'-8"	—
w7(E)	407	#5	27'-5"	—
w8(E)	1175	#5	28'-1"	—
w9(E)	1229	#5	28'-9"	—
w10(E)	88	#5	28'-11"	—
w11(E)	154	#5	29'-8"	—
w12(E)	363	#5	30'-0"	—
w13(E)	22	#5	5'-1"	—
w14(E)	22	#5	8'-11"	—
w15(E)	11	#5	6'-6"	—
w16(E)	11	#5	10'-11"	—
w17(E)	11	#5	5'-8"	—
w18(E)	11	#5	9'-9"	—
w19(E)	44	#5	5'-11"	—
w20(E)	44	#5	10'-2"	—
w21(E)	11	#5	7'-1"	—
w22(E)	11	#5	11'-9"	—
Structure Excavation		Cu Yd	11,600	
Concrete Structures		Cu Yd	5,399.6	
Reinforcement Bars, Epoxy Coated		Fcund	593,590	



**DETAIL 1**



**DETAIL 2**

**NOTES:**

1. Reinforcement Bars designated (E) shall be Epoxy Coated.

DESIGNED	PMH
CHECKED	MJL
DRAWN	PMH
CHECKED	MJL

**BILL OF MATERIAL  
STRUCTURE NO. 099-W027**

**McDonough Associates Inc.**  
Engineers / Architects  
130 East Randolph Street  
Chicago, Illinois 60601  
(312) 946-8600

SHEET NO. RW2-19 SHEETS RW2-31	F.A.I. RTE.	SECTION	COUNTY	TOTAL SHEETS	SHEET NO.
	55	(99-1&2) R-6	WILL	756	483
FED. ROAD DIST. NO.		ILLINOIS	FED. AID PROJECT		
CONTRACT NO. 60F12					