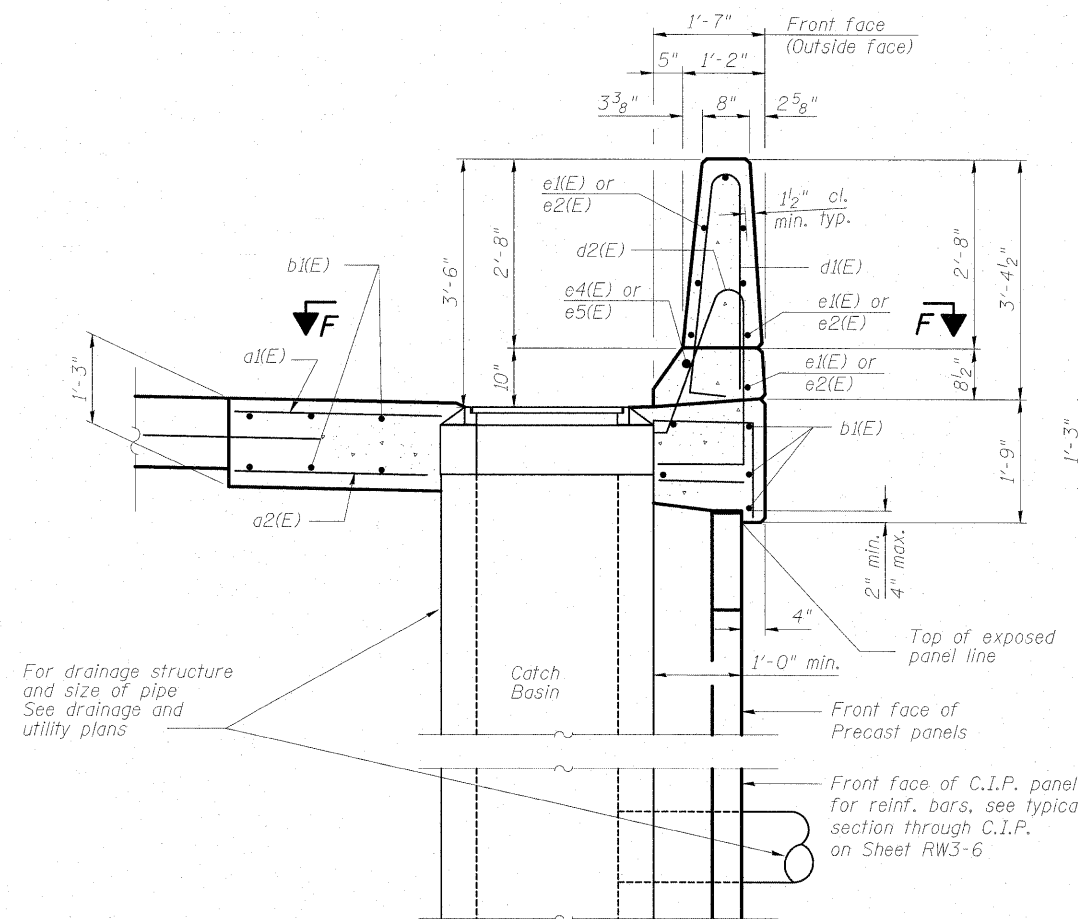
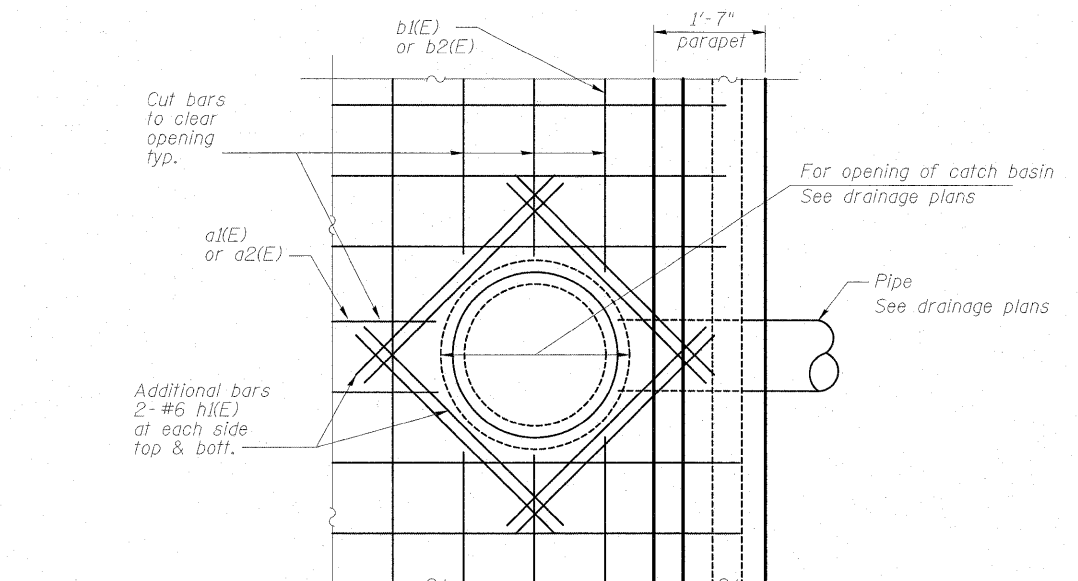


STATE OF ILLINOIS
DEPARTMENT OF TRANSPORTATION



DETAIL "2"

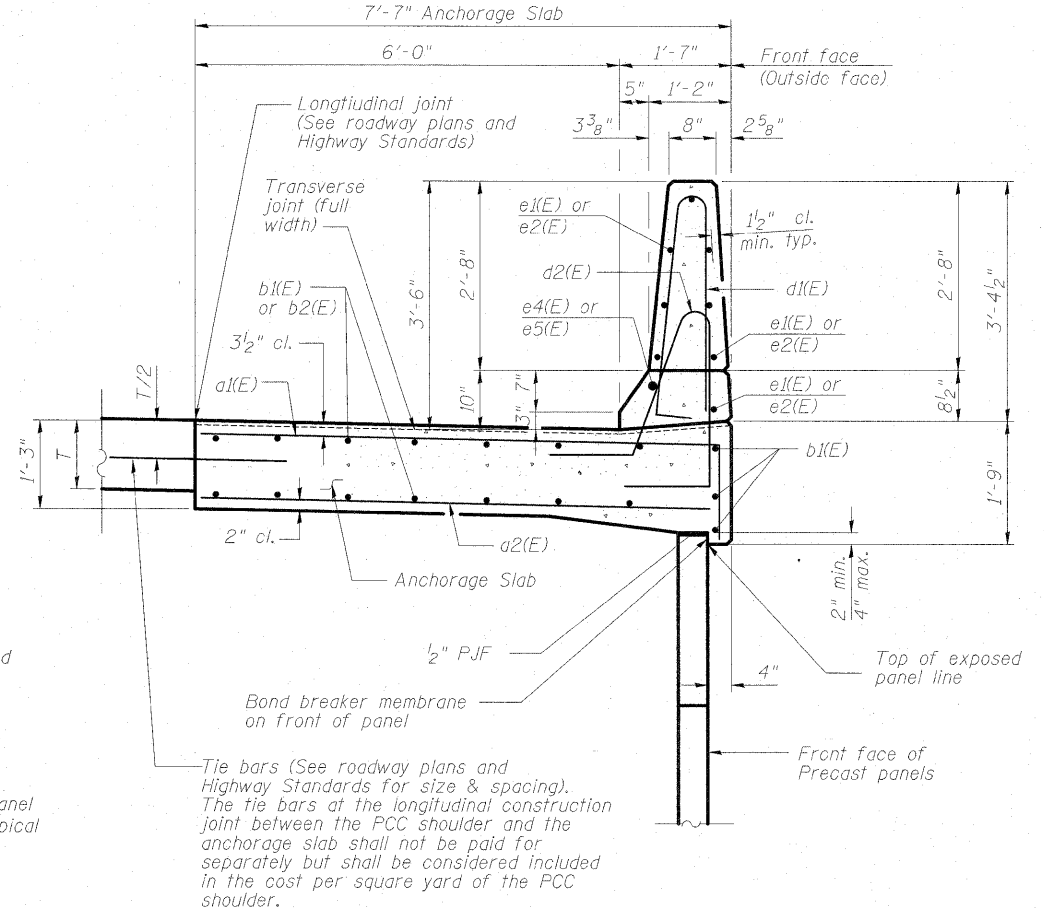
SECTION THRU ANCHORAGE SLAB & PARAPET AT CATCH BASINS



SECTION F-F

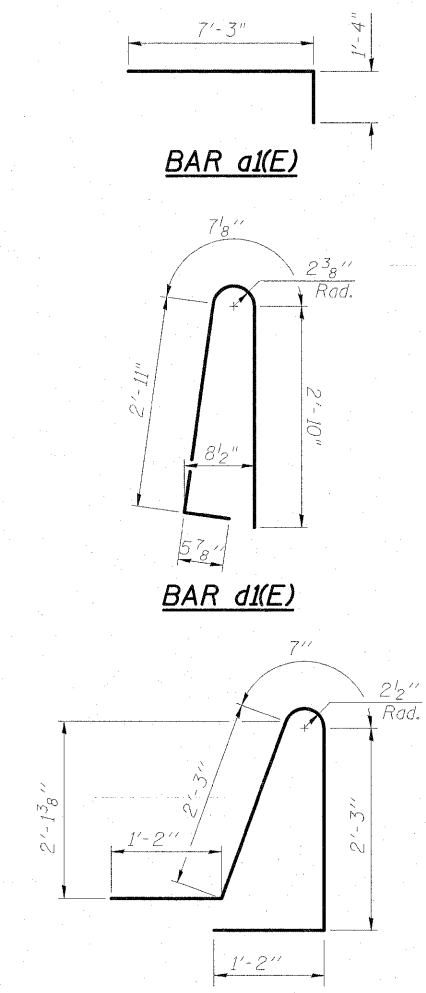
DETAIL "3" PLAN AT DRAINAGE

DESIGNED	PMH
CHECKED	MJL
DRAWN	RJ
CHECKED	BKB

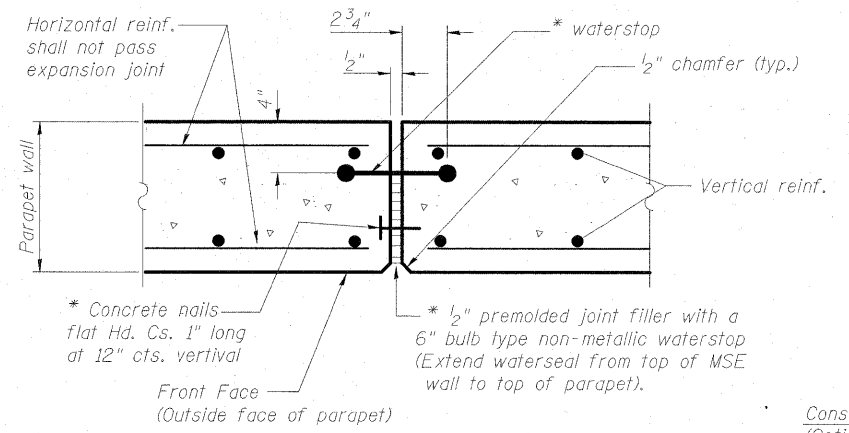


DETAIL "1"

SECTION THRU ANCHORAGE SLAB & PARAPET

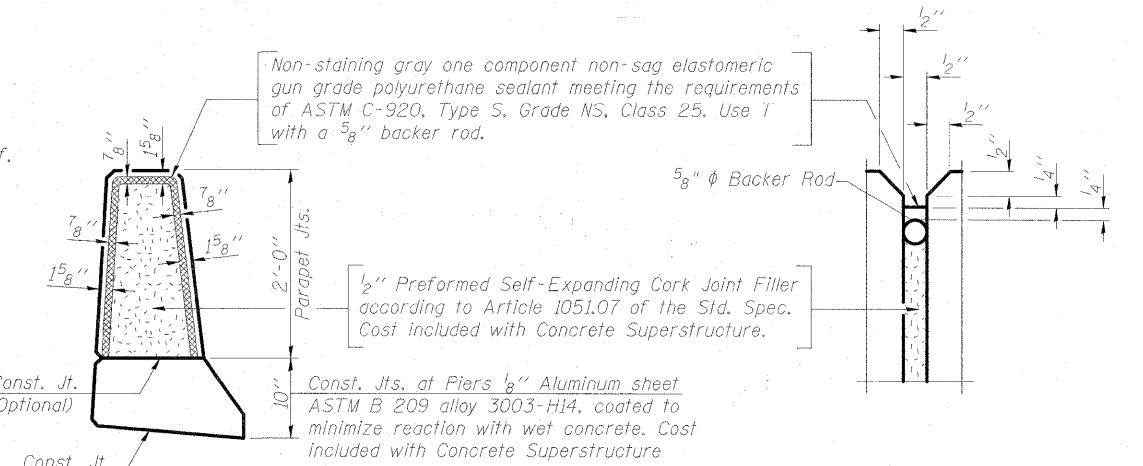


Only Parapet and Anchorage Slab are part of this Contract



EXPANSION JOINT DETAILS IN PARAPET

For expansion joints in anchorage slab, see Roadway Plans and Highway Standards. (STD 420001-07)
* Cost included with "Concrete Structures".



PARAPET JOINT DETAILS

MSE WALL - BILL OF MATERIAL

Bar	No.	Size	Length	Shape
a1(E)	962	#6	8'-7"	U
a2(E)	962	#6	7'-3"	U
b1(E)	510	#5	31'-3"	U
b2(E)	34	#5	26'-6"	U
d1(E)	1080	#5	6'-10"	U
d2(E)	1080	#5	7'-5"	U
e1(E)	480	#4	14'-8"	U
e2(E)	32	#4	12'-6"	U
e4(E)	60	#8	14'-8"	U
e5(E)	4	#8	12'-6"	U
h1(E)	64	#6	5'-0"	U
Concrete Structures			Cu. Yd.	473.9
Reinforcement Bars, Epoxy Coated			Pound	64,430

Notes:
Bars indicated thus 8x3-#5 indicates 8 lines of bars with 3 lengths per line.

Anchorage slab & parapet will be paid under item "Concrete Structures".

Note:
Slip forming of the parapet is not allowed.

SECTIONS AND DETAILS
STRUCTURE NO. 099-W028

McDonough Associates Inc.
Engineers / Architects
130 East Randolph Street
Chicago, Illinois 60601
(312) 946-8600

SHEET NO. RW3-7 SHEETS RW3-7	F.A.I. RTE.	SECTION	COUNTY	TOTAL SHEETS	SHEET NO.
	55	(99-1&2) R-6	WILL	756	502
FED. ROAD DIST. NO.			ILLINOIS	FED. AID PROJECT	
CONTRACT NO. 60F12					