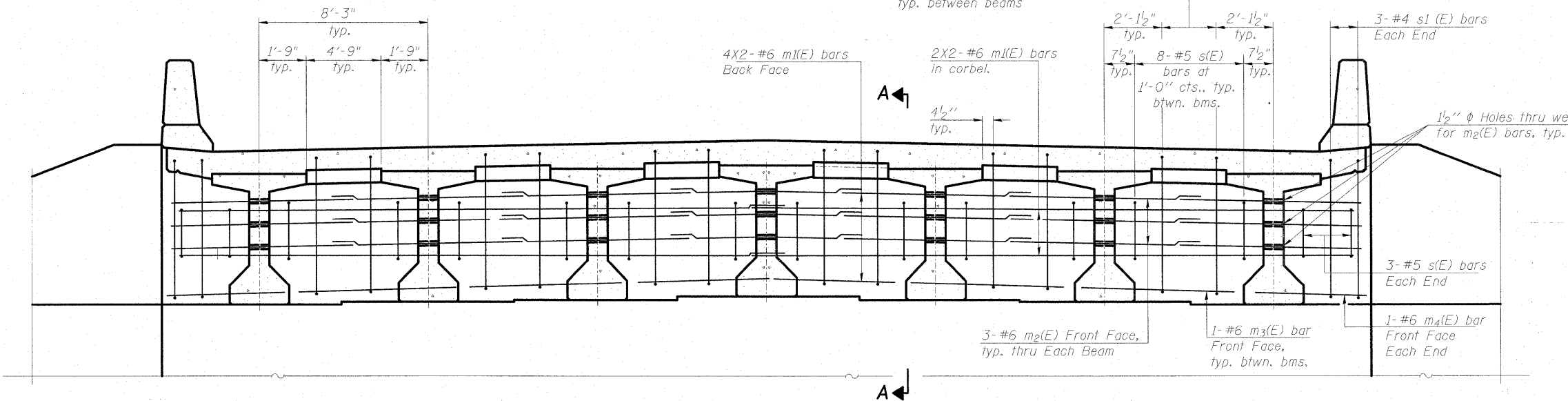


STATE OF ILLINOIS
DEPARTMENT OF TRANSPORTATION

5-#4 s1(E) bars at 1'-0" cts.,
typ. between beams

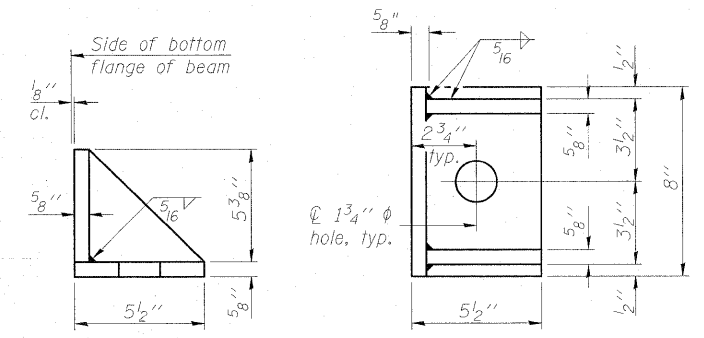


DIAPHRAGM ELEVATION AT ABUTMENTS

W. abutment looking west, E. abutment looking east

MIN. BAR LAP

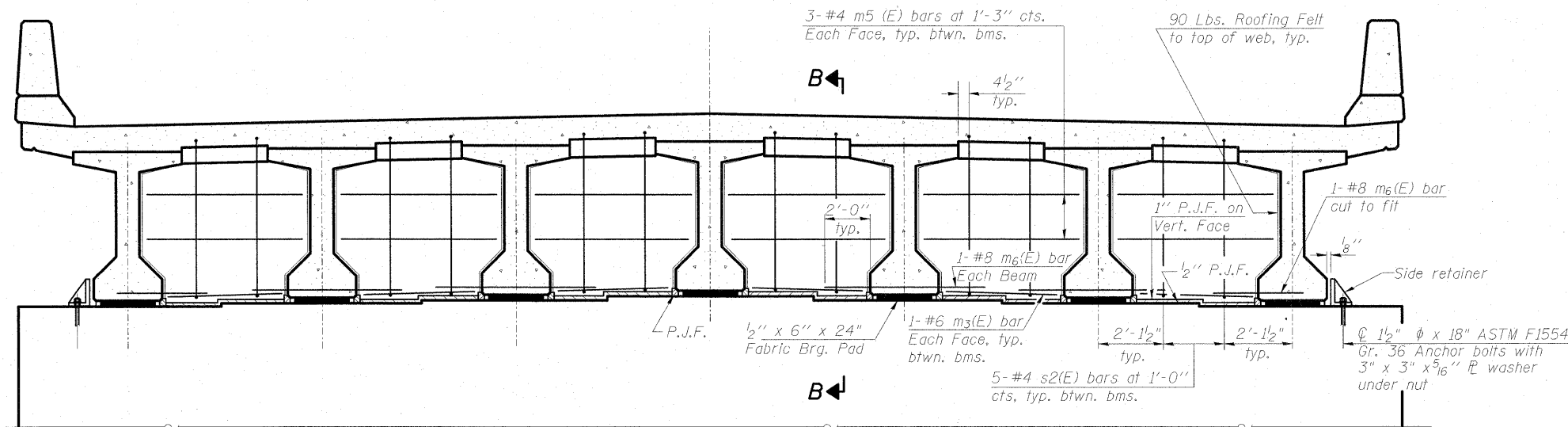
#6 bar = 2'-7"



SIDE RETAINER

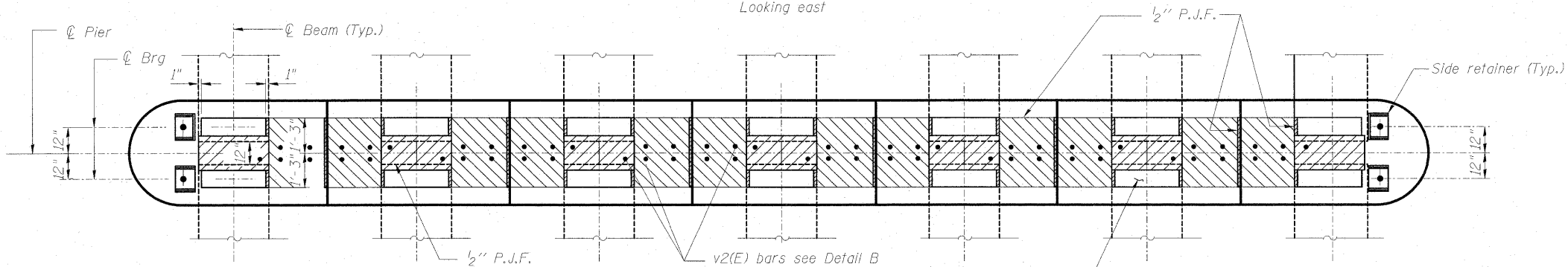
(2 required each side of pier).
Equivalent rolled angle with stiffeners
will be allowed in lieu of welded plates.

The side retained shall be galvanized
after shop fabrication according to
AASHTO M111 and ASTM 385.



DIAPHRAGM AT PIER

Looking east



PLAN AT PIER

(Showing bearing pad and PJF details)

Notes:
Reinforcement bars in diaphragm are billed with superstructure on sheet SF10.
Concrete in diaphragm is included with Concrete Superstructure on sheet SF10.
For details of bars s(E), s1(E) and s2(E) see sheet SF-10.
The s(E), s1(E) and s2(E) bars shall be placed parallel to the beams. Spacing for these bars shall be at right angles to the beams. See sheet SF12 for Sections A-A and B-B.
Cast of 90 Lb. roofing felt is included with Concrete Superstructure. The side retainer shall be galvanized after shop fabrication according to AASHTO M111. Cost of side retainer and anchor bolts shall be included with Concrete Structures.
Anchor bolt assemblies shall be galvanized according to Article 1006.09 of the Standard Specifications.
Anchor bolts shall be ASTM F1554 all-thread (or an Engineer-approved alternate material) of the grade(s) and diameter(s) specified. ASTM A307 Grade C anchor bolts may be used in lieu of ASTM F1554 Grade 36 (Fy=36ksi). The corresponding specified grade of AASHTO M314 anchor bolts may be used in lieu of ASTM F1554. Anchor bolts for side retainers may be cast in place or installed in holes drilled before or after members are in place. Drilled and set anchor bolts shall be installed according to Article 521.06 of the Standard Specifications.

DESIGNED	MJL
CHECKED	PMH
DRAWN	RJ
CHECKED	BKB

McDonough Associates Inc.
Engineers / Architects
130 East Randolph Street
Chicago, Illinois 60601
(312) 946-8600

DIAPHRAGM ELEVATIONS & DETAILS
STRUCTURE NO. 099-0347

SHEET NO. SF11	F.A.I. RTE.	SECTION	COUNTY	TOTAL SHEETS	SHEET NO.
	55	92-2HB-2B-1	WILL	756	513
SF24 SHEETS		SN 099-0347	CONTRACT NO. 60F12		
		FED. ROAD DIST. NO.	ILLINOIS	FED. AID PROJECT	