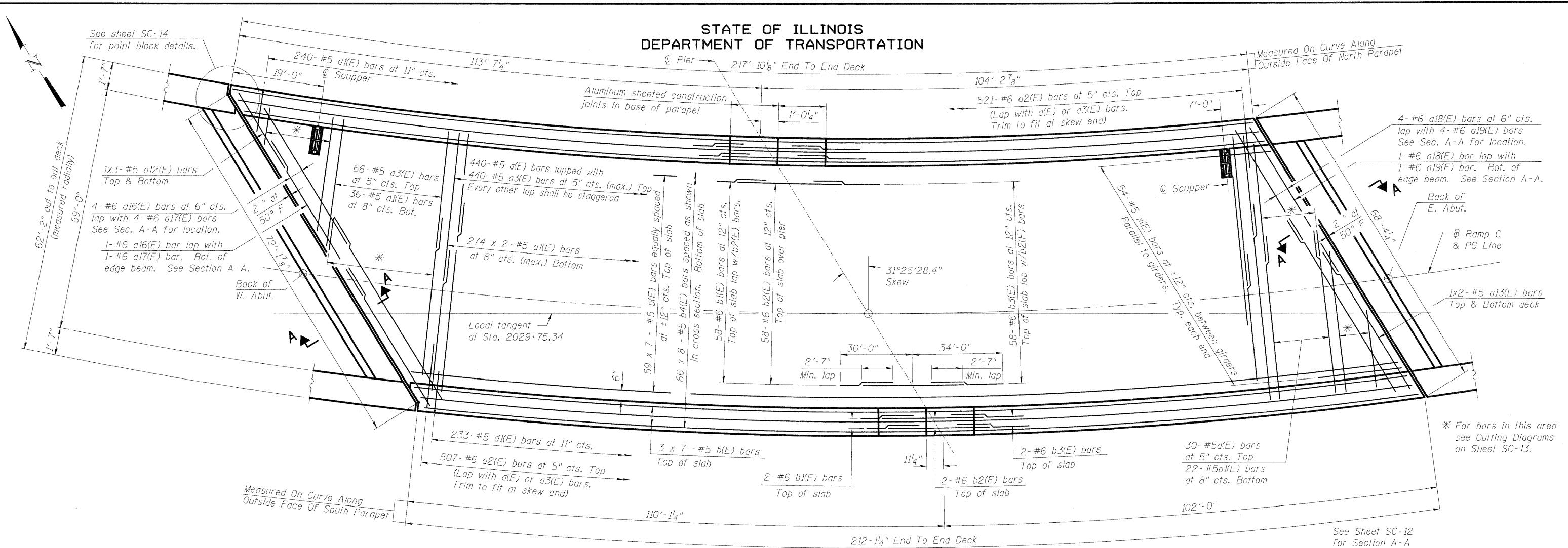
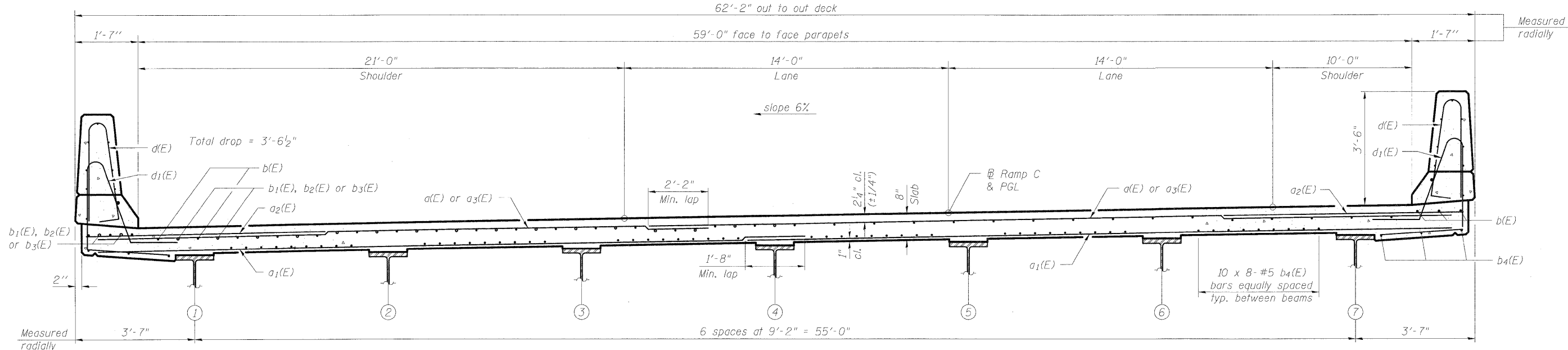


STATE OF ILLINOIS  
DEPARTMENT OF TRANSPORTATION



PLAN



NEAR PIER

NEAR MIDSPAN

DECK PLAN AND CROSS SECTION  
STRUCTURE NO. 099-0348

CROSS SECTION  
(Looking East)

DESIGNED	MGB
CHECKED	PMH
DRAWN	AMV
CHECKED	PMH

**McDonough Associates Inc.**  
Engineers / Architects  
130 East Randolph Street  
Chicago, Illinois 60601  
(312) 946-8600

SHEET NO. SC-10 SHEETS SC-37	F.A.I. RTE.	SECTION	COUNTY	TOTAL SHEETS	SHEET NO.
	55	(99-1&2) R-6	WILL	756	536
FED. ROAD DIST. NO.			ILLINOIS FED. AID PROJECT		
CONTRACT NO. 60F12					