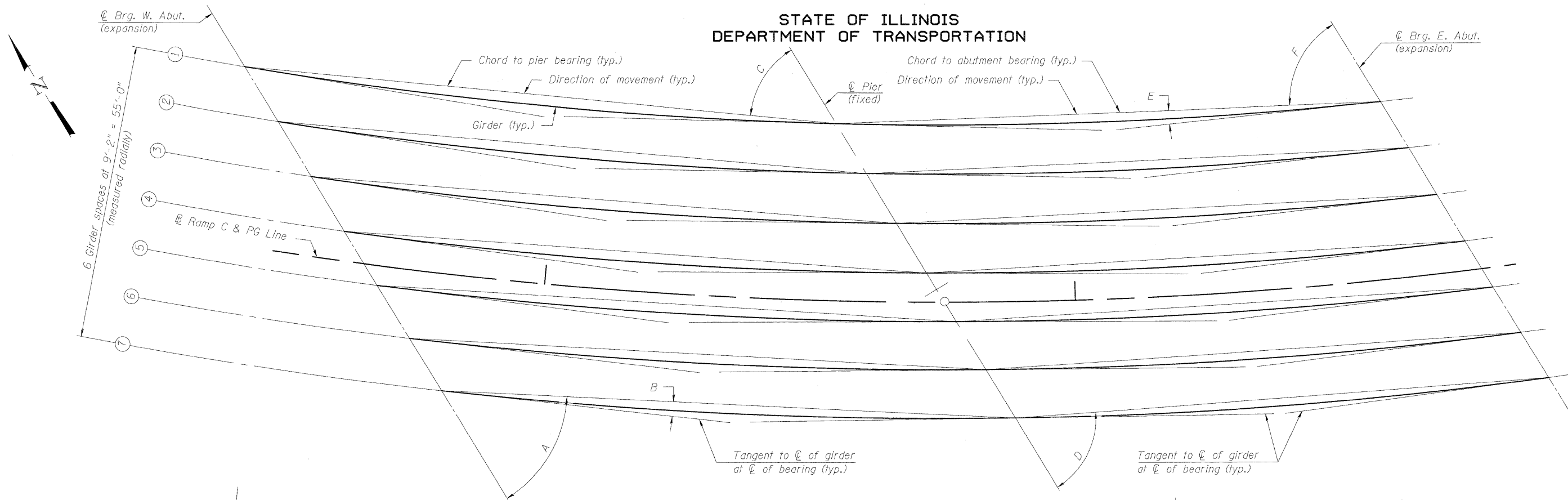
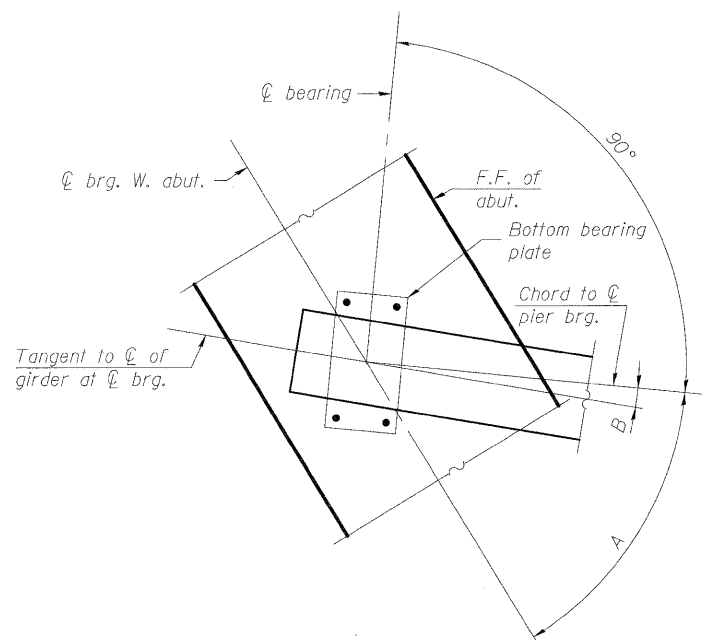


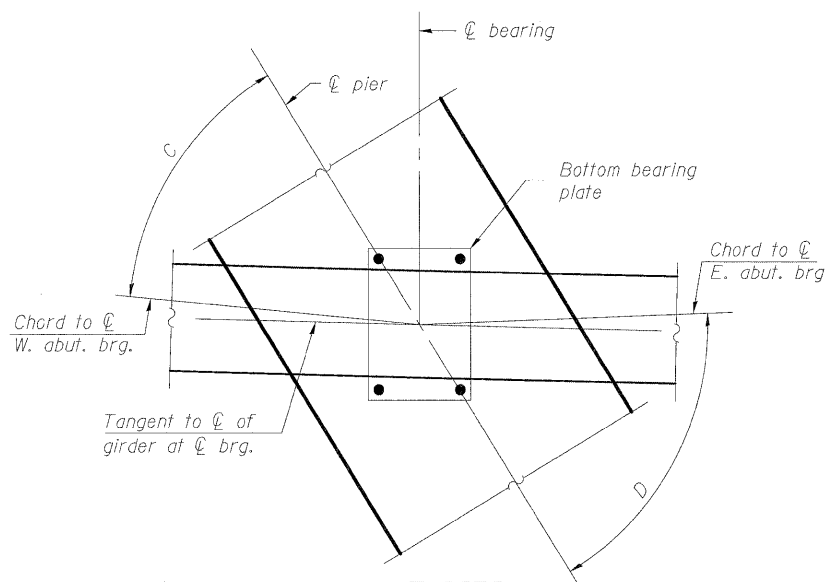
STATE OF ILLINOIS
DEPARTMENT OF TRANSPORTATION



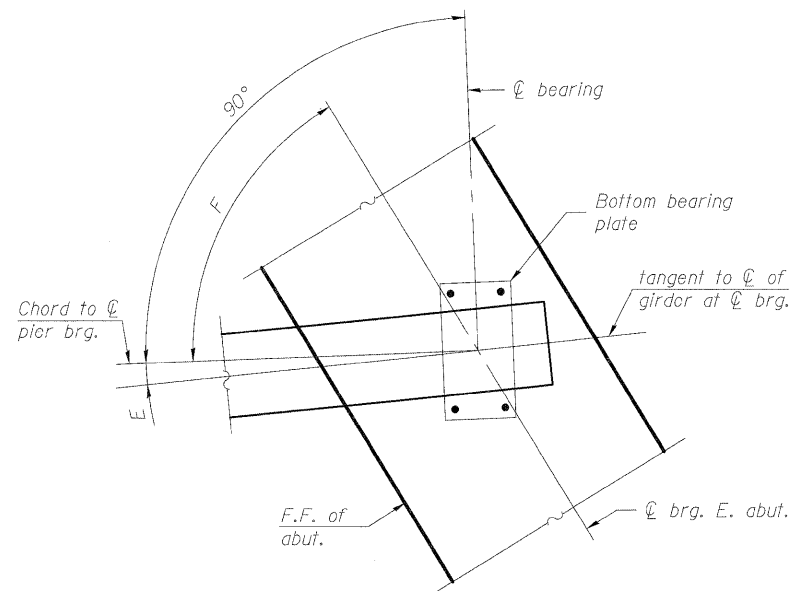
PLAN



AT WEST ABUTMENT



AT PIER



AT EAST ABUTMENT

ENLARGED PARTIAL PLAN

- Notes:
1. For Steel Framing Plan, see Sheet No. SC-16.
 2. For Girder Elevations, see Sheet No. SC-16.
 3. For Cross-Frame Details, see Sheet No. SC-16 & SC-19.
 4. For Camber Diagram and Top of Web Elevations, see Sheet SC-
 5. For Splice Details, see Sheet No. SC-18.
 6. For Bearing Layout, see Sheet No. SC-21.
 7. For Bearing Details, see Sheet No. SC-22 & SC-23.

LAYOUT ANGLES

GIRDER	WEST ABUTMENT		PIER		EAST ABUTMENT	
	A	B	C	D	E	F
1	53°7'26"	3°59'59"	53°7'26"	60°47'20"	3°39'55"	60°47'20"
2	53°36'42"	3°55'46"	53°36'42"	61°9'8"	3°36'40"	61°9'8"
3	54°5'7"	3°51'44"	54°5'7"	61°30'22"	3°33'31"	61°30'22"
4	54°32'44"	3°47'51"	54°32'44"	61°51'3"	3°30'28"	61°51'3"
5	54°59'36"	3°44'6"	54°59'36"	62°11'13"	3°27'31"	62°11'13"
6	55°25'43"	3°40'31"	55°25'43"	62°30'53"	3°24'39"	62°30'53"
7	55°51'9"	3°37'3"	55°51'9"	62°50'5"	3°21'53"	62°50'5"

DESIGNED	MJL
CHECKED	MGB
DRAWN	AMV
CHECKED	MGB



McDonough Associates Inc.
Engineers / Architects
130 East Randolph Street
Chicago, Illinois 60601
(312) 946-8600

SHEET NO. SC-21 SHEETS SC-37	F.A.I. RTE.	SECTION	COUNTY	TOTAL SHEETS	SHEET NO.
	55	(99-1&2) R-6	WILL	756	547
FED. ROAD DIST. NO.			ILLINOIS FED. AID PROJECT		
CONTRACT NO. 60F12					

BEARING LAYOUT
STRUCTURE NO. 099-0348