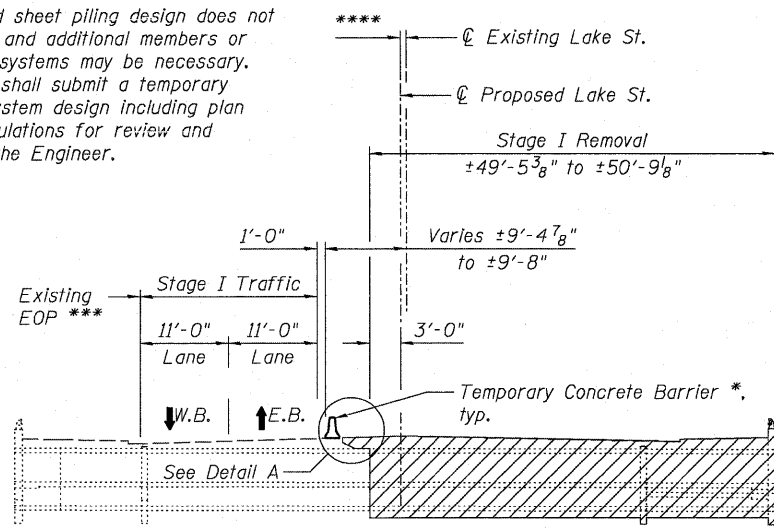
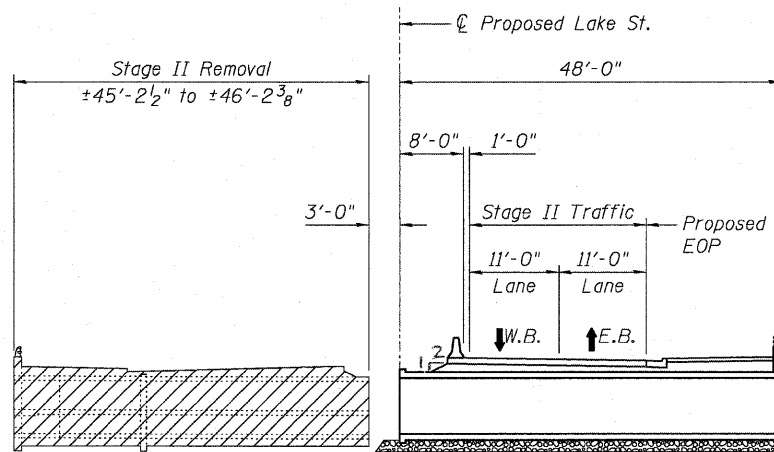


A cantilevered sheet piling design does not appear feasible and additional members or other retention systems may be necessary. The Contractor shall submit a temporary soil retention system design including plan details and calculations for review and acceptance by the Engineer.

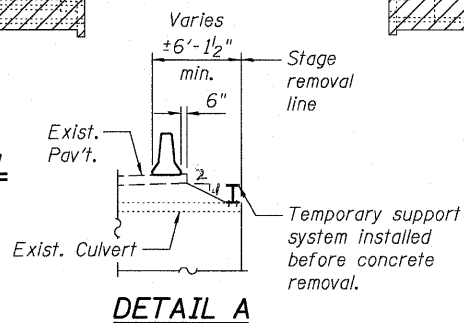
STATE OF ILLINOIS
DEPARTMENT OF TRANSPORTATION



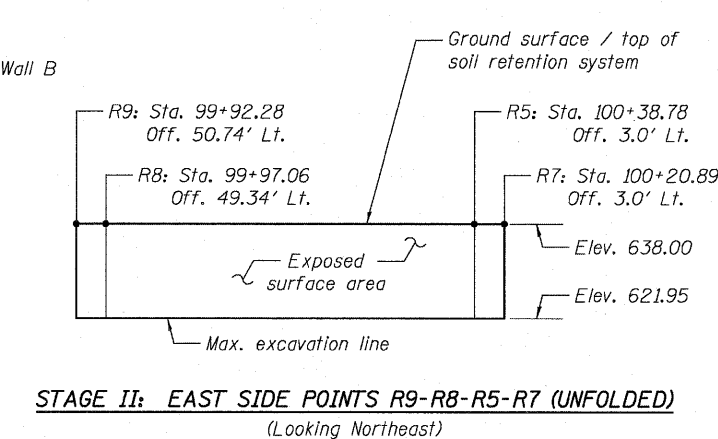
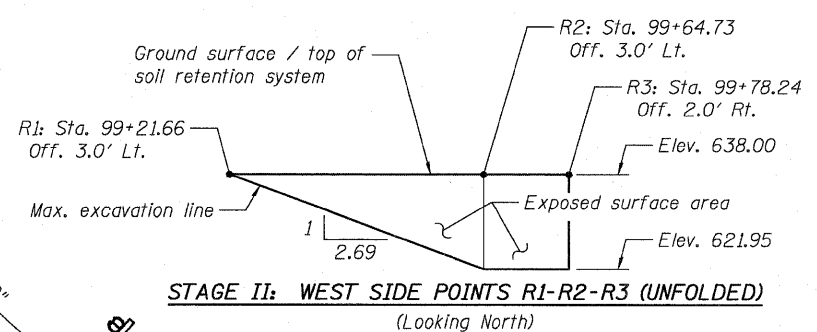
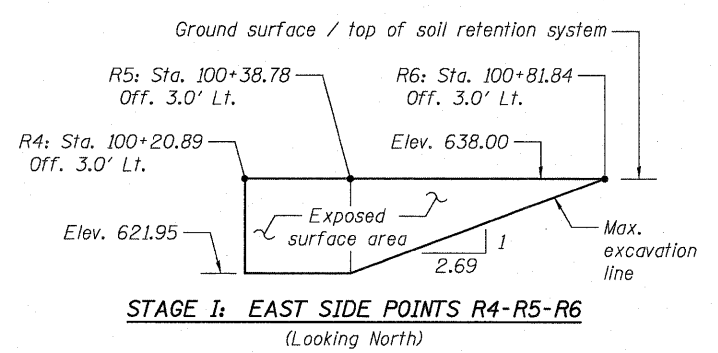
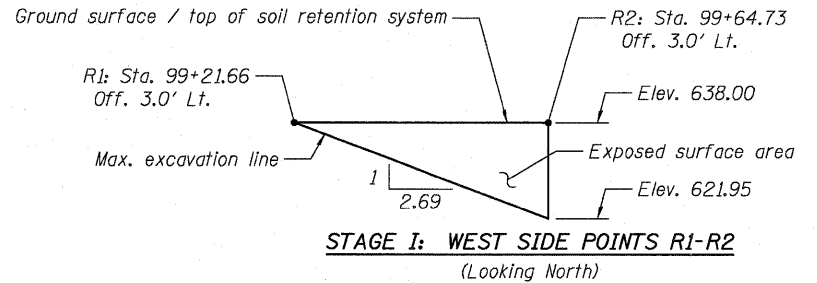
LONGITUDINAL SECTION
(Looking East - Dim. at Rt. L's to \varnothing Roadway)
STAGE I TRAFFIC AND STAGE I REMOVAL



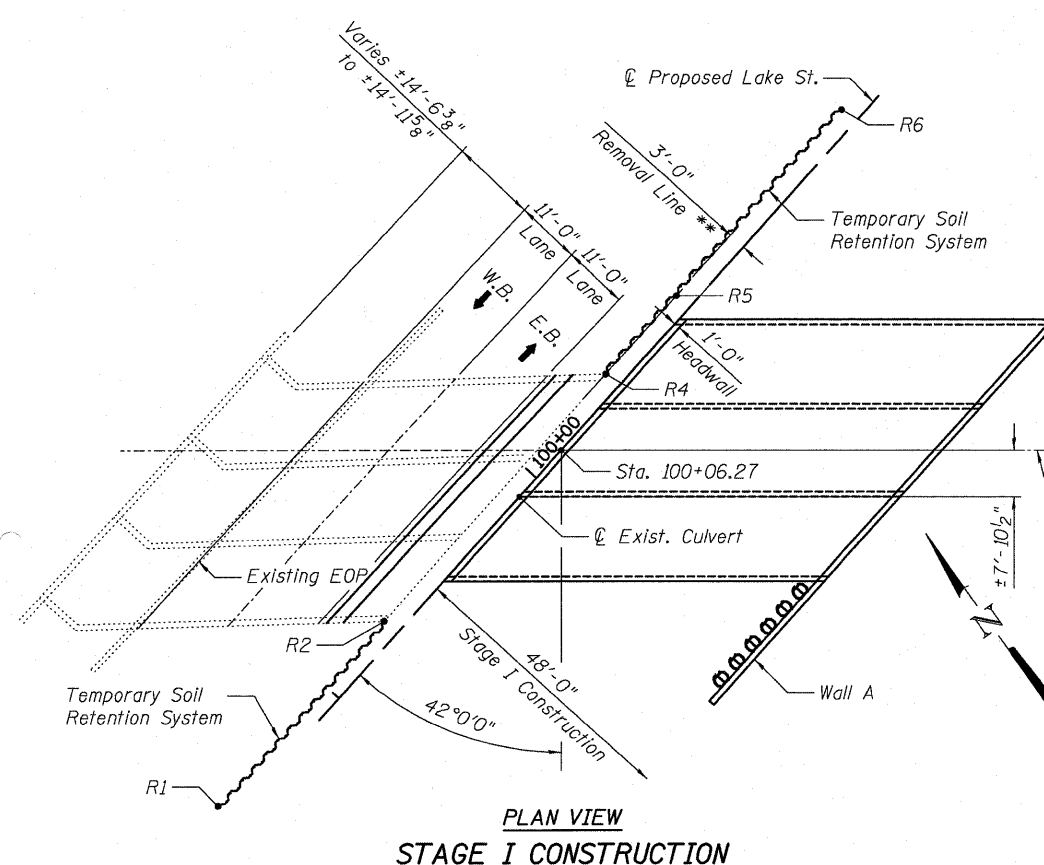
LONGITUDINAL SECTION
(Looking East - Dim. at Rt. L's to \varnothing Roadway)
STAGE II TRAFFIC AND STAGE II REMOVAL



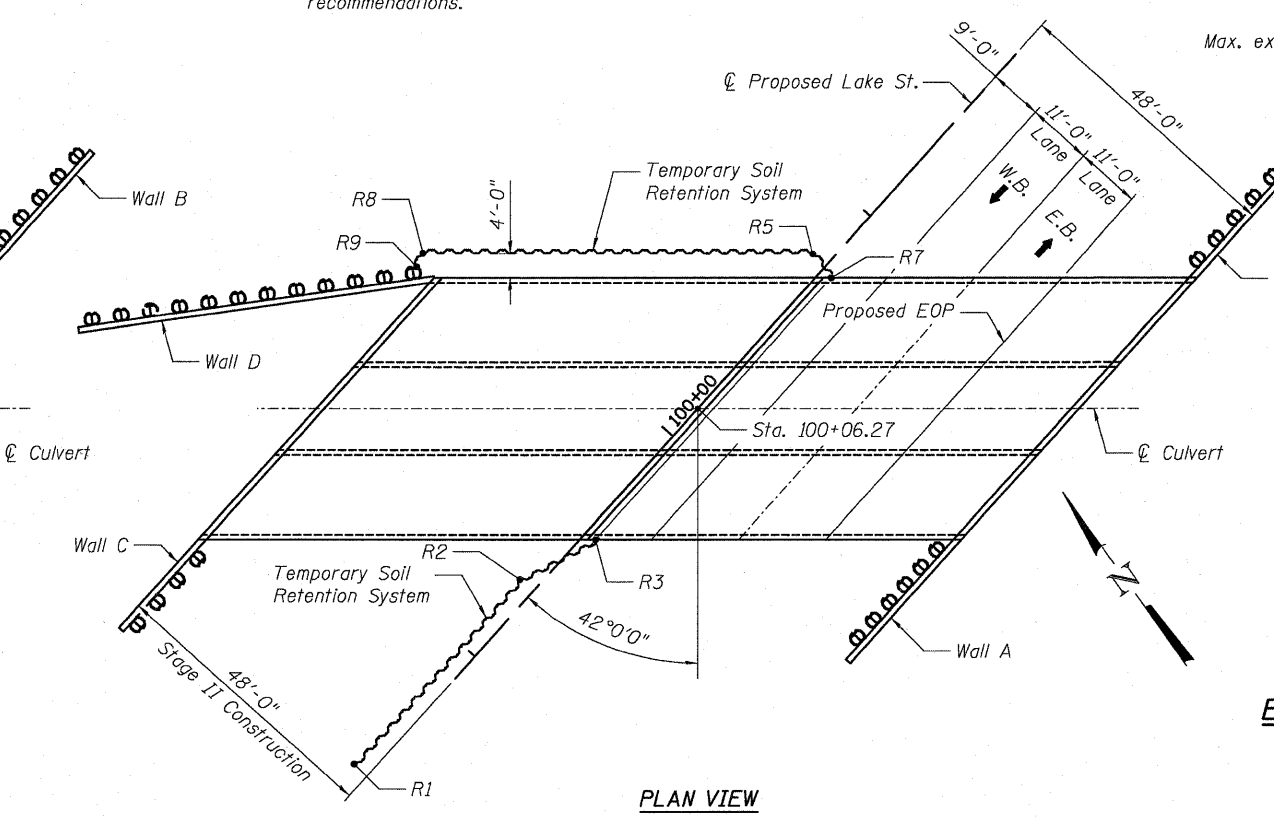
* The Temporary Concrete Barrier shall be anchored to the existing and proposed pavement. The anchor detail will be similar to the detail shown for Existing Slab on Sheet 16 of 19 (Temporary Concrete Barrier for Stage Construction) except that the depth of drilled hole shall be adequate to accommodate the anchor pin shown in Standard 704001 (Temporary Concrete Barrier). After the removal of the anchor pins and temporary concrete barriers, all holes in the proposed PCC pavement shall be filled flush with the pavement surface using a nonshrink grout according to Section 1024 placed according to the manufacturer's recommendations.



ELEVATION - TEMPORARY SOIL RETENTION SYSTEM



PLAN VIEW
STAGE I CONSTRUCTION



PLAN VIEW
STAGE II CONSTRUCTION

Wall D soldier piles and timber lagging shall be in place prior to excavation and removal of the existing culvert. The Temporary Soil Retention System shall connect to soldier pile PD12 at point R9.

** Removal Line is parallel to \varnothing Proposed Lake St.
*** Stage I Traffic is parallel to existing EOP.
**** The offset from the \varnothing Proposed Lake St. to \varnothing Existing Lake St. varies from ±2' 8\"/>

DESIGNED	MAS
CHECKED	BJM
DRAWN	MAS
CHECKED	BRT

STAGING DETAILS
STRUCTURE NO. 016-2630



Wight & Company
2500 North Frontage Road, Darien, IL 60561
630.969.7000 630.969.7979 fax
Design Firm Registration 184-000451

SHEET NO. 3 19 SHEETS	F.A.U. RTE. 3537	SECTION 3264-T	COUNTY COOK	TOTAL SHEETS 110	SHEET NO. 47
	CONTRACT NO. 60H44				
ILLINOIS FED. AID PROJECT					

G:\ENGIN\06-6790-17 Lake St Triple Box Culvert\CAD\Structures\SHA\0162630-60H44-003-Staging.dgn 10:59:46 AM Default 3/2/2011