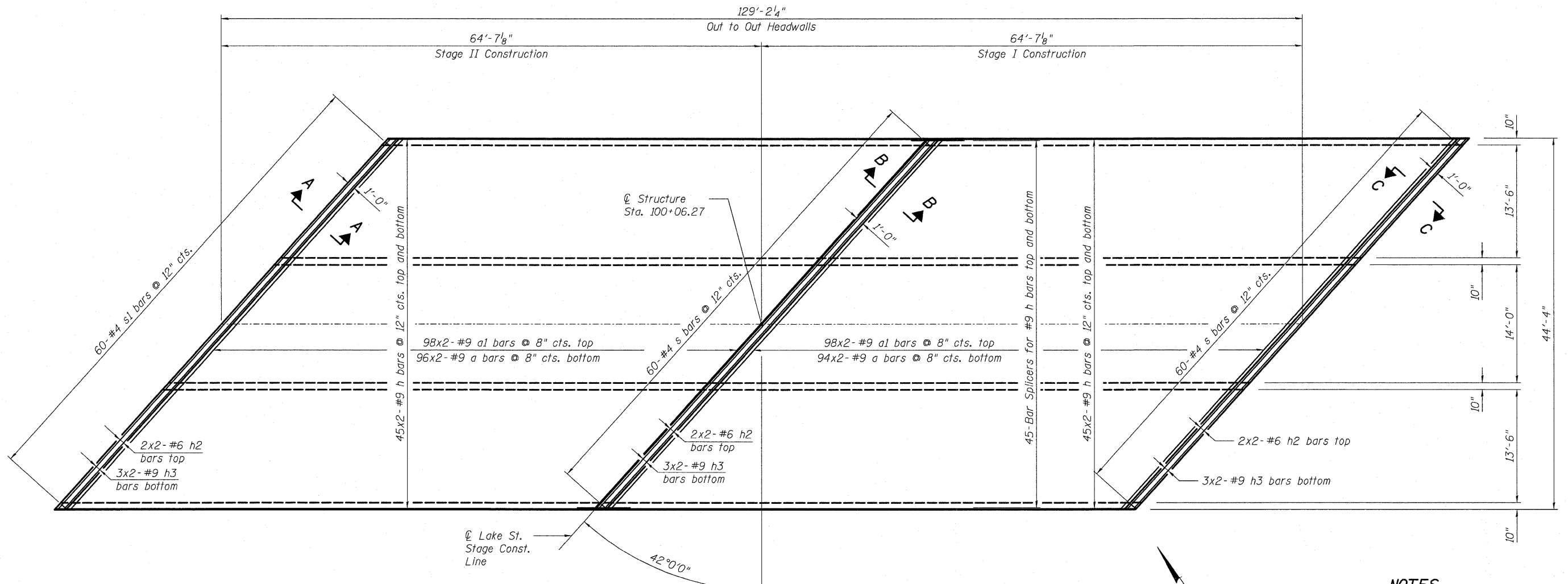


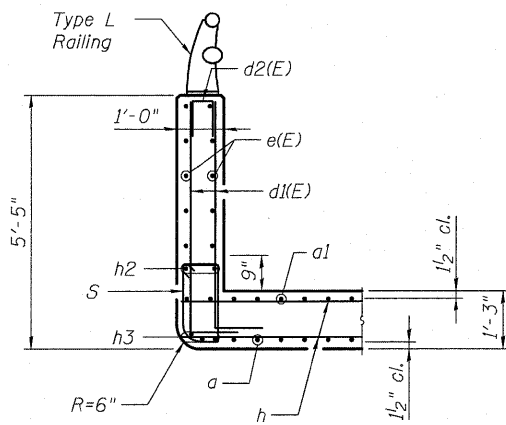
STATE OF ILLINOIS
DEPARTMENT OF TRANSPORTATION



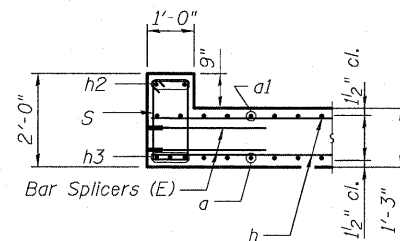
TOP SLAB PLAN

NOTES:

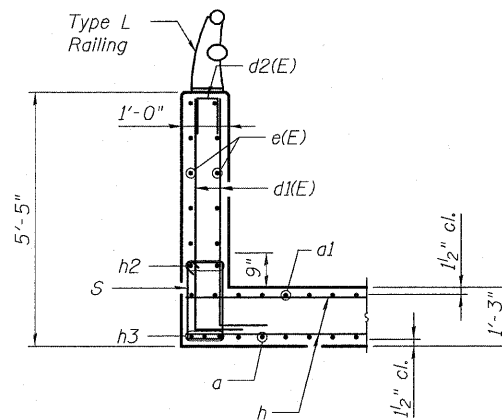
1. For Bill of Material see Sheet 6.
2. For lap length see Sheet 2
3. Bars indicated thus 45x2-#9 etc. indicates 45 lines of bars with 2 lengths per line.



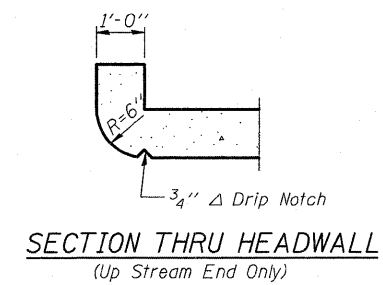
SECTION A-A
(Upstream End)



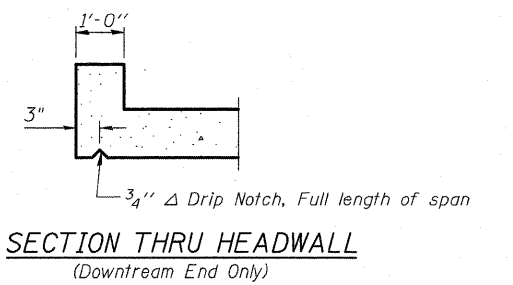
SECTION B-B
(Stage Construction Joint)



SECTION C-C
(Downstream End)



SECTION THRU HEADWALL
(Up Stream End Only)



SECTION THRU HEADWALL
(Downstream End Only)

TOP SLAB REINFORCEMENT PLAN
STRUCTURE NO. 016-2630

DESIGNED	MAS
CHECKED	BJM
DRAWN	MAS
CHECKED	BJM



Wight & Company
2500 North Frontage Road, Darien, IL 60561
630.969.7000 630.969.7979 fax
Design Firm Registration 184-000451

SHEET NO. 5 19 SHEETS	F.A.U. RTE.	SECTION	COUNTY	TOTAL SHEETS	SHEET NO.
	3537	3264-T	COOK	110	49
			CONTRACT NO. 60H44		
ILLINOIS FED. AID PROJECT					