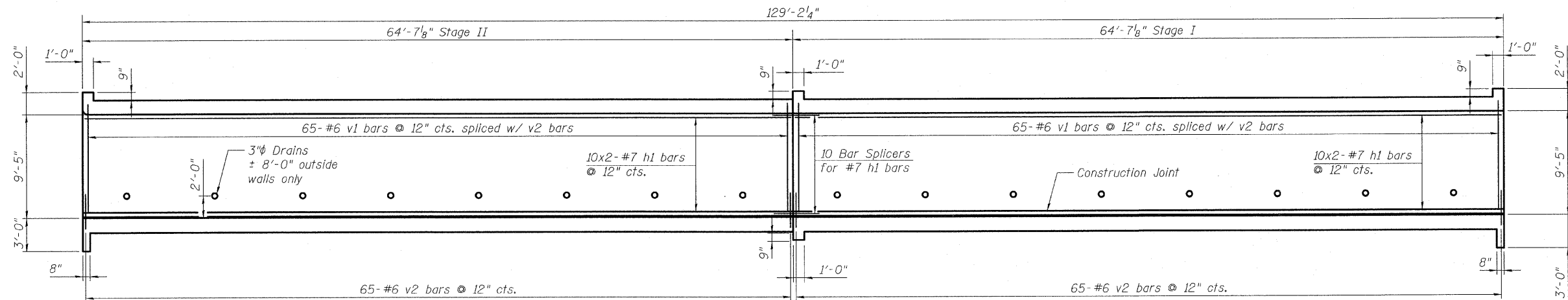


STATE OF ILLINOIS
DEPARTMENT OF TRANSPORTATION

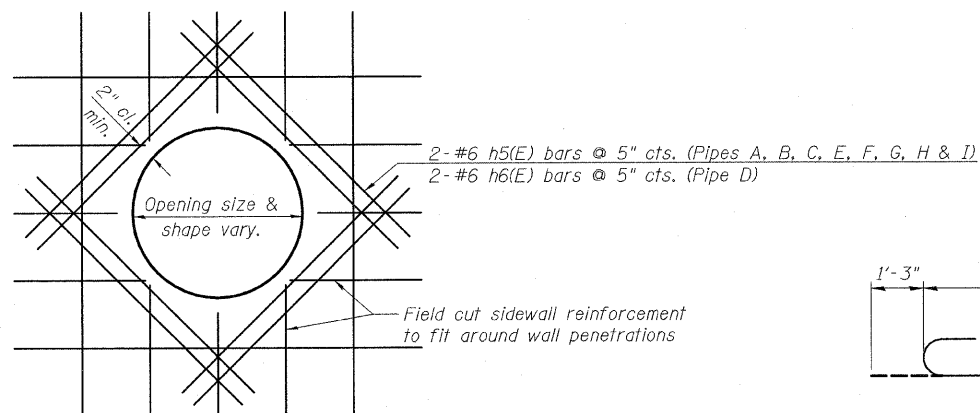
Lake St. & Stg. Const. Line



WALL ELEVATION
Looking East

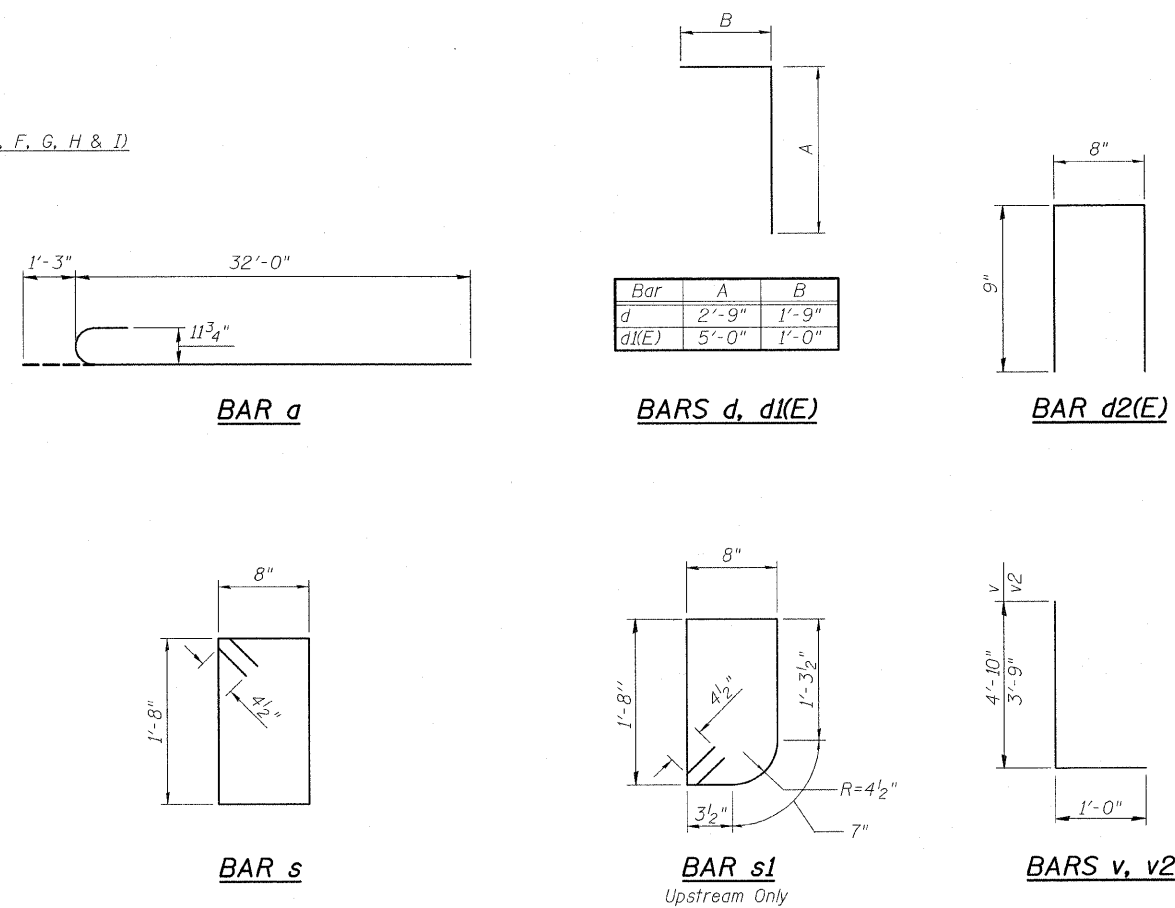
CULVERT
BILL OF MATERIAL

| Bar | No. | Size | Length | Shape |
|----------------------------------|-----|---------|---------|-------|
| a | 768 | #9 | 33'-3" | C |
| a1 | 784 | #9 | 32'-0" | — |
| a2 | 4 | #4 | 30'-4" | — |
| d | 120 | #5 | 4'-6" | J |
| d1(E) | 244 | #6 | 6'-0" | J |
| d2(E) | 32 | #4 | 2'-2" | J |
| e(E) | 40 | #4 | 31'-0" | — |
| h | 720 | #9 | 34'-6" | — |
| h1 | 160 | #7 | 34'-0" | — |
| h2 | 16 | #6 | 30'-8" | — |
| h3 | 24 | #9 | 32'-0" | — |
| h4 | 16 | #4 | 20'-0" | — |
| h5 | 40 | #6 | 4'-10" | — |
| h6 | 8 | #6 | 7'-0" | — |
| s | 180 | #4 | 5'-5" | D |
| s1 | 60 | #4 | 5'-3" | D |
| v | 56 | #6 | 5'-10" | J |
| v1 | 520 | #6 | 9'-10" | — |
| v2 | 520 | #6 | 4'-9" | J |
| Concrete Box Culverts | | Cu. Yd. | 730 | |
| Reinforcement Bars, Epoxy Coated | | Pound | 3,080 | |
| Reinforcement Bars | | Pound | 285,020 | |
| Bar Splicers | | Each | 220 | |



PIPE PENETRATION DETAIL

For pipe penetration size & locations see Sheet 1.



| Bar | A | B |
|-------|-------|-------|
| d | 2'-9" | 1'-9" |
| d1(E) | 5'-0" | 1'-0" |

NOTES:

- For Bill of Material see Sheet 6.
- For lap length see Sheet 2.
- Slab reinforcement not shown for clarity.
- Bars indicated thus 45x2-#9 etc. indicates 45 lines of bars with 2 lengths per line.

CULVERT WALLS
STRUCTURE NO. 016-2630

| | |
|----------|-----|
| DESIGNED | MAS |
| CHECKED | BJM |
| DRAWN | MAS |
| CHECKED | BJM |



Wight & Company
2500 North Frontage Road, Darien, IL 60561
630.969.7000 630.969.7979 fax
Design Firm Registration 184-000451

| | | | | | |
|---------------------------|---------------------|-------------------|----------------|---------------------|-----------------|
| SHEET NO. 6 19 SHEETS | F.A.U. RTE. 3537 | SECTION 3264-T | COUNTY COOK | TOTAL SHEETS 110 | SHEET NO. 50 |
| | CONTRACT NO. 60H44 | | | | |
| ILLINOIS FED. AID PROJECT | | | | | |

3/17/2011 10:22:46 AM Default G:\ENC\06-6790-17 Lake St. Triple Box Culvert\CAD\Structures\Str\0162630-60H44-06-CulvertWalls.dgn