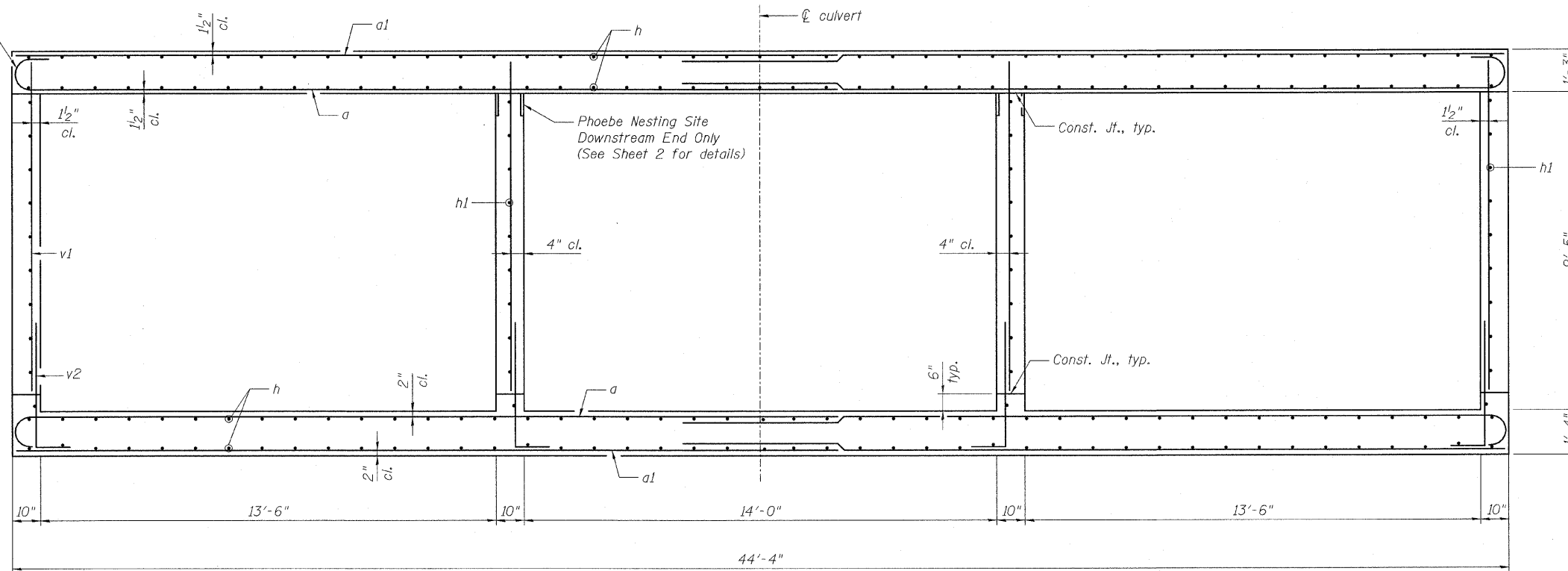
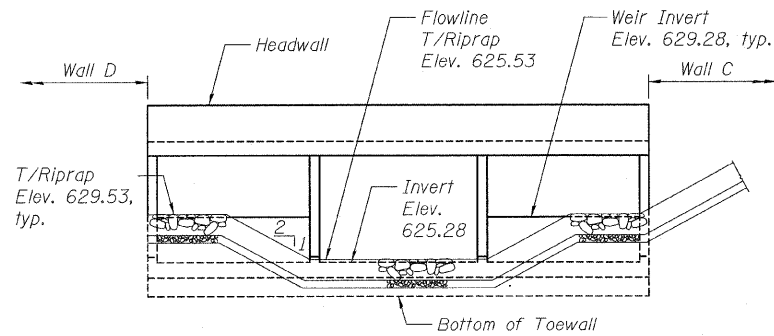


STATE OF ILLINOIS  
DEPARTMENT OF TRANSPORTATION

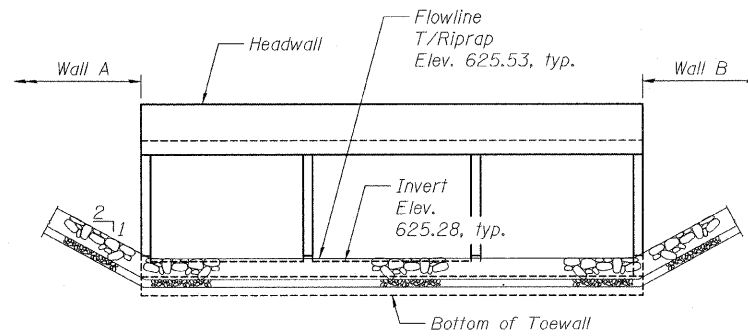
Tilt hook of a bars if necessary for 1/2" min. cl.



**CROSS SECTION**



**RIPRAP AT UPSTREAM END OF CULVERT**  
(Looking South - Slopes shown at right L's to  $\phi$  channel)



**RIPRAP AT DOWNSTREAM END OF CULVERT**  
(Looking North - Slopes shown at right L's to  $\phi$  channel)

**NOTES:**

1. For Bill of Material see Sheet 6.
2. For lap length see Sheet 2.

**CROSS SECTION  
STRUCTURE NO. 016-2630**

DESIGNED	MAS
CHECKED	BJM
DRAWN	MAS
CHECKED	BJM



**Wight & Company**  
2500 North Frontage Road, Darien, IL 60561  
630.969.7000 630.969.7979 fax  
Design Firm Registration 184-000451

SHEET NO. 7 19 SHEETS	F.A.U. RTE. 3537	SECTION 3264-T	COUNTY COOK	TOTAL SHEETS 110	SHEET NO. 51
	CONTRACT NO. 60H44				
ILLINOIS FED. AID PROJECT					