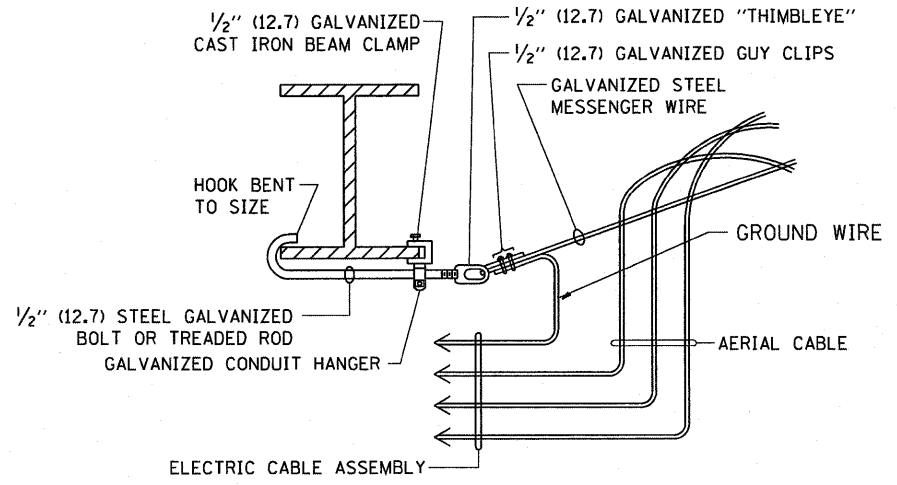


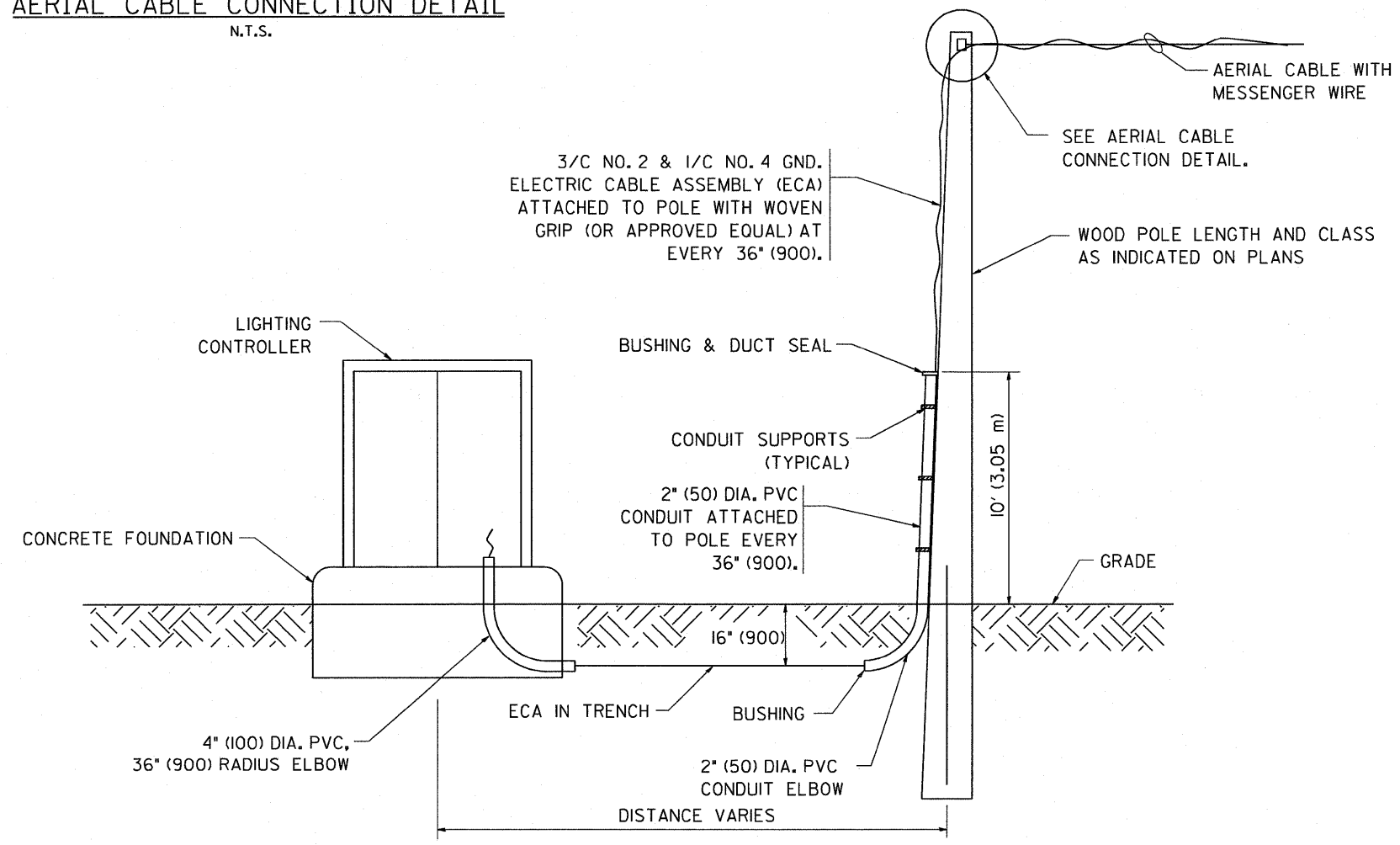
AERIAL CABLE CONNECTION DETAIL
N.T.S.



AERIAL CABLE ATTACHED TO STRUCTURE
NOT TO SCALE

NOTES:

1. ALL DIMENSIONS IN INCHES (MILLIMETERS) UNLESS OTHERWISE INDICATED.
2. SEE PROPOSED LIGHTING PLAN FOR CONDUIT, CABLE AND ROUTING.
3. THE CONTRACTOR SHALL PROVIDE INTERMEDIATE SUPPORTS TO MAINTAIN MINIMUM CLEARANCES. REFER TO AERIAL AERIAL CABLE ATTACHED TO STRUCTURE DETAIL.
4. COST OF SPLICES AND MOUNTING HARDWARE SHALL BE INCLUDED IN THE UNIT PRICE FOR AERIAL CABLE.



WOOD POLE TO LIGHTING CONTROLLER WIRING CONNECTION DETAIL
N.T.S.

FILE NAME = W:\distatd\22x34\be801.dgn	USER NAME = gegl1anobt	DESIGNED - DRAWN -	REVISED - 08-08-03 REVISED -	STATE OF ILLINOIS DEPARTMENT OF TRANSPORTATION	TEMPORARY AERIAL CABLE INSTALLATION			F.A.U. 3537	SECTION 3264-T	COUNTY COOK	TOTAL SHEETS 110	SHEET NO. 76
PLOT SCALE = 50,000' / IN.	CHECKED -	REVISED -	REVISED -		SCALE: NONE	SHEET NO.	OF SHEETS	STA.	TO STA.	BE-801		
PLOT DATE = 1/4/2009	DATE -	REVISED -	REVISED -		FED. ROAD DIST. NO. 1 ILLINOIS FED. AID PROJECT							