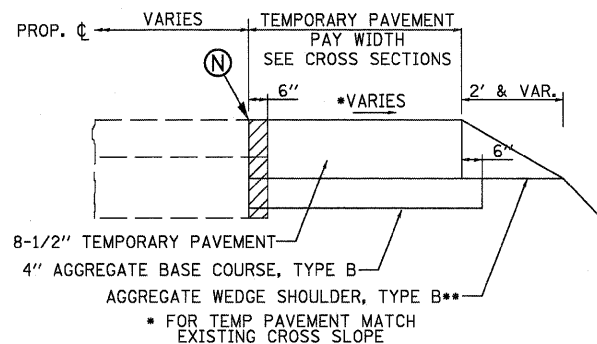


TEMP PAVEMENT: STA. 432+31.18 TO STA. 441+13.79
STA. 441+80.09 TO STA. 449+53.82
STAGE 1 WORK TO BE COMPLETED UTILIZING STD. 701326

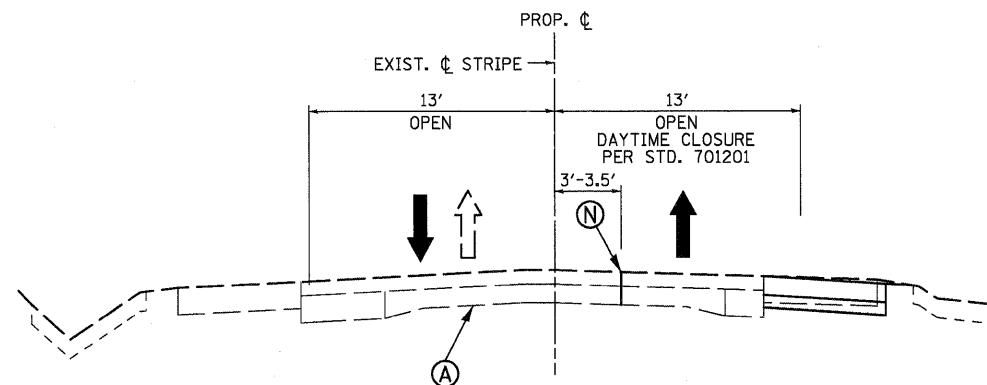
EXISTING GUARDRAIL:
STA. 439+85.5 TO STA. 442+46, RT.

- MATCH EXISTING CROSS SLOPE



TEMPORARY PAVEMENT DETAIL

**AGGREGATE WEDGE TO BE CONSTRUCTED ADJACENT TO ALL TEMPORARY PAVEMENT WIDENING ADJACENT CONSTRUCTED IN STAGE 1A

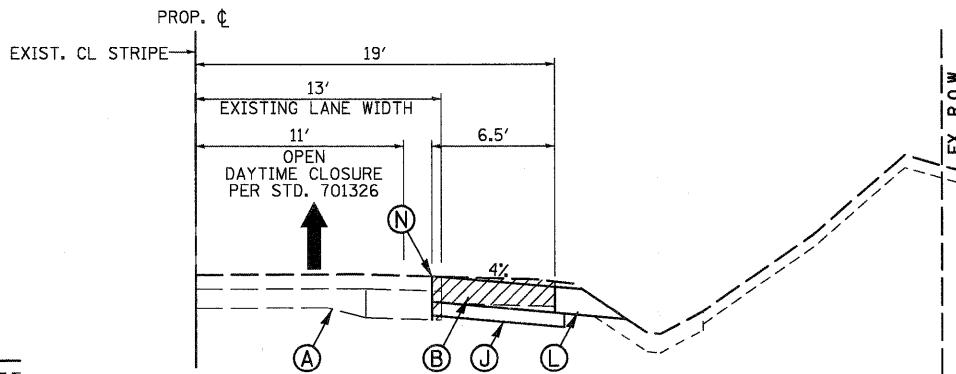


SAW CUT: STA. 432+31 TO STA. 441+14
SAW CUT: STA. 442+03 TO STA. 449+54

IT IS ANTICIPATED THAT THE LOCATION OF BARRIER WALL WHEN SET MAY NOT ALLOW ADEQUATE ROOM TO PERFORM SAWCUT REQUIRED FOR PAVEMENT REMOVAL IN STAGE 1. THE CONTRACTOR MAY SAW CUT PAVEMENT FULL DEPTH AS A SEPARATE OPERATION UTILIZING STANDARD 701201 OR PERFORM SAW CUT CONCURRENT WITH CONSTRUCTION OF THE TEMPORARY PAVEMENT WIDENING.

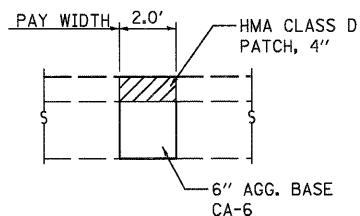
STANDARD 701201 OR 701326 SHALL ONLY BE PAID FOR ONCE REGARDLESS OF HOW MANY WORK OPERATIONS ARE PERFORMED UNDER THE STANDARD. CONTRACTOR WILL ONLY BE PAID FOR THE APPLICABLE STANDARD IF WORK IS ACTUALLY PERFORMED UNDER THAT STANDARD.

AN ADDITIONAL SAW CUT MAY BE RELINED AFTER TEMPORARY OVERLAY IS COMPLETED IN STAGE 1C. SEE DETAIL FOR TEMPORARY OVERLAY AND DRIVEWAY ACCESS.



4% TEMP PAVEMENT: STA. 431+29.00 TO STA. 432+31.18
STA. 449+53.82 TO STA. 450+50.00
STAGE 1 WORK TO BE COMPLETED UTILIZING STD. 701326

*THIS PORTION OF TEMPORARY PAVEMENT WILL BE LEFT IN PLACE AS PERMANENT SHOULDER

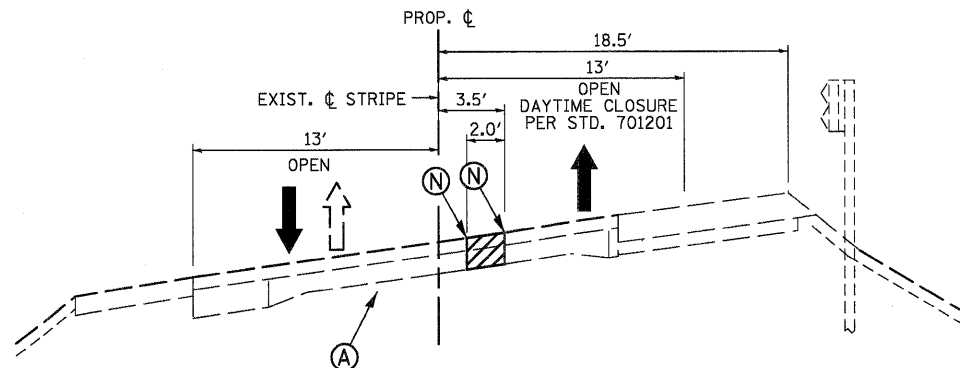


**PAVEMENT PATCH FOR
TEMPORARY SHEET PILING**

STA. 437+87.0 TO STA. 440+88.0
STA. 442+05.0 TO STA. 444+75.0

THE CONTRACTOR MAY CONSTRUCT CLASS D PATCH AS A SEPARATE OPERATION UTILIZING STANDARD 701201 OR PERFORM PATCHING CONCURRENT WITH CONSTRUCTION OF THE TEMPORARY PAVEMENT WIDENING.

AGGREGATE BASE SHALL BE INCLUDED IN COST OF CLASS D PATCH.



SHEET PILING: STA. 437+87.00 TO STA. 440+88.00
STA. 442+05.00 TO STA. 444+75.00

TO ACCOMMODATE THE CONSTRUCTION OF THE TEMPORARY SHEET PILING IN AREAS OF PAVEMENT BREAKING WHERE THE EXISTING PAVEMENT WILL BE LEFT IN PLACE, THE CONTRACTOR MAY BE REQUIRED TO REMOVE A PORTION OF THE EXISTING PAVEMENT TO DRIVE THE SHEET PILING.

ANY PAVEMENT REMOVAL AND SAW CUTS IN THE AREA OF PAVEMENT BREAKING TO ACCOMMODATE CONSTRUCTION OF THE TEMPORARY SHEET PILING WILL NOT BE MEASURED SEPARATELY FOR PAYMENT BUT SHALL BE CONSIDERED INCLUDED IN THE COST OF THE CLASS D PATCH.

SAW CUTS AND PATCHING SHOULD BE PERFORMED IN STAGE 1A OR 1B.

STAGE 1A - MAJOR WORK ITEMS

- REMOVE EXISTING CONCRETE PAVED DITCH STA. 439+29 TO STA. 446+66, RT.
- SAW CUT, REMOVE PAVEMENT AND SHOULDER AND CONSTRUCT TEMPORARY PAVEMENT WIDENING FROM STA. 432+31.18 TO STA. 441+13.79 AND STA. 441+80.09 TO STA. 449+53.82. WORK TO BE COMPLETED UNDER TRAFFIC CONTROL STANDARD 701326.
- CONSTRUCT AGGREGATE WEDGE SHOULDER, TYPE B ADJACENT TO THE TEMPORARY PAVEMENT WIDENING.
- GRADE TEMPORARY DITCHES AND PROVIDE TEMPORARY EROSION CONTROL MEASURES. WORK SHALL BE COMPLETED UNDER TRAFFIC CONTROL STANDARDS 701006, 701011, 701201, OR 701326.

STAGE 1B - MAJOR WORK ITEMS

- CONSTRUCT FULL DEPTH SAW CUT FROM STA. 432+31.18 TO STA. 441+13.79 AND STA. 441+80.09 TO STA. 449+53.82. SAW CUT REQUIRED FOR PAVEMENT REMOVAL TO BE COMPLETED IN STAGE 1. WORK TO BE COMPLETED UNDER TRAFFIC CONTROL STANDARD 701201 OR 701326.
- CONSTRUCT PAVEMENT REMOVAL AND CLASS D PATCH FROM STA. 432+31.18 TO STA. 441+13.79 AND STA. 441+80.09 TO STA. 449+53.82. PAVEMENT REMOVAL AND CLASS D PATCH REQUIRED TO ACCOMMODATE CONSTRUCTION OF THE TEMPORARY SHEET PILING IN STAGE 1. WORK TO BE COMPLETED UNDER TRAFFIC CONTROL STANDARD 701201.

STAGE 1C - MAJOR WORK ITEMS

- CONSTRUCT BUTT JOINT FOR TEMPORARY OVERLAY STA. 433+70 TO STA. 434+00 AND STA. 437+90 TO STA. 438+20.
- CONSTRUCT TEMPORARY RAMP STA. 433+70 TO STA. 433+74.50 AND STA. 438+15.50 TO STA. 438+20.
- CONSTRUCT TEMPORARY HMA OVERLAY FROM STA. 433+70 TO STA. 437+20 TO ACCOMMODATE DRIVEWAY ACCESS IN STAGE 1.
- CONSTRUCT ADDITIONAL SAW CUT REQUIRED FOR PAVEMENT REMOVAL TO BE COMPLETED IN STAGE 1.
- ALL WORK IN STAGE 1C TO BE COMPLETED UNDER TRAFFIC CONTROL STANDARD 701201.

LEGEND

- (A) EXIST. PAVEMENT STRUCTURE
- (B) EXIST. PAVEMENT AND SHOULDER STRUCTURE - TO BE REMOVED
- (C) EXIST. GUARDRAIL W/PROP. GUARDRAIL MARKERS
- (D) PROP. PAVEMENT STRUCTURE
- (E) PROP. HMA SURFACE COURSE
- (F) PROP. HMA SHOULDER/AGGREGATE BASE COURSE
- (G) PROP. AGGREGATE SHOULDER
- (H) PROP. AGGREGATE SUB-BASE
- (I) PROP. STEEL PLATE BEAM GUARDRAIL, TYPE A W/GUARDRAIL MKRS.
- (J) 8-1/2", TEMPORARY PAVEMENT W/4" AGGREGATE BASE COURSE
1/2" - HMA SURFACE COURSE, MIX "D", N50
7" - HMA BINDER COURSE, IL-19.0 (2 LIFTS)
(SEE HMA MIXTURE REQUIREMENTS, SHT. 7)
- (K) TEMPORARY SHEET PILING
- (L) AGGREGATE WEDGE SHOULDER, TYPE B
- (M) TEMPORARY PAVEMENT MARKING LINE
- (N) SAW CUT - FULL DEPTH
- (O) SHORT-TERM PAVEMENT MARKINGS
- (P) HMA SURFACE REMOVAL, 2"

FILE NAME = P:\CBBEL_MEST_Projects\2009\09-0147_IL173\Civil\Drawn\Shr\N\DI60125-plt-mot-typl.dgn

WILLS BURKE KELSEY ASSOCIATES LTD.
116 West Main Street, Suite 201
St. Charles, Illinois 60174
(630) 443-7755

USER NAME = #USER#	DESIGNED - SBP/KMA	REVISED -
PLOT SCALE =	DRAWN - AH	REVISED -
PLOT DATE = 1/5/2011	CHECKED - PUF	REVISED -
	DATE - 12/14/10	REVISED -

**STATE OF ILLINOIS
DEPARTMENT OF TRANSPORTATION**

**MAINTENANCE OF TRAFFIC
STAGE 1A & 1B TYPICAL SECTIONS**

SCALE: SHEET NO. 20 OF 106 SHEETS STA. TO STA.

F.A. RTE.	SECTION	COUNTY	TOTAL SHEETS	SHEET NO.
303	132 B-2	McHENRY	106	20
CONTRACT NO. 60I29				
FED. ROAD DIST. NO. ILLINOIS FED. AID PROJECT				