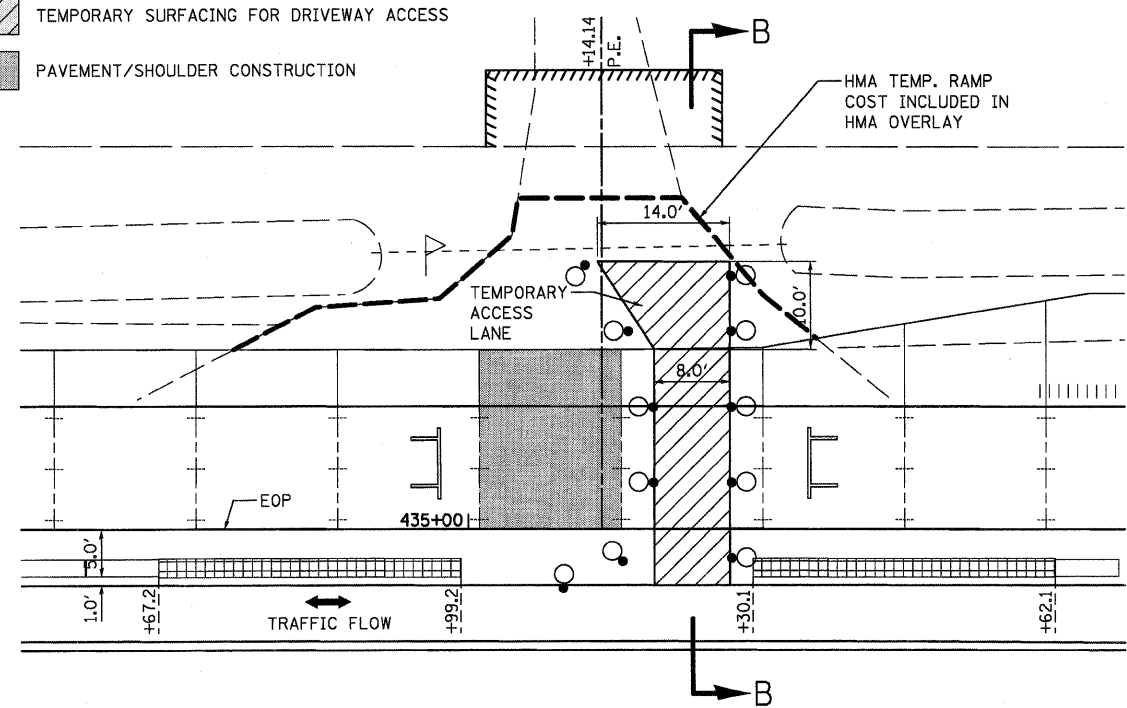


SUBSTAGE 1 - DRIVEWAY ACCESS

GAP DRIVEWAY STA. 435+01.18 TO STA. 435+16.18
 CONSTRUCT ADJACENT PCC PAVEMENT, USE EXISTING
 HMA PAVEMENT FOR ACCESS.

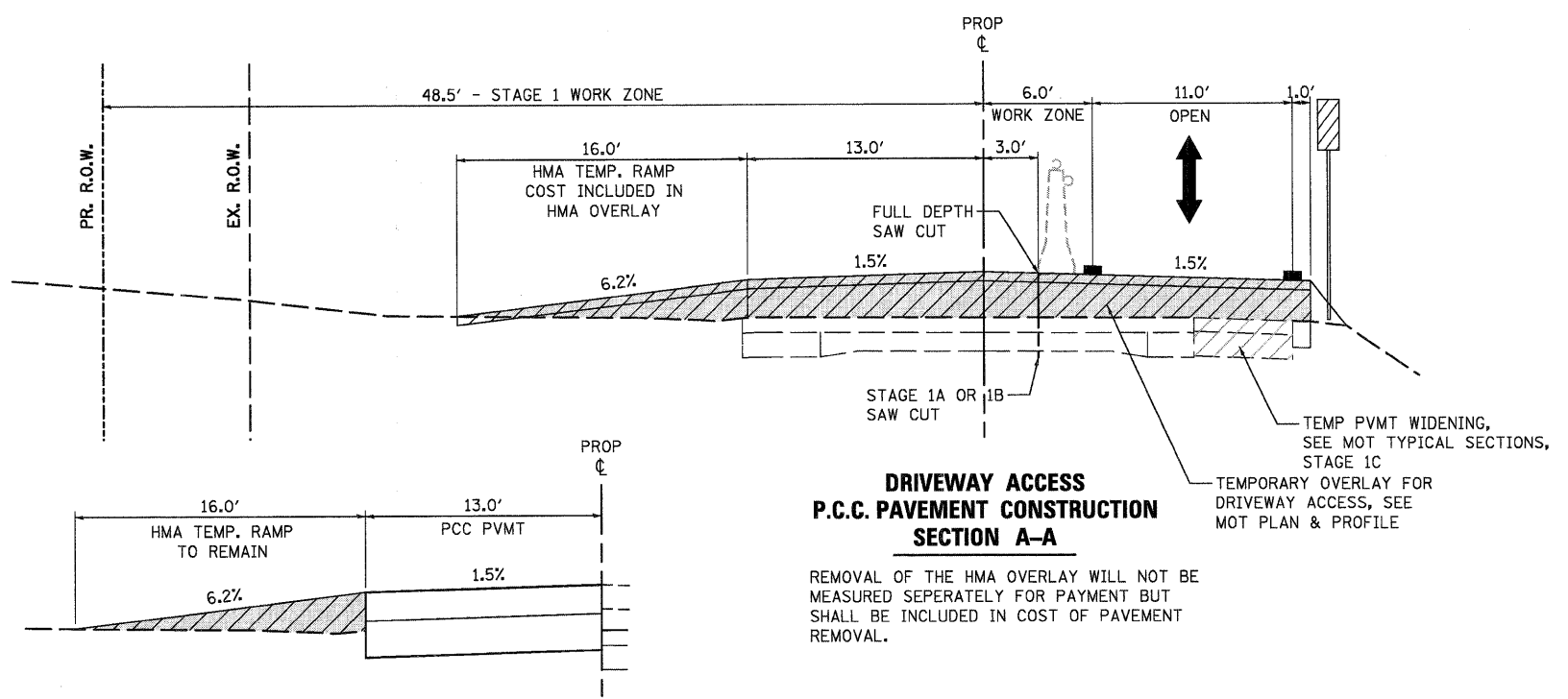
LEGEND

- HMA TEMPORARY RAMP
- ACCESS AREA - EXIST PVMT
- TEMPORARY SURFACING FOR DRIVEWAY ACCESS
- PAVEMENT/SHOULDER CONSTRUCTION



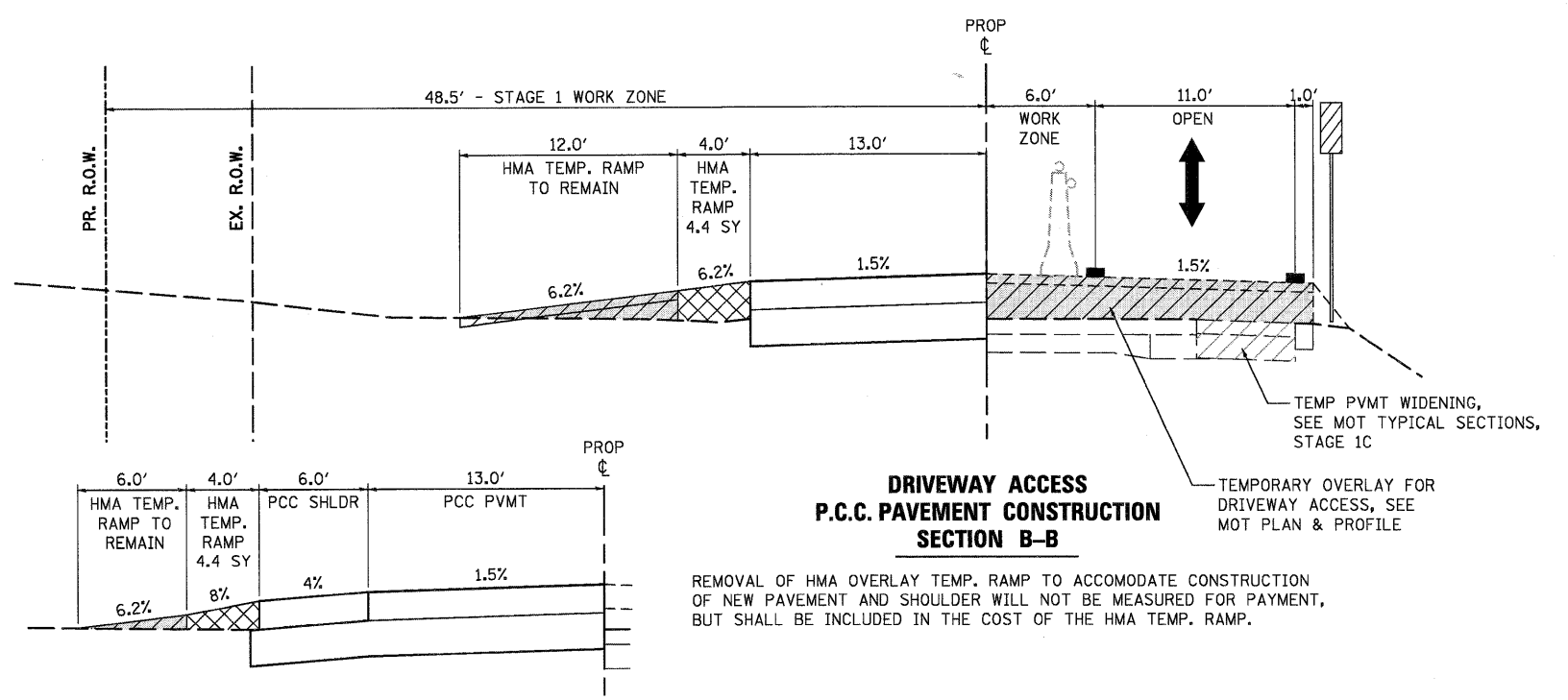
SUBSTAGE 2 - DRIVEWAY ACCESS

CONSTRUCT GAP, USING NEWLY CONSTRUCTED
 PCC PAVEMENT FOR ACCESS.



**DRIVEWAY ACCESS
 P.C.C. SHOULDER CONSTRUCTION
 SECTION A-A**

MAINTAIN RAMP FROM PAVEMENT
 CONSTRUCTION SHOWN IN SECTION B-B.



**DRIVEWAY ACCESS
 P.C.C. SHOULDER CONSTRUCTION
 SECTION B-B**

REMOVAL OF HMA OVERLAY TEMP. RAMP TO ACCOMMODATE CONSTRUCTION
 OF NEW PAVEMENT AND SHOULDER WILL NOT BE MEASURED FOR PAYMENT,
 BUT SHALL BE INCLUDED IN THE COST OF THE HMA TEMP. RAMP.

FILE NAME = F:\CBBEL_WEST_Proj\2009\09-0147_IL173\Civil\Ngn\Sh\4168229-rht-mot-tp3.dgn

WBK WILLS BURKE KELSEY ASSOCIATES LTD.
 116 West Main Street, Suite 201
 St. Charles, Illinois 60174
 (830) 443-7755

| | | |
|----------------------|-----------------|-----------|
| USER NAME = #USER# | DESIGNED - SBP | REVISED - |
| PLOT SCALE = | DRAWN - NDP | REVISED - |
| PLOT DATE = 1/6/2011 | CHECKED - PJF | REVISED - |
| | DATE - 12/14/10 | REVISED - |

**STATE OF ILLINOIS
 DEPARTMENT OF TRANSPORTATION**

| | |
|--|---|
| MAINTENANCE OF TRAFFIC STAGE 1 & 2 DRIVEWAY ACCESS | |
| SCALE: | SHEET NO. 22 OF 106 SHEETS STA. TO STA. |

| | | | | |
|---|---------|---------|--------------|-----------|
| F.A. RTE. | SECTION | COUNTY | TOTAL SHEETS | SHEET NO. |
| 303 | 132 B-2 | McHENRY | 106 | 22 |
| CONTRACT NO. 60I29 | | | | |
| FED. ROAD DIST. NO. ILLINOIS FED. AID PROJECT | | | | |