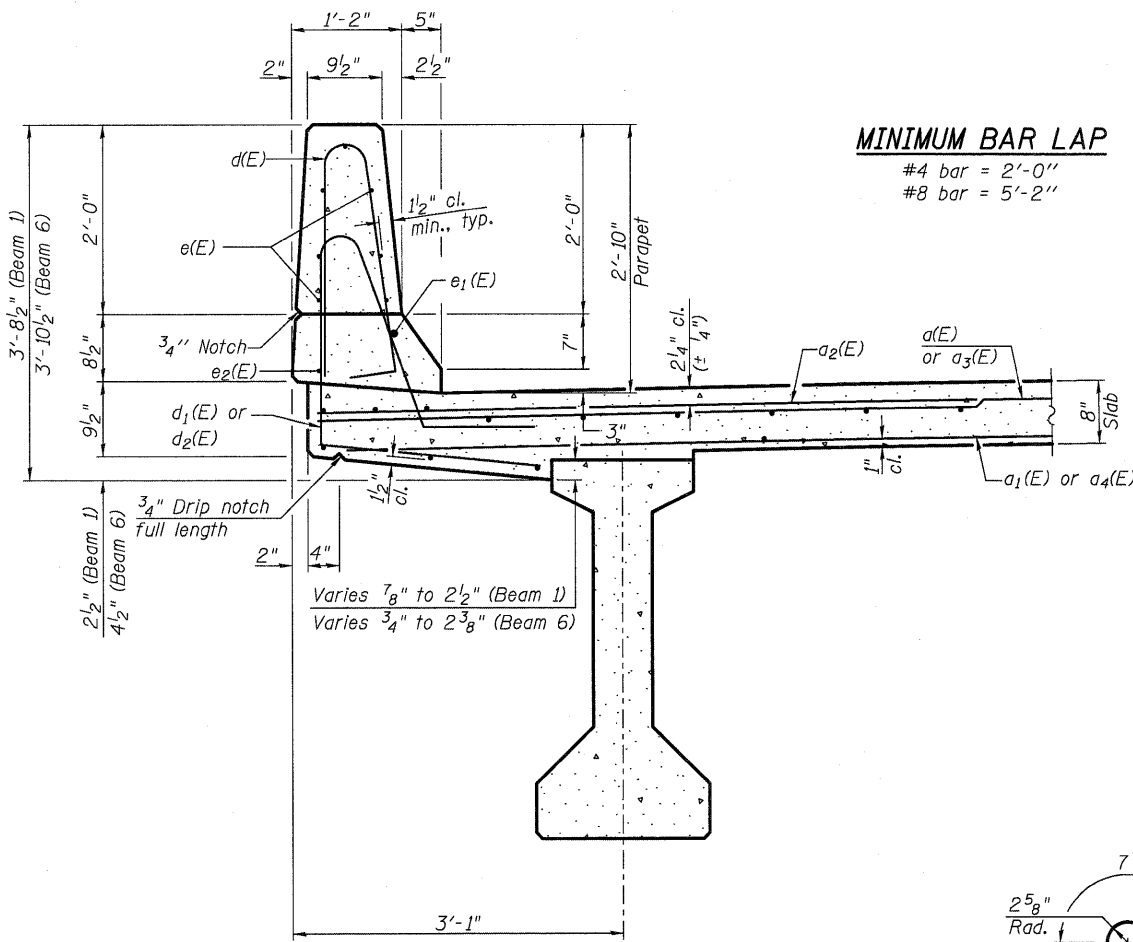


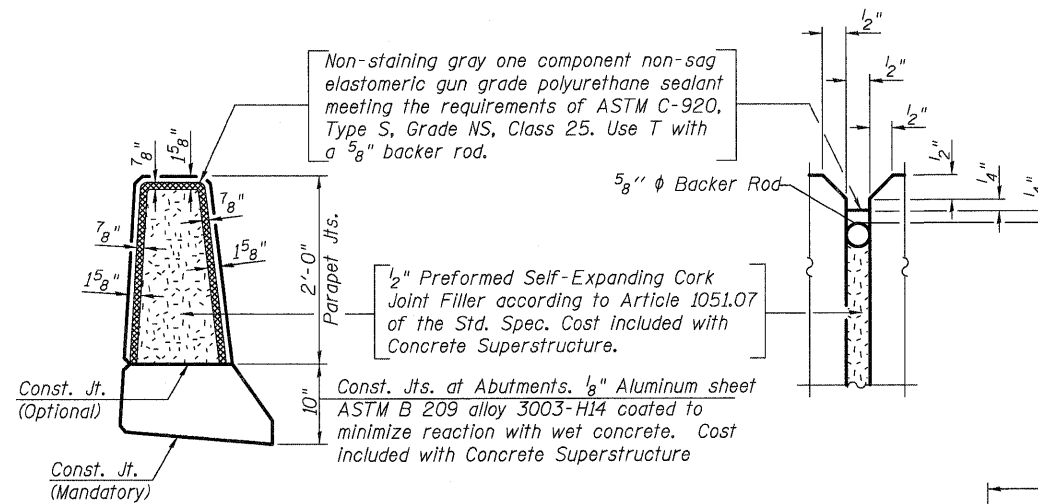
INSIDE ELEVATION OF PARAPET



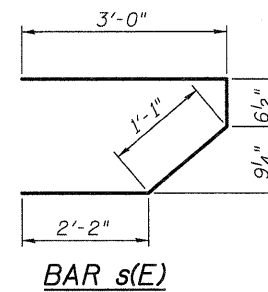
SECTION THRU PARAPET

MINIMUM BAR LAP

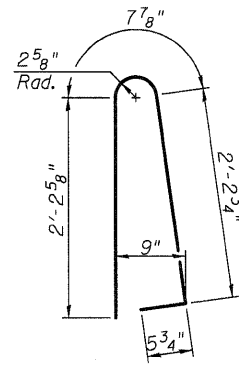
#4 bar = 2'-0"
#8 bar = 5'-2"



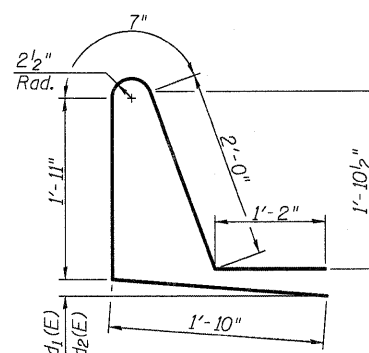
PARAPET JOINT DETAILS



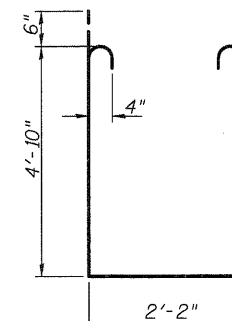
BAR s(E)



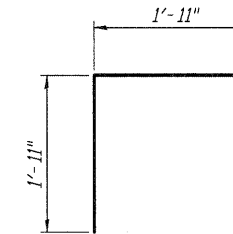
BAR d(E)



BARS d1(E) & d2(E)



BAR s1(E)



BAR v(E)

SUPERSTRUCTURE BILL OF MATERIAL

Bar	No.	Size	Length	Shape
d(E)	176	#5	18'-1"	—
a1(E)	106	#5	17'-6"	—
a2(E)	350	#6	6'-6"	—
a3(E)	176	#5	22'-1"	—
a4(E)	106	#5	21'-6"	—
b(E)	138	#5	30'-11"	—
b1(E)	144	#5	23'-10"	—
d(E)	194	#5	5'-7"	┘
d1(E)	97	#5	7'-6"	┘
d2(E)	97	#5	7'-6"	┘
e(E)	70	#4	17'-3"	—
e1(E)	10	#8	21'-8"	—
e2(E)	8	#4	23'-5"	—
m(E)	10	#6	18'-4"	—
m1(E)	12	#6	10'-4"	—
m2(E)	10	#6	4'-11"	—
m3(E)	4	#6	1'-11"	—
m4(E)	10	#6	22'-4"	—
m5(E)	2	#6	4'-4"	—
m6(E)	8	#6	8'-1"	—
m7(E)	4	#6	6'-6"	—
s(E)	72	#5	6'-10"	┘
s1(E)	72	#4	12'-10"	┘
v(E)	84	#5	3'-10"	┘
Reinforcement Bars, Epoxy Coated			Pound	29,790
Concrete Superstructure			Cu. Yd.	148.9

Bars indicated thus 1 x 5 - #8 etc. indicates 1 line of bars with 5 lengths per line.

FILE NAME = PACBBEL WEST Projects 2009\05-0147 IL173\Structural\Drawings\0560091-60129-010-Super-Detail.dgn

WILLS BURKE KELSEY ASSOCIATES LTD.
116 West Main Street, Suite 201
St. Charles, Illinois 60174
(630) 443-7756

USER NAME =	DESIGNED - MLH	REVISED -
FILE NAME =	CHECKED - AEU	REVISED -
PLOT SCALE =	DRAWN - MLH	REVISED -
PLOT DATE =	CHECKED - AEU	REVISED -

**STATE OF ILLINOIS
DEPARTMENT OF TRANSPORTATION**

**SUPERSTRUCTURE DETAILS
STRUCTURE NO. 056-0091**
SHEET NO. 10 OF 22 SHEETS

F.A.P. RTE. 303	SECTION 132B-2	COUNTY McHENRY	TOTAL SHEETS 106	SHEET NO. 55
			CONTRACT NO. 60129	
ILLINOIS FED. AID PROJECT				