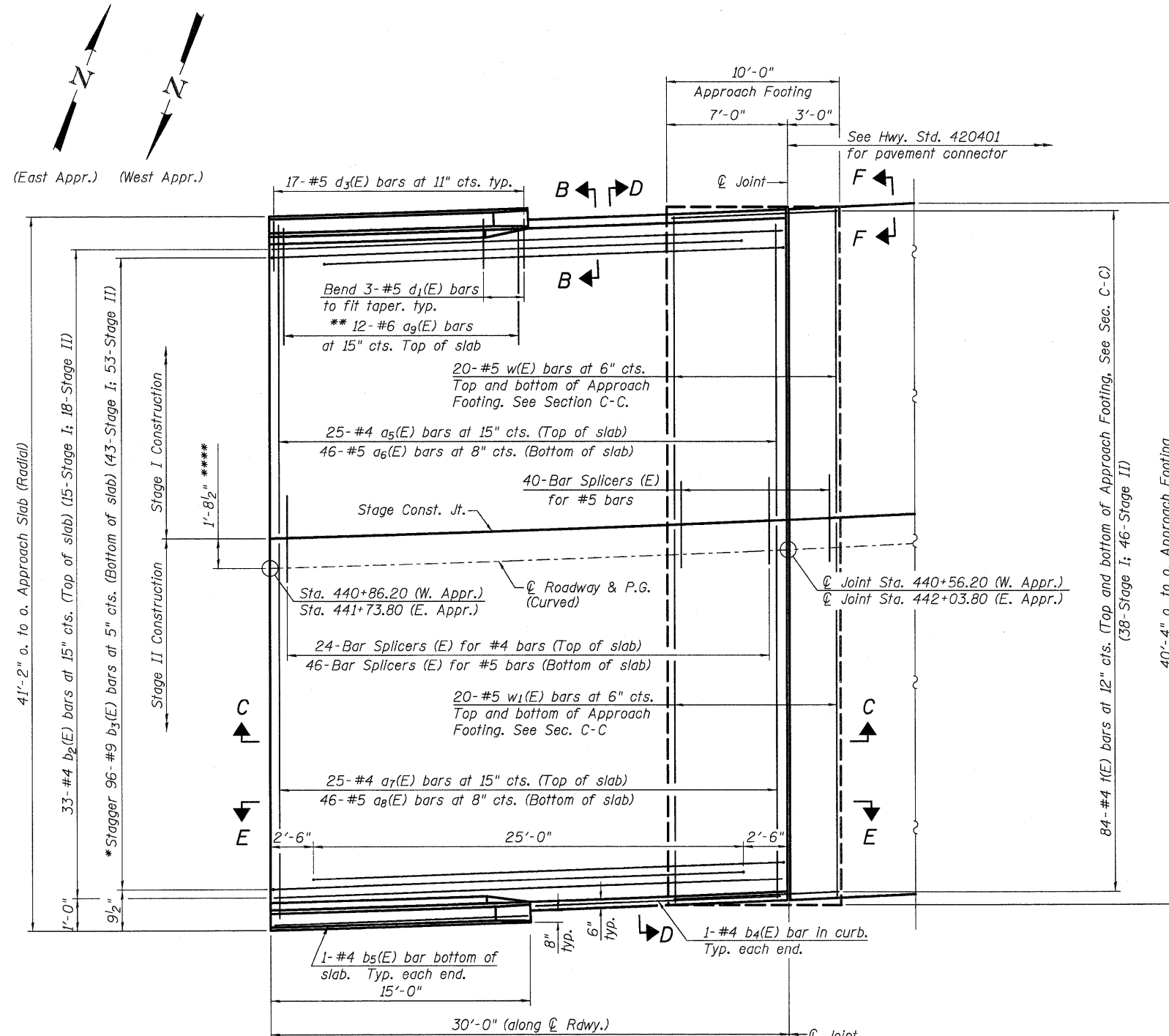


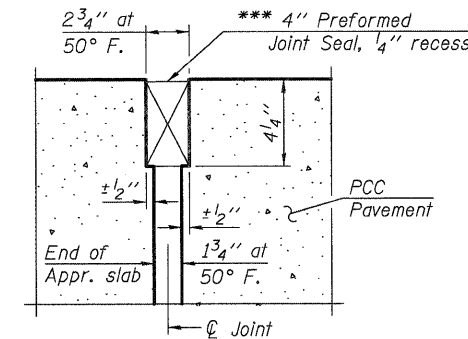
Notes:
See sheet 12 of 22 for Sections C-C & D-D and View E-E.
a₅(E) thru a₉(E) bar spacings measured along ϕ Rdwy.



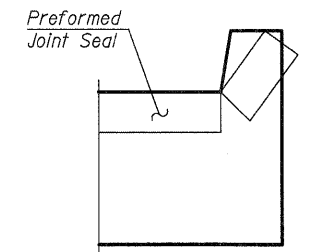
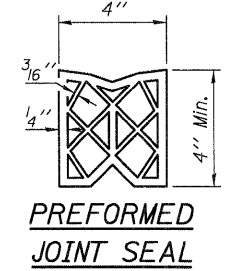
PLAN

* Tilt #9 b₃(E) bars as required to maintain clearance.
** Space between a(E) bars, typ. ea. parapet.
**** Stage Construction Line maintains a 1'-8 1/2" radial offset from the centerline

*** Cost included with Concrete Superstructure.

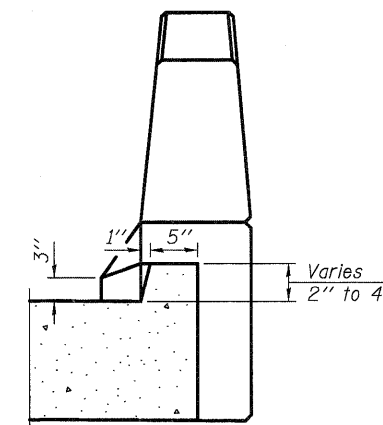


DETAIL A



VIEW F-F

Angle Preformed Joint Seal at 45° at curbs when req'd for drainage.



VIEW B-B

(Sheet 1 of 2)

FILE NAME = P:\CBBEL_MEST_Proj\pcts\2009\09\03-0147_IL173\Structural\0568091-60129-01-AppSlab01.dgn

WBK WILLS BURKE KELSEY ASSOCIATES LTD.
118 West Main Street, Suite 201
St. Charles, Illinois 60174
(630) 443-7755

USER NAME =	DESIGNED - MLH	REVISED -
FILE NAME =	CHECKED - AEU	REVISED -
PLOT SCALE =	DRAWN - MLH	REVISED -
PLOT DATE =	CHECKED - AEU	REVISED -

STATE OF ILLINOIS
DEPARTMENT OF TRANSPORTATION

BRIDGE APPROACH SLAB DETAILS
STRUCTURE NO. 056-0091

SHEET NO. 11 OF 22 SHEETS

F.A.P. RTE.	SECTION	COUNTY	TOTAL SHEETS	SHEET NO.
303	132B-2	McHENRY	106	56
			CONTRACT NO. 60129	
ILLINOIS FED. AID PROJECT				