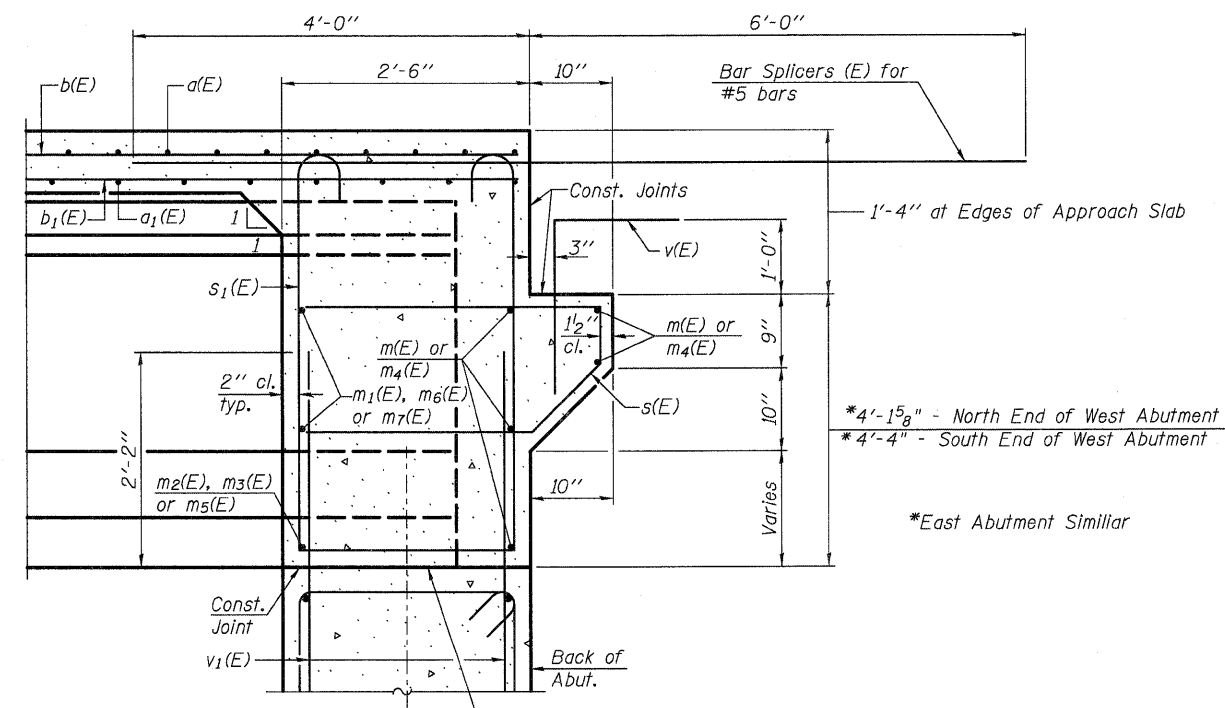


DIAPHRAGM ELEVATION AT ABUTMENT

MIN. BAR LAP
#6 bar = 3'-4"



SECTION A-A

Dimensions at right angles to abutment, except as shown.

Notes:
Reinforcement bars in diaphragm are billed with superstructure on sheet 10 of 22.
Concrete in diaphragm is included with Concrete Superstructure on sheet 10 of 22.
For details of bars s(E) and s₁(E) see sheet 10 of 22.
The s(E) and s₁(E) bars shall be placed parallel to the beams.
Spacing for these bars shall be at right angles to the beams.

Beam ends shall be set on an initial 1/2" min. grout (2:1 sand and portland cement, very dry mix) to provide full bearing. Any excess grout squeezed out from under the beam shall be removed. Cost included with Concrete Structures.

FILE NAME = P:\CBBEL\WEST Projects\2009\09-0147_IL173\Structure\1\0.dgn V0566091-60129-013-Diaphragm.dwg



USER NAME =	DESIGNED - AEU	REVISED -
FILE NAME =	CHECKED - MLH	REVISED -
PLOT SCALE =	DRAWN - AEU	REVISED -
PLOT DATE =	CHECKED - MLH	REVISED -

STATE OF ILLINOIS
DEPARTMENT OF TRANSPORTATION

DIAPHRAGM DETAILS
STRUCTURE NO. 056-0091

SHEET NO. 13 OF 22 SHEETS

F.A.P. RTE.	SECTION	COUNTY	TOTAL SHEETS	SHEET NO.
303	132B-2	McHENRY	106	58
CONTRACT NO. 60I29				
ILLINOIS FED. AID PROJECT				