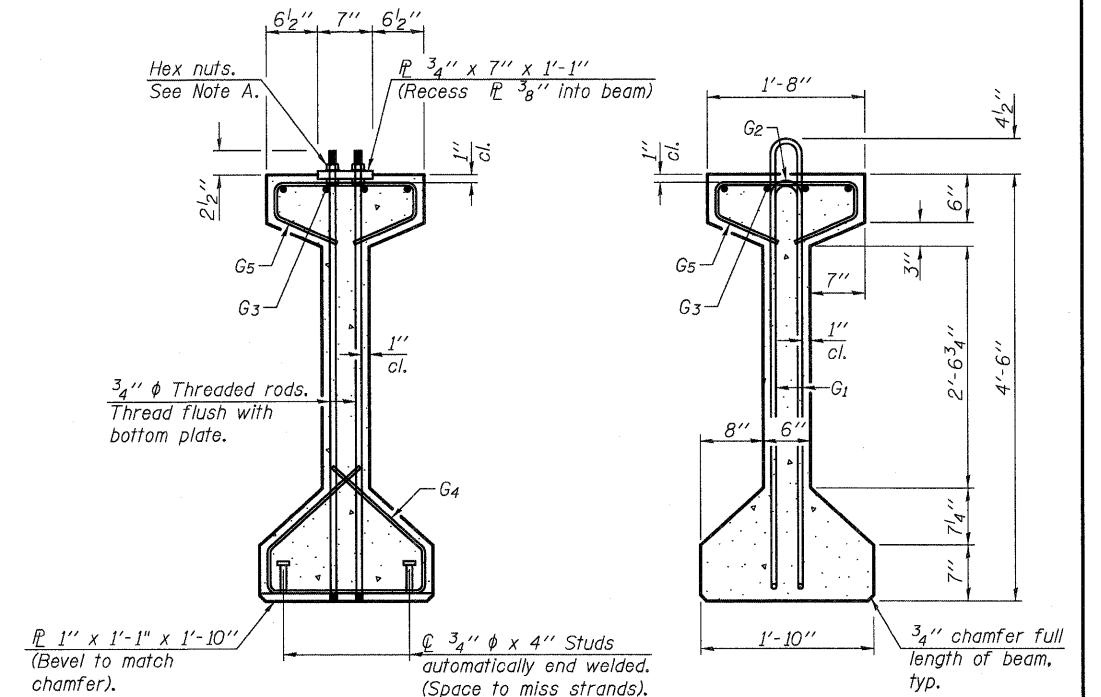


ELEVATION OF BEAM
(Showing reinforcement & dimensions)

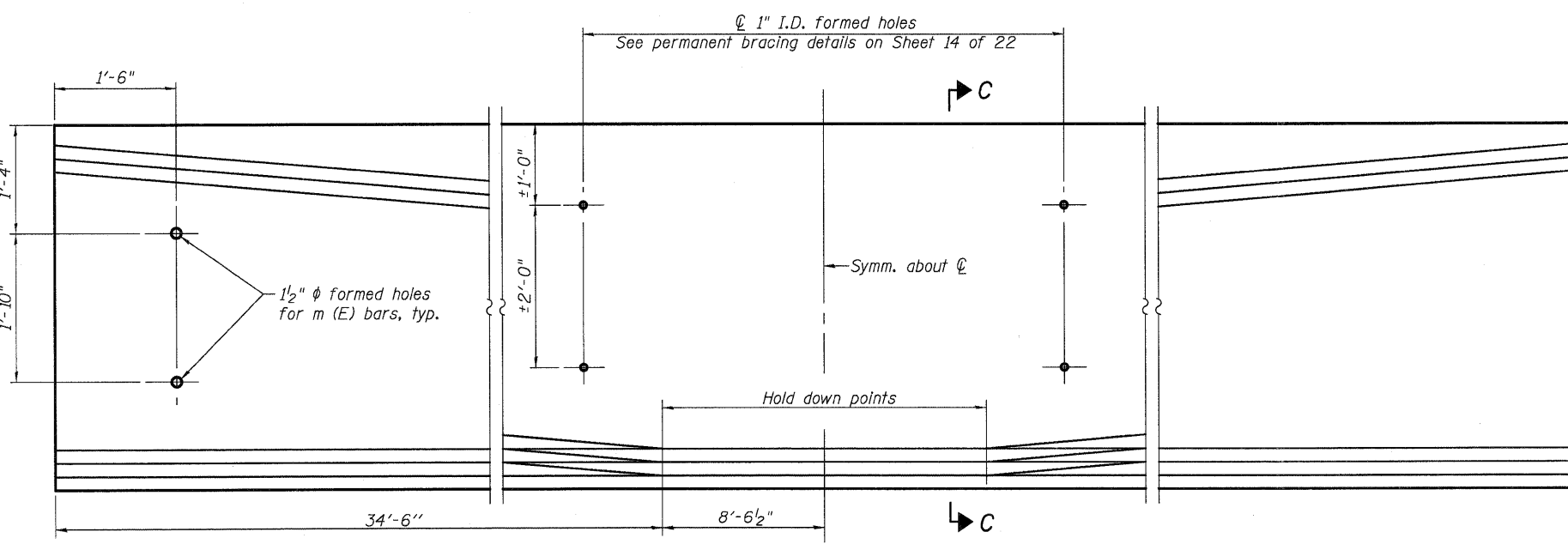
* 3 spaces at 3" = 9".
** 4-3/4" φ threaded dowel rods at 3" cts., Each Face.



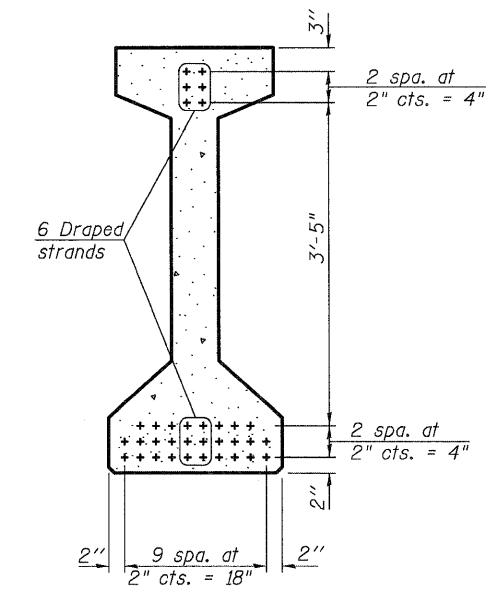
SECTION A-A

SECTION B-B

Note A:
Hex nuts (top and bottom) with lock washers (top). Only tighten sufficiently to compress lock washers.



ELEVATION OF BEAM
(Showing prestressing steel)



SECTION C-C

*****BAR LIST
ONE BEAM ONLY**

Bar	No.	Size	Length	Shape
G ₁	135	#4	10'-5"	∩L
G ₂	14	#4	8'-8"	∩
G ₃	12	#7	30'-11"	—
G ₄	38	#3	4'-11"	∩
G ₅	86	#3	3'-5"	∩

***For information only
Notes:
See sheet 16 of 22 for additional details and Bill of Material.
Required release strength, f'ci, shall be 5,000 psi.

FILE NAME = P:\CBBEL\WEST Projects\2009\05-0147_IL173\Structural\Drawings\0568091-60129-015-54\PPC-I-beam.dgn

WILLS BURKE KELSEY ASSOCIATES LTD.
116 West Main Street, Suite 201
St. Charles, Illinois 60174
(630) 443-7750

USER NAME =	DESIGNED - DLS	REVISED -
FILE NAME =	CHECKED - AEU	REVISED -
PLOT SCALE =	DRAWN - DLS	REVISED -
PLOT DATE =	CHECKED - AEU	REVISED -

**STATE OF ILLINOIS
DEPARTMENT OF TRANSPORTATION**

**54" PPC I-BEAM
STRUCTURE NO. 056-0091**

SHEET NO. 15 OF 22 SHEETS

F.A.P. RTE.	SECTION	COUNTY	TOTAL SHEETS	SHEET NO.
303	132B-2	McHENRY	106	60
			CONTRACT NO. 60129	
ILLINOIS FED. AID PROJECT				