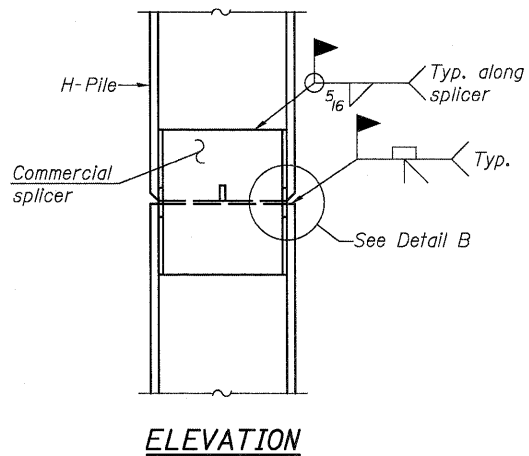
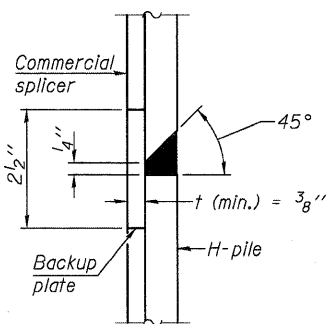


STEEL PILE TABLE

Designation	Depth d	Flange width b _f	Web and Flange thickness t	Encasement diameter A
HP 14x117	14 1/4"	14 7/8"	1 3/16"	30"
x102	14"	14 3/4"	1 1/16"	30"
x89	13 7/8"	14 3/4"	5/8"	30"
x73	13 5/8"	14 5/8"	1/2"	30"
HP 12x84	12 1/4"	12 1/4"	1 1/16"	24"
x74	12 1/8"	12 1/4"	5/8"	24"
x63	12"	12 1/8"	1/2"	24"
x53	11 3/4"	12"	7/16"	24"
HP 10x57	10"	10 1/4"	9/16"	24"
x42	9 3/4"	10 1/8"	7/16"	24"
HP 8x36	8"	8 1/8"	7/16"	18"

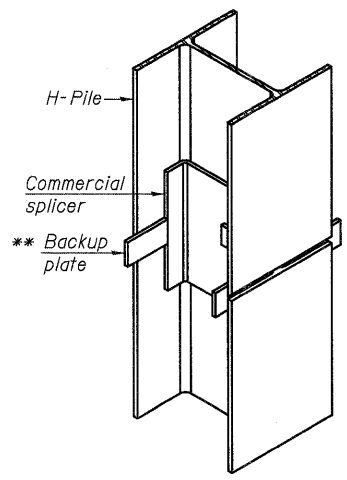


ELEVATION

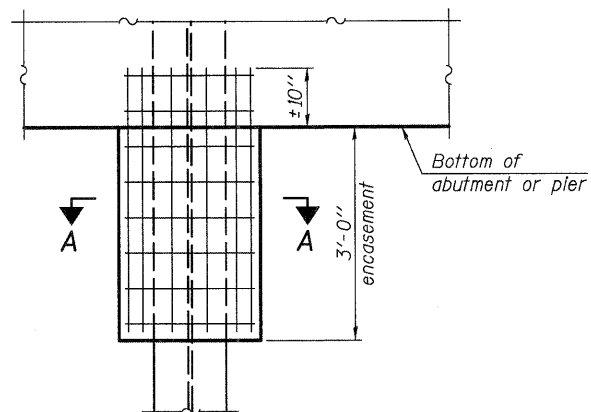


DETAIL "B"

WELDED COMMERCIAL SPLICE

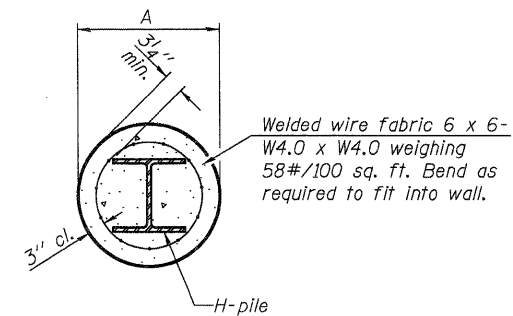


ISOMETRIC VIEW



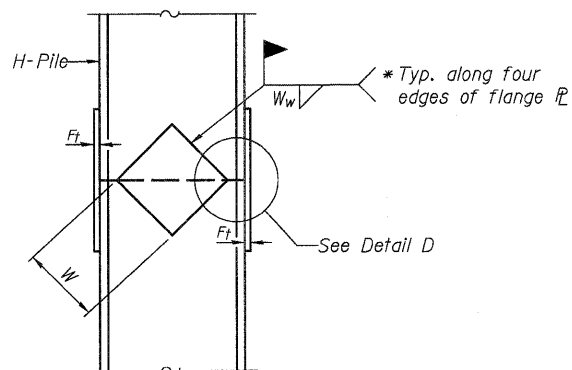
ELEVATION

PILE ENCASEMENT



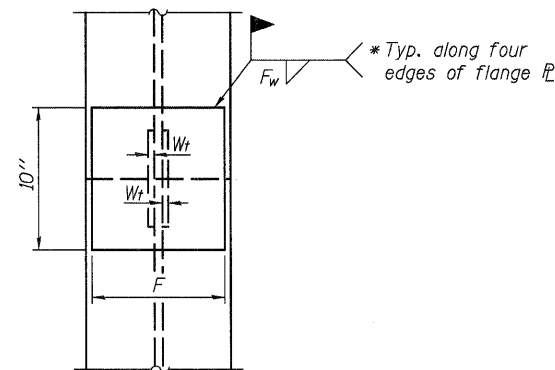
SECTION A-A

Note: Forms for encasement may be omitted when soil conditions permit.



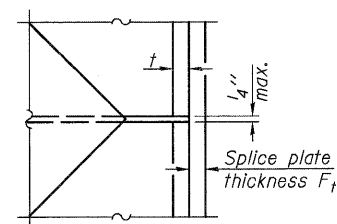
ELEVATION

WELDED PLATE FIELD SPLICE

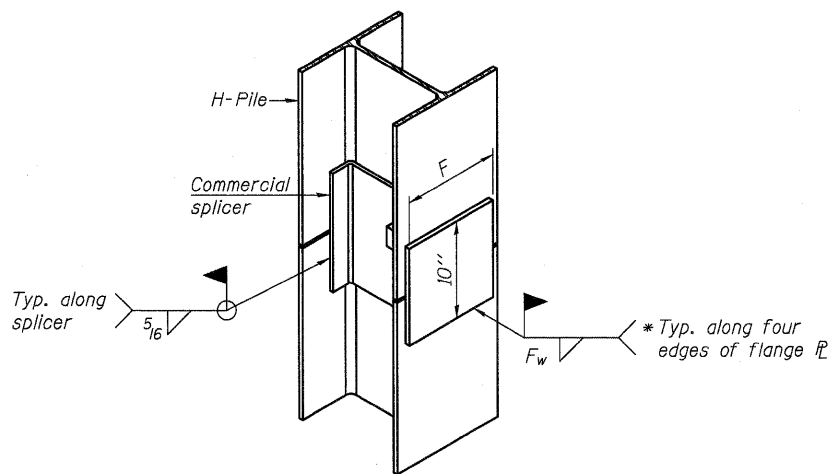


END VIEW

Designation	F	F _t	F _w	W	W _t	W _w
HP 14x117	12 1/2"	1"	7/8"	7 3/4"	5 8"	1/2"
x102	12 1/2"	7/8"	3/4"	7 3/4"	5 8"	1/2"
x89	12 1/2"	3/4"	1/2"	7 3/4"	5 8"	1/2"
x73	12 1/2"	5/8"	9/16"	7 3/4"	5 8"	1/2"
HP 12x84	10"	7/8"	1/2"	6 1/2"	5 8"	1/2"
x74	10"	7/8"	1/2"	6 1/2"	5 8"	1/2"
x63	10"	5/8"	1/2"	6 1/2"	1/2"	3/8"
x53	10"	5/8"	1/2"	6 1/2"	1/2"	3/8"
HP 10x57	8"	3/4"	9/16"	5 1/4"	1/2"	3/8"
x42	8"	5/8"	9/16"	5 1/4"	1/2"	3/8"
HP 8x36	7"	5/8"	7/16"	4 1/4"	1/2"	3/8"



DETAIL D

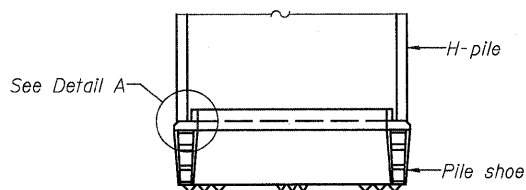


ISOMETRIC VIEW

WELDED COMMERCIAL SPLICE ALTERNATE

- * Interrupt welds 1/4" from end of web and/or each flange.
- ** Remove portions of backup plates that extend outside the flanges.
- *** Weld size per pile shoe manufacturer (5/16" min.).

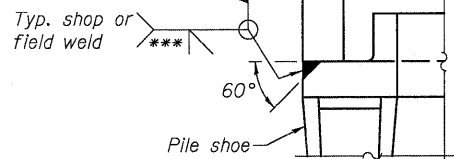
Note: The steel H-piles shall be according to AASHTO M270 Grade 50.



ELEVATION

DETAIL A

H-PILE SHOE ATTACHMENT



F-HP 7-1-10

WILLIS BURKE KELSEY ASSOCIATES LTD.
116 West Main Street, Suite 201
St. Charles, Illinois 60174
(630) 443-7755

USER NAME =	DESIGNED - MLH	REVISED -
FILE NAME =	CHECKED - AEU	REVISED -
PLOT SCALE =	DRAWN - MLH	REVISED -
PLOT DATE =	CHECKED - AEU	REVISED -

**STATE OF ILLINOIS
DEPARTMENT OF TRANSPORTATION**

**HP PILE DETAILS
STRUCTURE NO. 056-0091**

SHEET NO. 19 OF 22 SHEETS

F.A.P. RTE.	SECTION	COUNTY	TOTAL SHEETS	SHEET NO.
303	132B-2	McHENRY	106	64
CONTRACT NO. 60I29			ILLINOIS FED. AID PROJECT	