

STANDARD BAR SPLICER ASSEMBLY

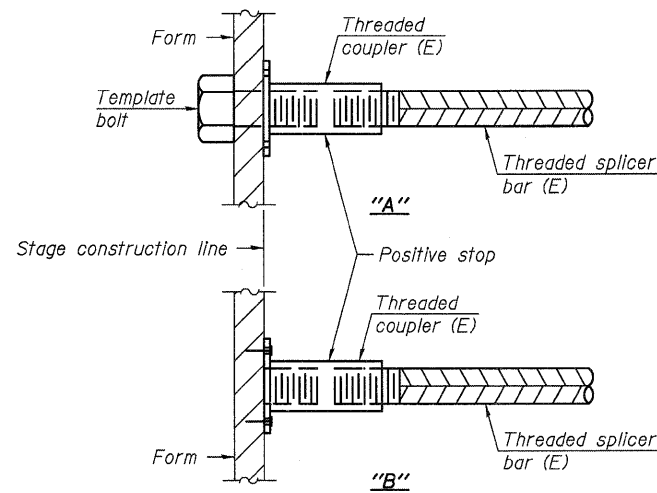
Minimum Lap Lengths					
Bar size to be spliced	Table 1	Table 2	Table 3	Table 4	Table 5
3, 4	1'-5"	1'-11"	2'-1"	2'-4"	2'-3"
5	1'-9"	2'-5"	2'-7"	2'-11"	2'-10"
6	2'-1"	2'-11"	3'-1"	3'-6"	3'-4"
7	2'-9"	3'-10"	4'-2"	4'-8"	4'-6"
8	3'-8"	5'-1"	5'-5"	6'-2"	5'-10"
9	4'-7"	6'-5"	6'-10"	7'-9"	7'-5"

- Table 1: Black bar, 0.8 Class C
- Table 2: Black bar, Top bar lap, 0.8 Class C
- Table 3: Epoxy bar, 0.8 Class C
- Table 4: Epoxy bar, Top bar lap, 0.8 Class C
- Table 5: Epoxy bar, Top bar lap, Class B

Threaded splicer bar length = min. lap length + 1/2" + thread length

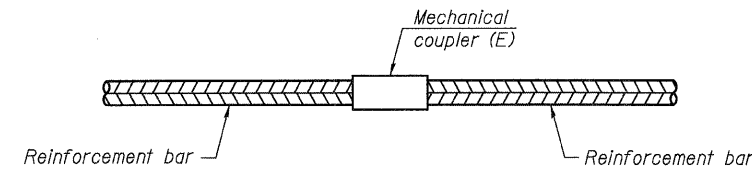
* Epoxy not required on Bar Splicer Assembly components used in conjunction with black bars.

Location	Bar size	No. assemblies required	Table for minimum lap length
Abutments	#5	20	Table 3
Abutments	#7	8	Table 3
Abutments	#7	8	Table 4
Deck	#5	282	Table 3
Diaphragms	#6	10	Table 5
Approach Slabs	#4	50	Table 4
Approach Slabs	#5	92	Table 3
Approach Footings	#5	80	Table 3



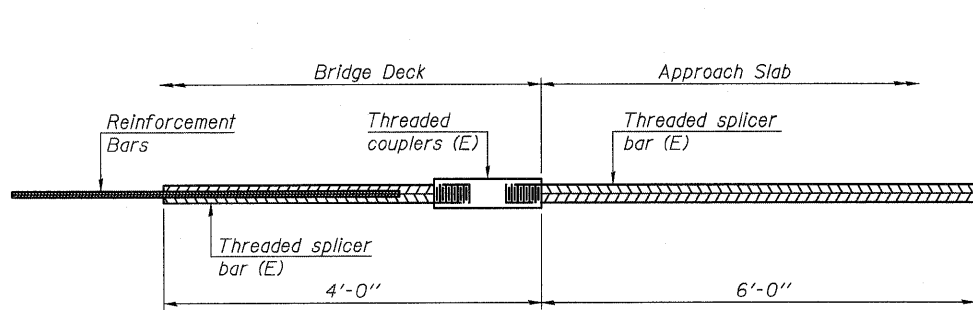
INSTALLATION AND SETTING METHODS

"A" : Set bar splicer assembly by means of a template bolt.
 "B" : Set bar splicer assembly by nailing to wood forms or cementing to steel forms.
 (E) : Indicates epoxy coating.



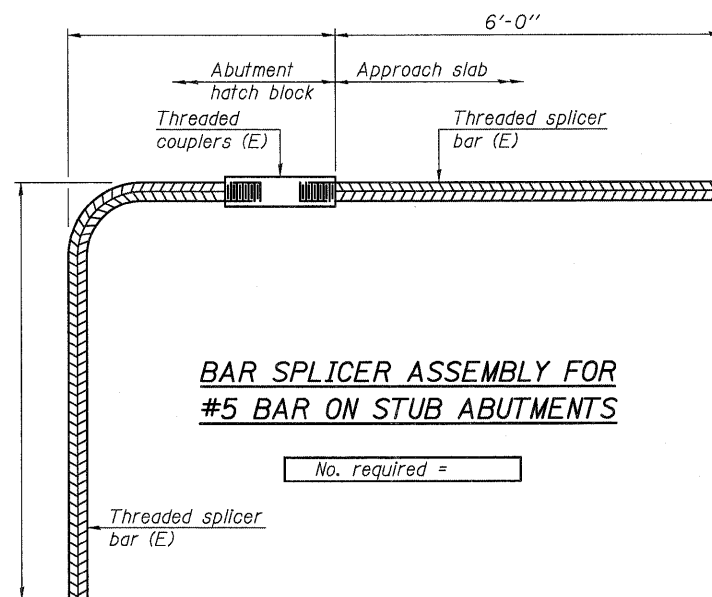
STANDARD MECHANICAL SPLICER

Location	Bar size	No. assemblies required



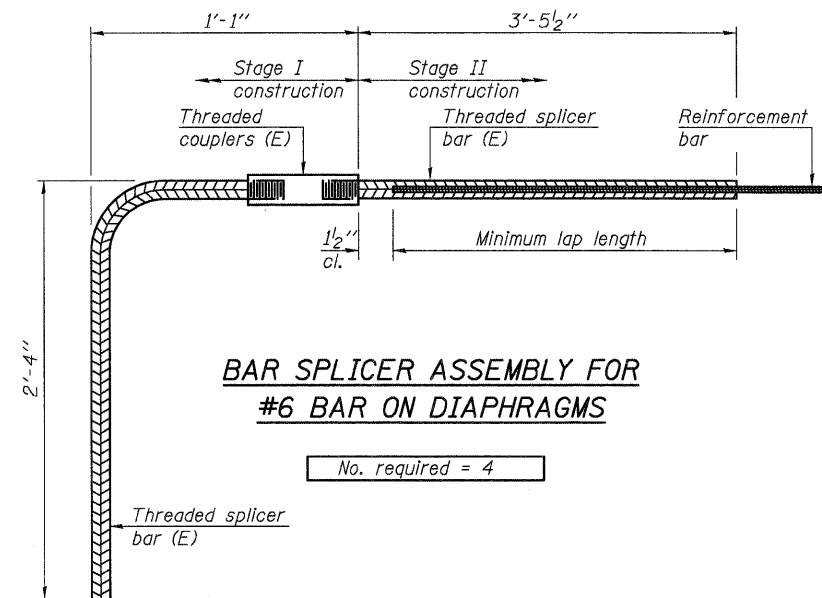
BAR SPLICER ASSEMBLY FOR #5 BAR ON INTEGRAL OR SEMI-INTEGRAL ABUTMENTS

No. required = 92



BAR SPLICER ASSEMBLY FOR #5 BAR ON STUB ABUTMENTS

No. required =



BAR SPLICER ASSEMBLY FOR #6 BAR ON DIAPHRAGMS

No. required = 4

NOTES

Splicer bars shall be deformed with threaded ends and have a minimum 60 ksi yield strength.
 All reinforcement shall be lapped and tied to the splicer bars.
 Bar splicer assemblies shall be epoxy coated according to the requirements for reinforcement bars. See Section 508 of the Standard Specifications.
 See special provision for Mechanical Splicers.
 See approved list of bar splicer assemblies and mechanical splicers for alternatives.

FILE NAME = F:\CBBEL WEST Projects\2009\09-0147_IL1173\Structural\Drawings\0560091-60129-020-Bar-Splicer-Detailed.dgn

WILLS BURKE KELSEY ASSOCIATES LTD.
 116 West Main Street, Suite 201
 St. Charles, Illinois 60174
 (630) 443-7755

USER NAME =	DESIGNED - MLH	REVISED -
FILE NAME =	CHECKED - AEU	REVISED -
PLOT SCALE =	DRAWN - MLH	REVISED -
PLOT DATE =	CHECKED - AEU	REVISED -

**STATE OF ILLINOIS
 DEPARTMENT OF TRANSPORTATION**

**BAR SPLICER ASSEMBLY AND MECHANICAL SPLICER DETAILS
 STRUCTURE NO. 056-0091**

SHEET NO. 20 OF 22 SHEETS

F.A.P. RTE. 303	SECTION 132B-2	COUNTY McHENRY	TOTAL SHEETS 106	SHEET NO. 65
				CONTRACT NO. 60I29
ILLINOIS FED. AID PROJECT				