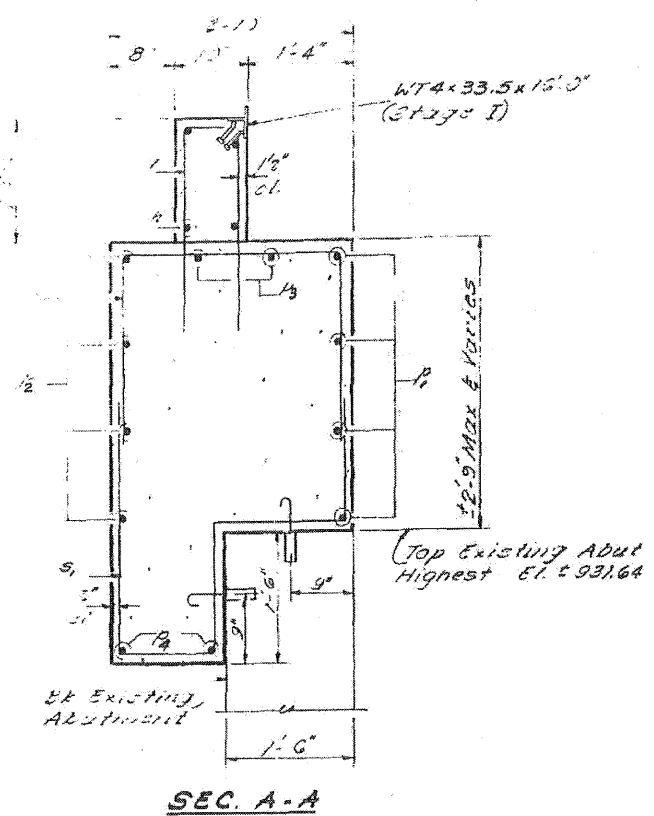
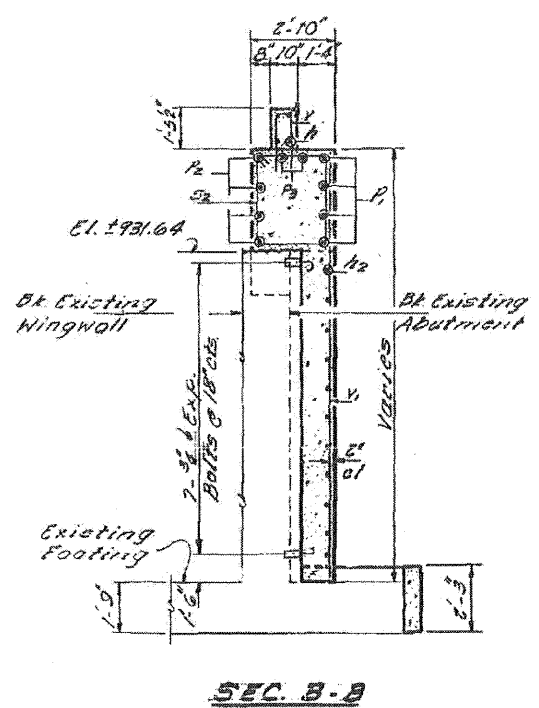


STATE OF ILLINOIS
DEPARTMENT OF TRANSPORTATION

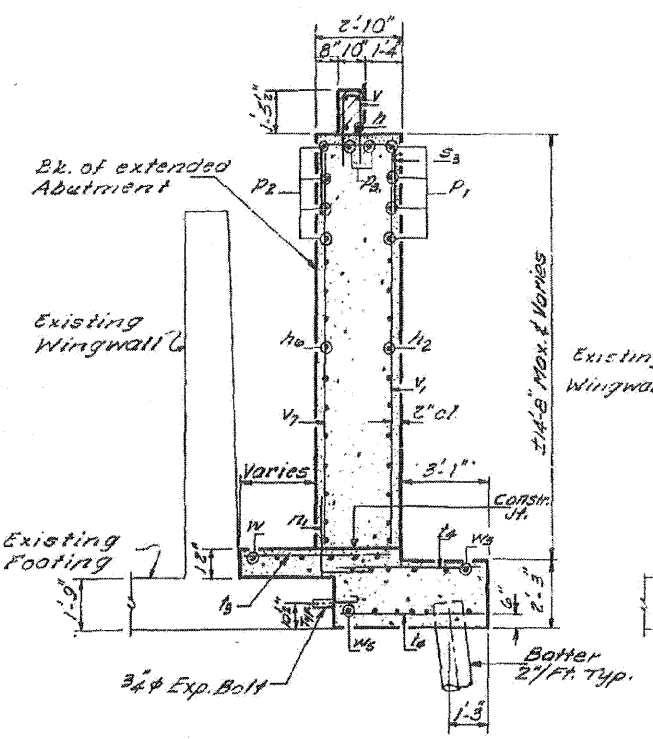
ROUTE NO.	SECTION	COUNTY	TOTAL SHEETS	SHEET NO.
303	132 B-2	McHENRY	106	74
CONTRACT NO. 60129				



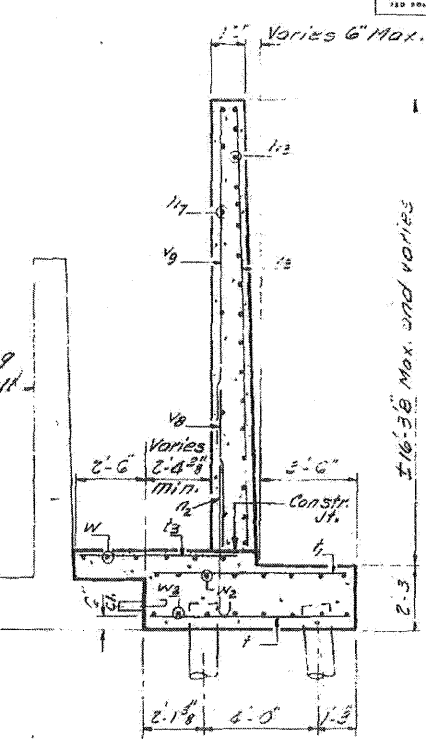
SEC. A-A



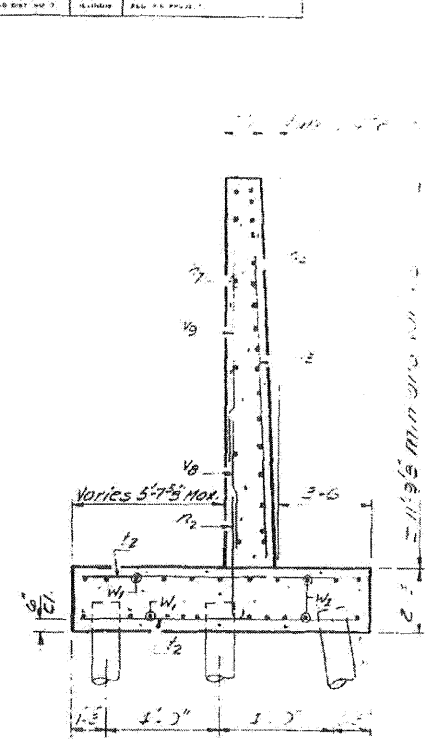
SEC. B-B



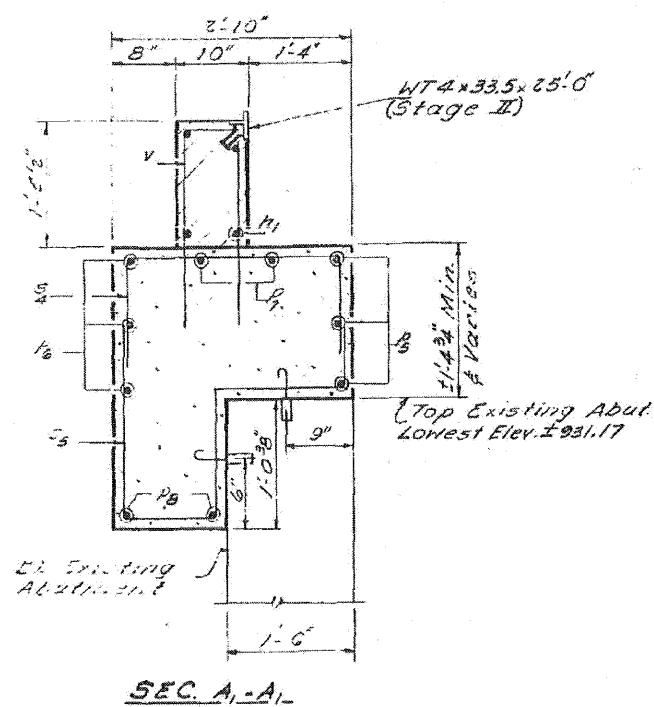
SEC. C-C



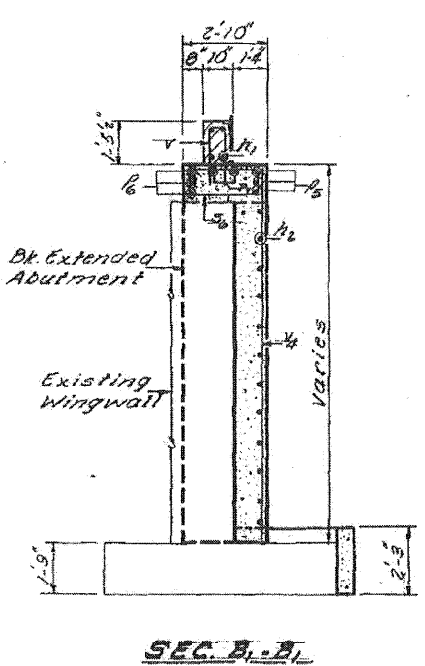
SEC. D-D



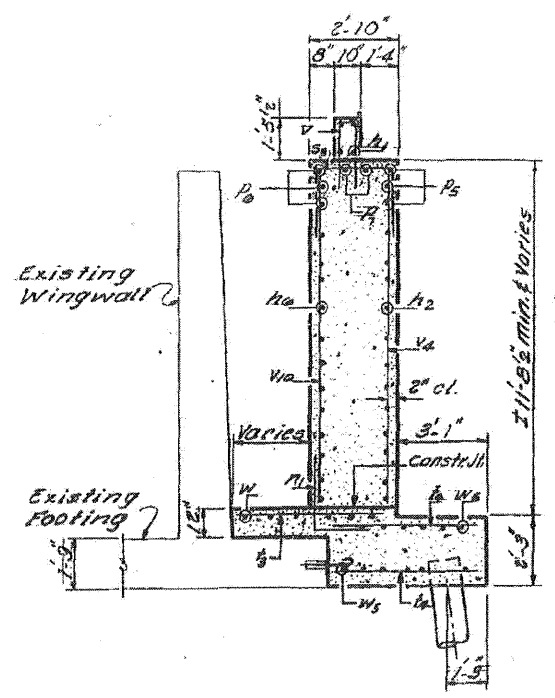
SEC. E-E



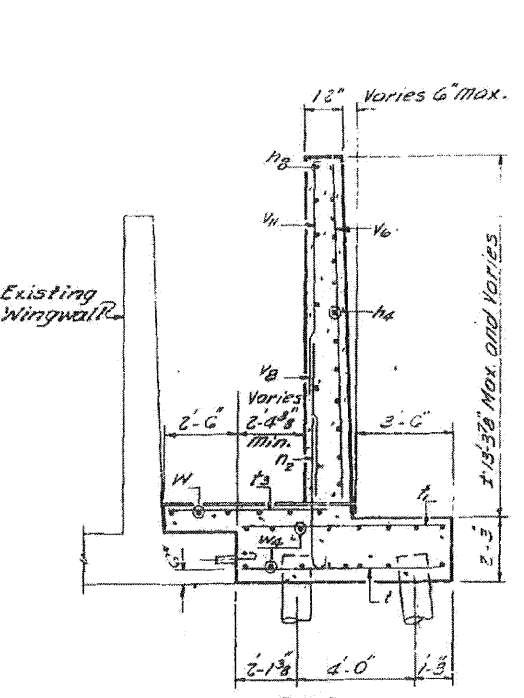
SEC. A1-A1



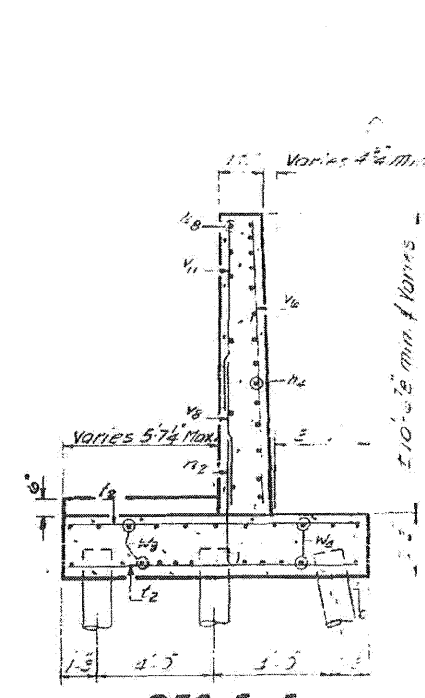
SEC. B1-B1



SEC. C1-C1



SEC. D1-D1



SEC. E1-E1

ABUTMENT DETAILS
EAST ABUTMENT
S&T AT 178 SEC. 182 W&S-1
McHENRY COUNTY
STATION 24+40.30

EXISTING STRUCTURE PLANS - FOR REFERENCE ONLY

DESIGNED	SEP 13 2013
CHECKED	
DRAWN	
CHECKED	
EXAMINED	
PASSED	
APPROVED	

FILE NAME = P:\CIBEL WEST Projects\2009\09-0147_IL173\Gv1\0gn\Shr\AD168129-shr-ol-plan-07.dgn

WBK WILLS BURKE KELSEY ASSOCIATES LTD.
116 West Main Street, Suite 201
St. Charles, Illinois 60174
(630) 443-7750

USER NAME = #USER#	DESIGNED -	REVISED -
PLOT SCALE =	DRAWN -	REVISED -
PLOT DATE = 1/5/2011	CHECKED -	REVISED -
	DATE - 12/14/10	REVISED -

STATE OF ILLINOIS
DEPARTMENT OF TRANSPORTATION

EXISTING STRUCTURE PLANS FOR REFERENCE ONLY			
SCALE:	SHEET NO. 74 OF 106 SHEETS	STA.	TO STA.

F.A.P. RTE.	SECTION	COUNTY	TOTAL SHEETS	SHEET NO.
303	132 B-2	McHENRY	106	74
CONTRACT NO. 60129				
FED. ROAD DIST. NO.		ILLINOIS FED. AID PROJECT		