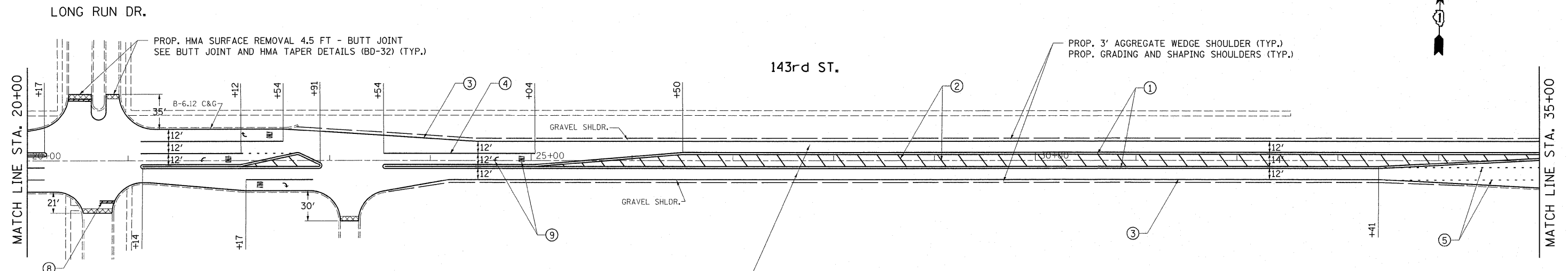


**PROJECT BEGINS
STA. 10+26**

PAVEMENT MARKING LEGEND

- ① THPL PAVT MK, 4" DOUBLE YELLOW LINE, 11" C-C (TYP.)
- ② THPL PAVT MK, 12" DIAGONAL YELLOW LINE (TYP.)
- ③ THPL PAVT MK, 4" WHITE EDGE LINE (TYP.)
- ④ THPL PAVT MK, 6" WHITE LINE (TYP.)
- ⑤ THPL PAVT MK, 6" WHITE DOTTED LINE (6' SKIP 2' DASH) (TYP.)
- ⑥ THPL PAVT MK, 4" WHITE LINE (TYP.)
- ⑦ THPL PAVT MK, 12" DIAGONAL WHITE LINE (TYP.)
- ⑧ THPL PAVT MK, 24" WHITE STOP BAR (TYP.)
- ⑨ THPL PAVT MK, LETTERS & SYMBOLS (TYP.)



NOTES

1. ALL FINAL PAVEMENT MARKINGS SHALL BE PLACED IN ACCORDANCE WITH DISTRICT ONE TYPICAL PAVEMENT MARKINGS (TC-13) DETAIL.
2. ALL FINAL RAISED REFLECTIVE PAVEMENT MARKERS SHALL BE PLACED IN ACCORDANCE WITH THE DISTRICT ONE RAISED REFLECTIVE PAVEMENT MARKERS (TC-11) DETAIL.

FILE NAME =	USER NAME = poosechal	DESIGNED -	REVISED -	STATE OF ILLINOIS DEPARTMENT OF TRANSPORTATION	143RD ST. (WILL COUNTY LINE TO IL RTE. 7 (WOLF RD.)) ROADWAY AND PAVEMENT MARKING PLAN	F.A.U. RTE. 1600	SECTION 2010-024 RS	COUNTY COOK	TOTAL SHEETS 22	SHEET NO. 5		
c:\pwork\pwork\poosechal\0255721\0152110-sht-plan.dgn	PLOT SCALE = 50.0000' / IN.	DRAWN -	REVISED -			SCALE: 1"=50'	SHEET NO. 1 OF 2 SHEETS	STA. 10+26 TO STA. 35+00	CONTRACT NO. 60K52			
	PLOT DATE = 2/4/2011	CHECKED -	REVISED -			ILLINOIS FED. AID PROJECT						
		DATE -	REVISED -									