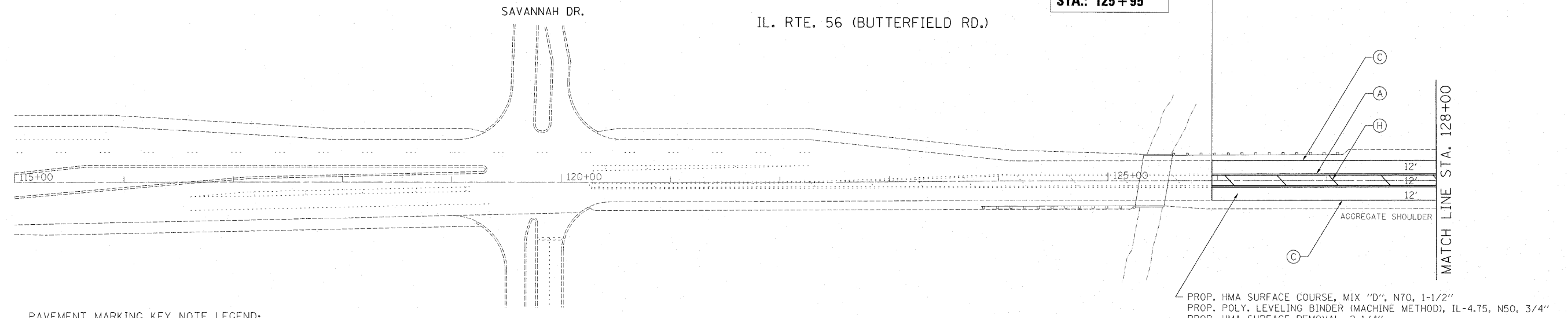


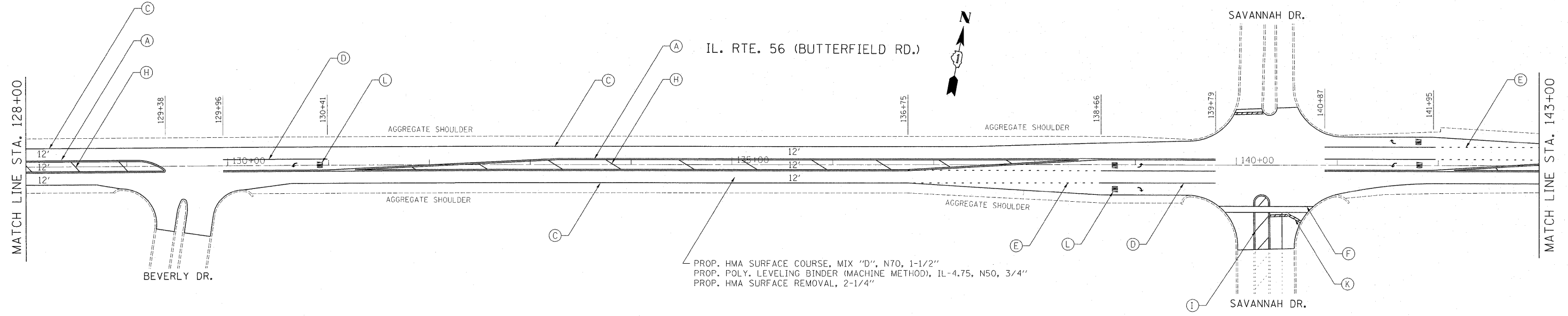


**PROJECT BEGINS
STA.: 125+95**



PAVEMENT MARKING KEY NOTE LEGEND:

- (A) PROP. THERMO. PVT. MARKING (YELLOW) - 4" SOLID CENTERLINE (2 LINES @ 11" C-C) - (TYP.)
- (B) PROP. THERMO. PVT. MARKING (YELLOW) - 4" SKIP-DASH CENTERLINE (10' LINE - 30' SPACE) - (TYP.)
- (BI) PROP. THERMO. PVT. MARKING (YELLOW) - 4" SOLID NO PASSING ZONE LINE (5-1/2" C-C FROM SKIP-DASH) - (TYP.)
- (C) PROP. THERMO. PVT. MARKING (WHITE) - 4" SOLID EDGELINE - (TYP.)
- (D) PROP. THERMO. PVT. MARKING (WHITE) - 6" SOLID TURN LANE LINE - (TYP.)
- (E) PROP. THERMO. PVT. MARKING (WHITE) - 6" SKIP-DASH TURN LANE LINE (2' LINE - 6' SPACE) - (TYP.)
- (F) PROP. THERMO. PVT. MARKING (WHITE) - 6" SOLID PEDESTRIAN CROSSWALK - (TYP.)
- (G) PROP. THERMO. PVT. MARKING (WHITE) - 8" SOLID CHANNELIZATION LINE - (TYP.)
- (H) PROP. THERMO. PVT. MARKING (YELLOW) - 12" SOLID PAINTED MEDIAN DIAGONAL LINE - RT. 45° DIAGONAL @ 75' C-C - (TYP.)
- (I) PROP. THERMO. PVT. MARKING (YELLOW) - 12" SOLID PAINTED MEDIAN DIAGONAL LINE - RT. 45° DIAGONAL @ 20' C-C - (TYP.)
- (J) PROP. THERMO. PVT. MARKING (WHITE) - 12" SOLID SHOULDER DIAGONAL LINE - RT. 45° DIAGONAL @ 20' C-C - (TYP.)
- (K) PROP. THERMO. PVT. MARKING (WHITE) - 24" SOLID STOP BAR - (TYP.)
- (L) PROP. THERMO. PVT. MARKING (WHITE) LETTERS AND SYMBOLS - (TYP.)



Rev: 3/16/2011

FILE NAME =	USER NAME = becker.tom	DESIGNED -	REVISED 3/16/2011	STATE OF ILLINOIS DEPARTMENT OF TRANSPORTATION	IL RTE. 56 (BUTTERFIELD RD.) LOCATION 2 (FARNSWORTH AVE. TO DuPAGE CO. LINE) ROADWAY AND PAVEMENT MARKING PLAN	F.A.P. RTE.	SECTION	COUNTY	TOTAL SHEETS	SHEET NO.
c:\pv_work\p\dot\becker.tom\d0244424\01506102-sht-plen.dgn	DRAWN -	REVISED -	365			60 RS-3	KANE	23	9	
PLOT SCALE = 50.0000' / IN.	CHECKED -	REVISED -	CONTRACT NO. 60K81							
PLOT DATE = 3/14/2011	DATE -	REVISED -	FED. ROAD DIST. NO. 1 ILLINOIS FED. AID PROJECT							
					SCALE:	SHEET NO.	OF	SHEETS	STA.	TO STA.