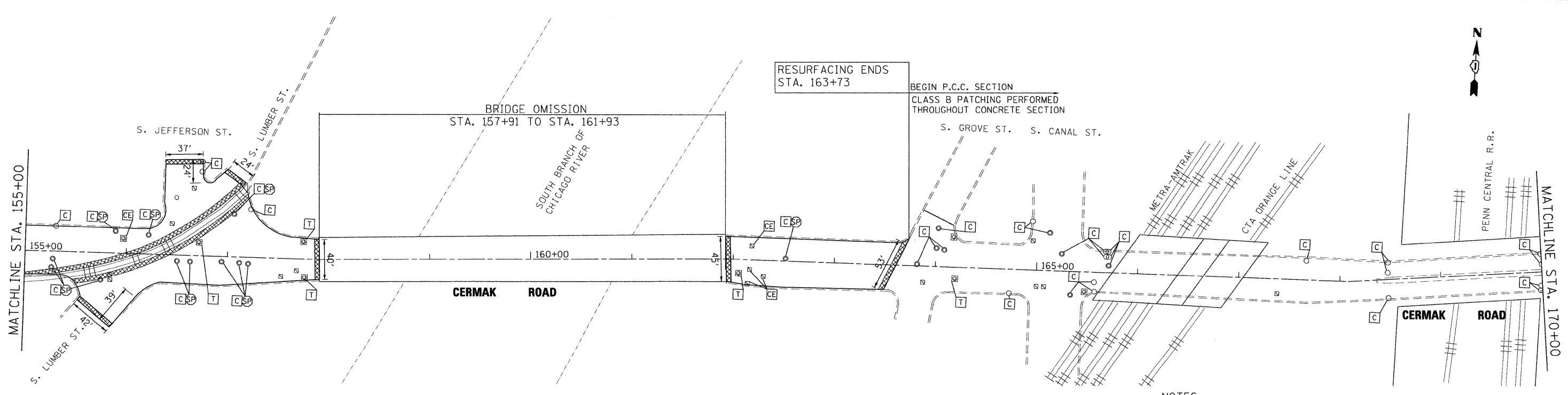


- DRAINAGE LEGEND**
- [A] FRAMES AND GRATES TO BE ADJUSTED
 - [C] STRUCTURE TO BE CLEANED
 - [CSP] FRAMES AND LIDS TO BE ADJUSTED SPECIAL
 - [REC] STRUCTURE TO BE RECONSTRUCTED
 - [T] TELEPHONE-TO BE ADJUSTED BY OTHERS
 - [CE] COM ED-TO BE ADJUSTED BY OTHERS
 - [G] GAS TO BE ADJUSTED BY OTHERS
 - [U] UTILITIES TO BE ADJUSTED BY OTHERS



- ROADWAY LEGEND**
- [Hatched Box] PROPOSED HMA SURFACE REMOVAL BUTT JOINT
SEE BUTT JOINTS AND HMA TAPER DETAILS (BD32)

- NOTES**
1. REFER TO TYPICAL SECTIONS FOR LOCATIONS AND DISTRICT ONE (BD33) (HMA TAPER AT EDGE OF PCC PAVEMENT).
 2. ALL DRAINAGE STRUCTURES LOCATED WITHIN THE RESURFACING LIMITS SHALL BE CLEANED.
 3. ALL STRUCTURES WITHIN THE RESURFACING LIMITS SHALL BE ADJUSTED ACCORDING TO THE SPECIAL PROVISIONS.

FILE NAME = P:\2009\ME09086-Var\Var_Plan\CADD\WD24-Cermak\Shs\06-0160K86-Prop-01.dgn
 PLOT SCALE = E:\2008\PLAN\Millennia Professional Services
 USER NAME = Millennium Professional Services

MILLENNIA PROFESSIONAL SERVICES

200 22ND Street, Suite 216, Lombard, IL 60148
630.795.9110 voice, 630.839.2566 fax
www.mps-il.com

DESIGNED	CML	REVISED	-
DRAWN	JGH	REVISED	-
CHECKED	TVN	REVISED	-
DATE	02/09/11	REVISED	-

**STATE OF ILLINOIS
DEPARTMENT OF TRANSPORTATION**

**CERMAK ROAD
HALSTED ST. TO MCCORMICK SQUARE**

SCALE: 1"=50' SHEET NO. OF SHEETS STA. 143+00 TO STA. 170+00

F.A.U. RTE.	SECTION	COUNTY	TOTAL SHEETS	SHEET NO.
1453	2010-033- RS	COOK	23	6
FED. ROAD DIST. NO. 1 ILLINOIS FED. AID PROJECT				CONTRACT NO. 60K86