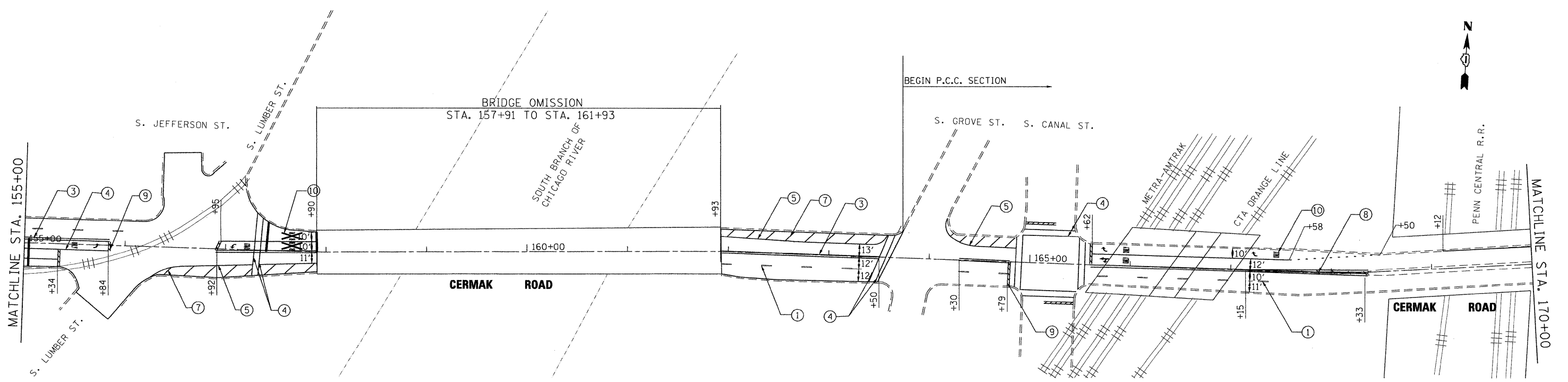



NOTES:  
 1. REFER TO CITY OF CHICAGO TYPICAL PAVEMENT MARKINGS (TC-24) FOR ADDITIONAL INFORMATION.



- PAVEMENT MARKING LEGEND (SEE NOTE 1)
- ① THERMOPLASTIC PAVEMENT MARKING 4" WHITE LINE
  - ② THERMOPLASTIC PAVEMENT MARKING 4" YELLOW LINE
  - ③ THERMOPLASTIC PAVEMENT MARKING 4" DOUBLE YELLOW LINE
  - ④ THERMOPLASTIC PAVEMENT MARKING 6" WHITE LINE
  - ⑤ THERMOPLASTIC PAVEMENT MARKING 8" WHITE LINE
  - ⑥ THERMOPLASTIC PAVEMENT MARKING 8" YELLOW LINE
  - ⑦ THERMOPLASTIC PAVEMENT MARKING 12" DIAGONAL WHITE LINE
  - ⑧ THERMOPLASTIC PAVEMENT MARKING 12" DIAGONAL YELLOW LINE
  - ⑨ THERMOPLASTIC PAVEMENT MARKING 24" WHITE STOP BAR
  - ⑩ THERMOPLASTIC PAVEMENT MARKING LETTERS AND SYMBOLS (TYP)

FILE NAME = P:\2009\ME09086-Var\Var\_Plan\CADD\W024\_Cermak\Shsta\10-D160K86-Pmk-01.dgn  
 PLOT SCALE = 50/0000  
 USER NAME = Millennium Professional Services



200 22ND Street, Suite 216, Lombard, IL 60148  
 630.765.0110 voice, 630.839.2566 fax  
 www.mps-il.com  
**MILLENNIA PROFESSIONAL SERVICES**

DESIGNED - CML	REVISED -
DRAWN - JGH	REVISED -
CHECKED - TVN	REVISED -
DATE - 02/09/11	REVISED -

**STATE OF ILLINOIS**  
**DEPARTMENT OF TRANSPORTATION**

<b>CERMAK ROAD</b> HALSTED ST. TO MCCORMICK SQUARE		<b>PAVEMENT MARKING PLAN</b>	
SCALE: 1"=50'	SHEET NO. OF SHEETS	STA. 143+00 TO STA. 170+00	

F.A.U. RTE. 1453	SECTION 2010-033- RS	COUNTY COOK	TOTAL SHEETS 23	SHEET NO. 9
FED. ROAD DIST. NO. 1 ILLINOIS FED. AID PROJECT CONTRACT NO. 60K86				