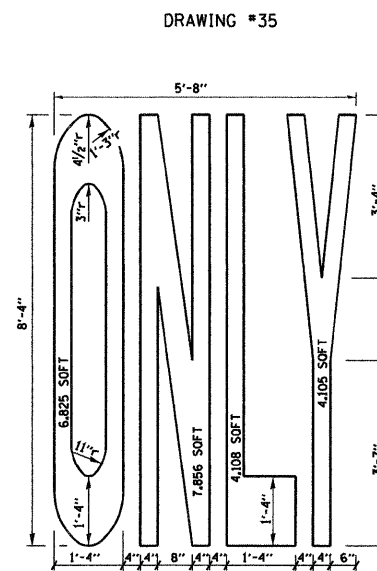
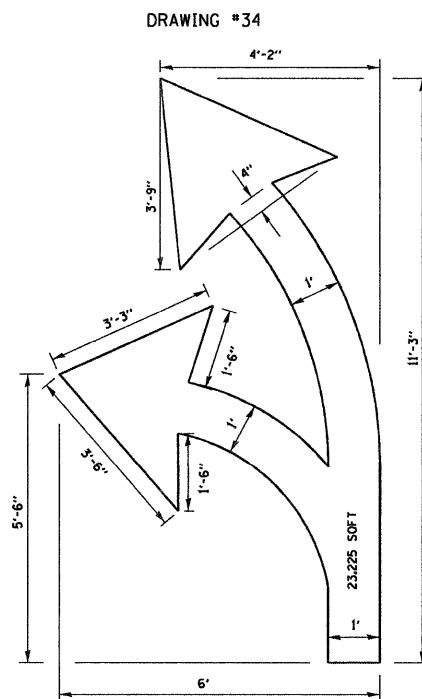
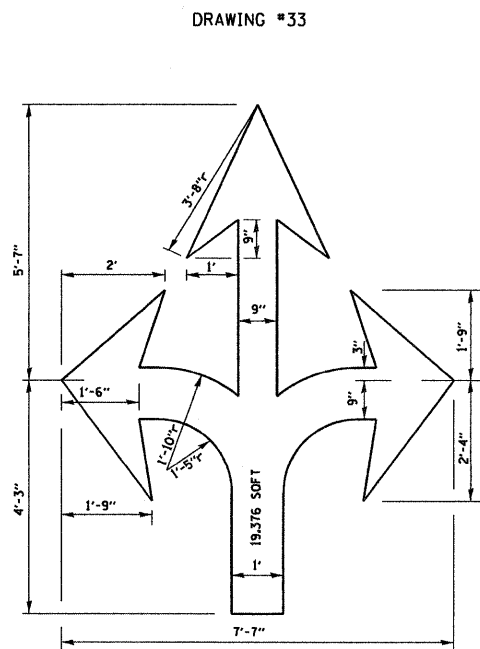
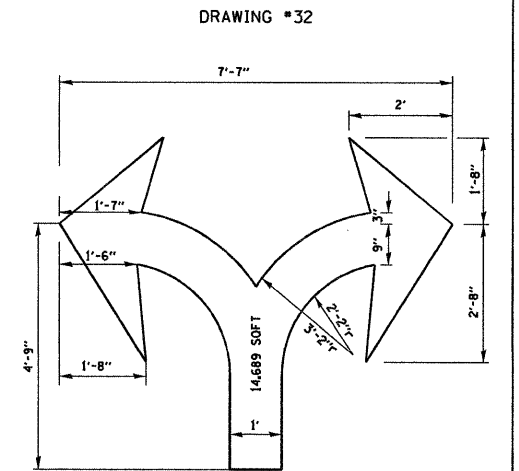
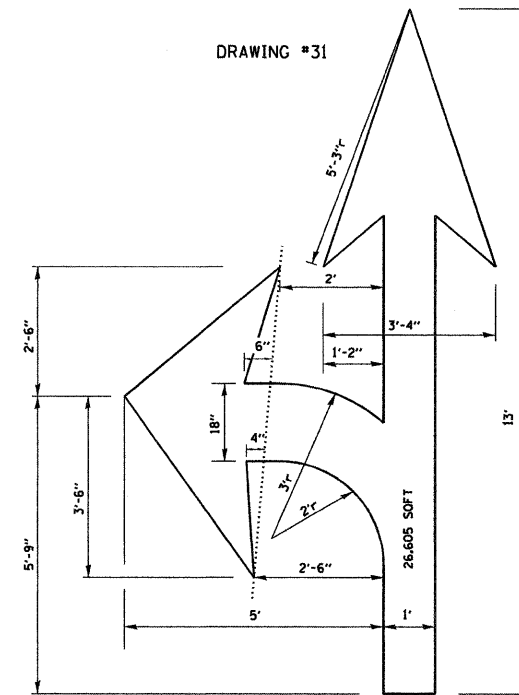
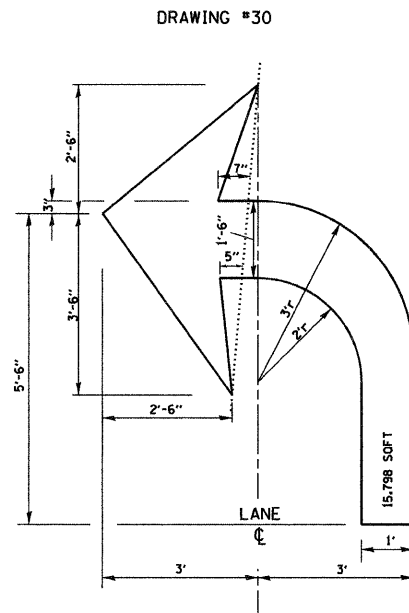
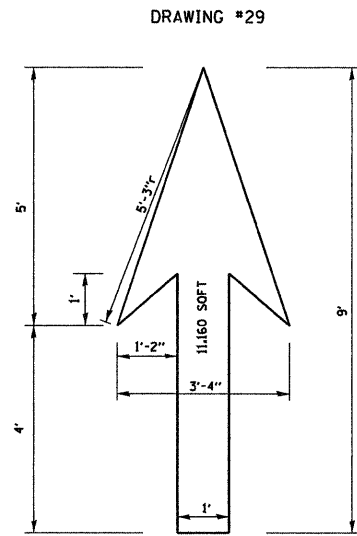


**NOTE:**  
 1.) FOR BIKE LANE SYMBOLS ONLY, USE PRE-FORMED THERMOPLASTIC WITH A MINIMUM THICKNESS OF 90 MILS, MINIMUM SKID RESISTANCE VALUE OF 60 BPN, & A MINIMUM INDEX OF REFRACTION OF 1.50.  
 2.) THE RESIDENT ENGINEER SHALL CONTACT MR. BEN GOMBERG AT 312-744-8093 AT LEAST ONE CALENDAR WEEK PRIOR TO INSTALLING BIKE LANE SYMBOLS.

**TYPICAL BIKE LANE SYMBOLS**  
 DRAWING #28



**NOTE:**  
 ALL MARKINGS SHALL BE SOLID WHITE UNLESS OTHERWISE NOTED IN THE PLANS

FILE NAME = W:\dststd\22x34\tc24.dgn

USER NAME = gegl1anobt  
 PLOT SCALE = 50.000' / IN.  
 PLOT DATE = 1/4/2008

DESIGNED -  
 DRAWN -  
 CHECKED -  
 DATE -  
 REVISED - T. RAMMACHER 12-07-00  
 REVISED -  
 REVISED -  
 REVISED -

**STATE OF ILLINOIS**  
**DEPARTMENT OF TRANSPORTATION**

**CITY OF CHICAGO**  
**TYPICAL PAVEMENT MARKINGS**  
 SCALE: NONE SHEET NO. 2 OF 2 SHEETS STA. TO STA.

F.A.U. RTE.	SECTION	COUNTY	TOTAL SHEETS	SHEET NO.
1453	2010-033 RS	COOK	23	22
<b>TC-24</b>		<b>CONTRACT NO. 60K86</b>		
FED. ROAD DIST. NO. 1 ILLINOIS FED. AID PROJECT				