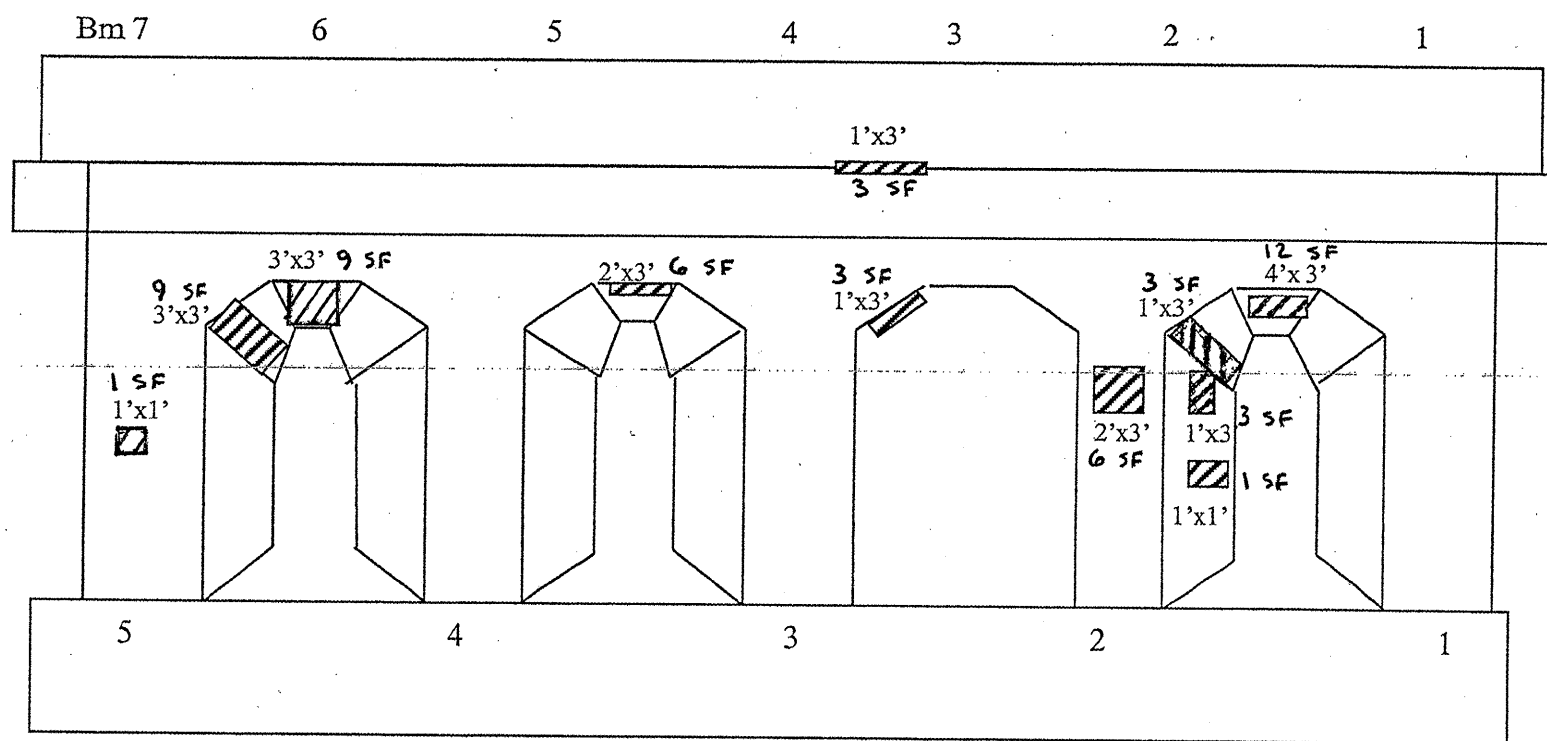


Pier 8 East Face



Pier 8 West Face

| PIER 8 BILL OF MATERIAL | UNIT | QUANTITY |
|------------------------------------|---------|----------|
| STRUCTURAL REPAIR OF CONCRETE ≤ 5" | SQ. FT. | 100 |

 STRUCTURAL REPAIR OF CONCRETE ≤ 5"

| | | | | | | | | | | | |
|--|------------------------|------------|-----------|---|------------------------|---------------------------|-------------|-------------|---------------------------|--------------|-----------|
| FILE NAME = | USER NAME = oconnellte | DESIGNED - | REVISED - | STATE OF ILLINOIS DEPARTMENT OF TRANSPORTATION | LOCATION 2 | SN 016-0955 | F.A. R.T.E. | SECTION | COUNTY | TOTAL SHEETS | SHEET NO. |
| c:\pwwork\pwwork\oconnellte\0228365\0758518-ahp-plan.dgn | DRAWN - | REVISED - | REVISED - | | PIER STRUCTURAL REPAIR | PIER 8 | VAR | 2010-068 BR | COOK | 69 | 60 |
| PLOT SCALE = 1/8" = 1' / IN. | CHECKED - | REVISED - | REVISED - | | SCALE: | SHEET NO. 10 OF 12 SHEETS | STA. | TO STA. | CONTRACT NO. 60LS1 | | |
| PLOT DATE = 9/2/2010 | DATE - | REVISED - | REVISED - | | | | | | ILLINOIS FED. AID PROJECT | | |