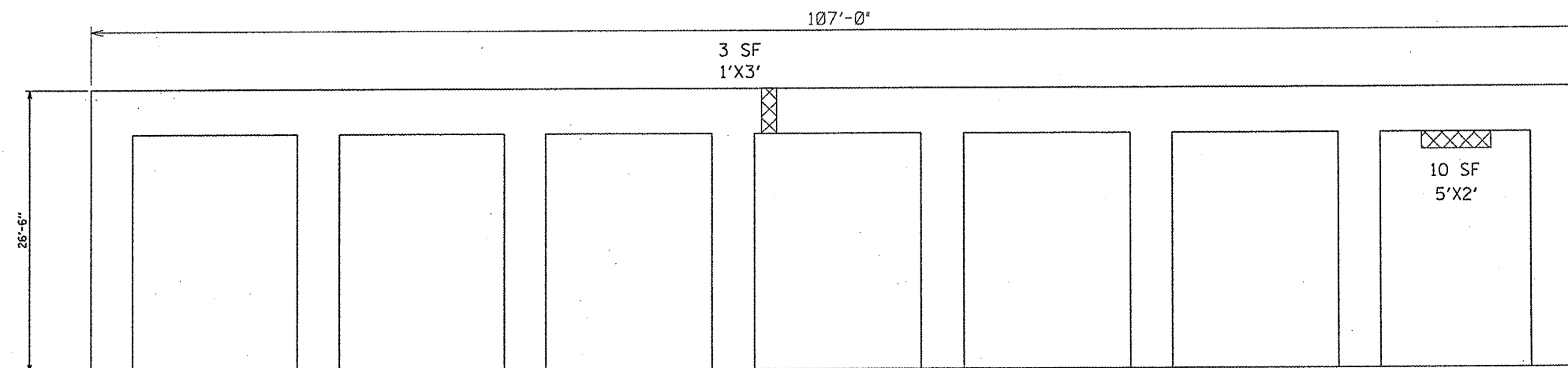


PIER 4 (EAST FACE)

PIER 4 BILL OF MATERIAL	UNIT	QUANTITY
STRUCTURAL REPAIR OF CONCRETE $\leq 5"$	SQ. FT.	40



PIER 4 (WEST FACE)



STRUCTURAL REPAIR OF CONCRETE $\leq 5"$

FILE NAME = c:\pwwork\pwwid\ocannellte\d0228365\d	USER NAME = ocannellte 750510-sht-pier.dgn	DESIGNED - DRAWN -	REVISED - REVISED -	STATE OF ILLINOIS DEPARTMENT OF TRANSPORTATION	LOCATION 3 PIER STRUCTURAL REPAIRS	SN 016-0570 PIER 4	F.A. RTE. VARIOUS	SECTION 2010-068-08	COUNTY COOK	TOTAL SHEETS 69	SHEET NO. 69	
PLOT SCALE = 1/8" = 1' / IN.		CHECKED -	REVISED -		SCALE:	SHEET NO. 6 OF 6 SHEETS	STA. TO STA.	CONTRACT NO. GOLS1		ILLINOIS FED. AID PROJECT		
PLOT DATE = 9/15/2010		DATE -	REVISED -									