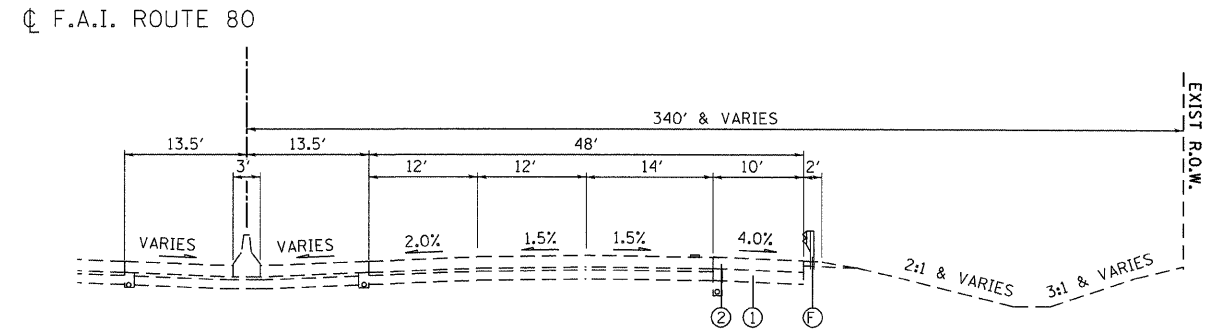


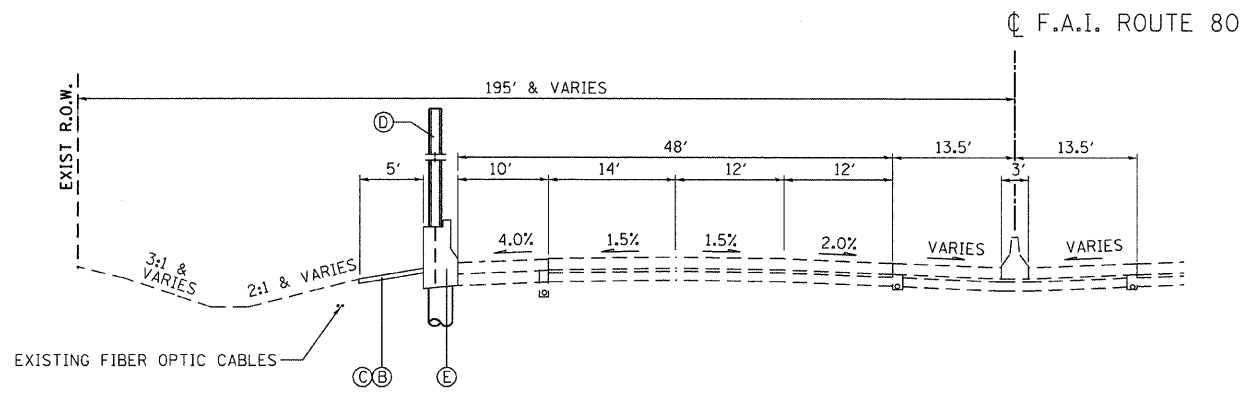
WESTBOUND LANES  
EXISTING TYPICAL SECTION

F.A.I. ROUTE 80  
STA. 872+70 TO STA. 888+35  
(LOOKING EAST)



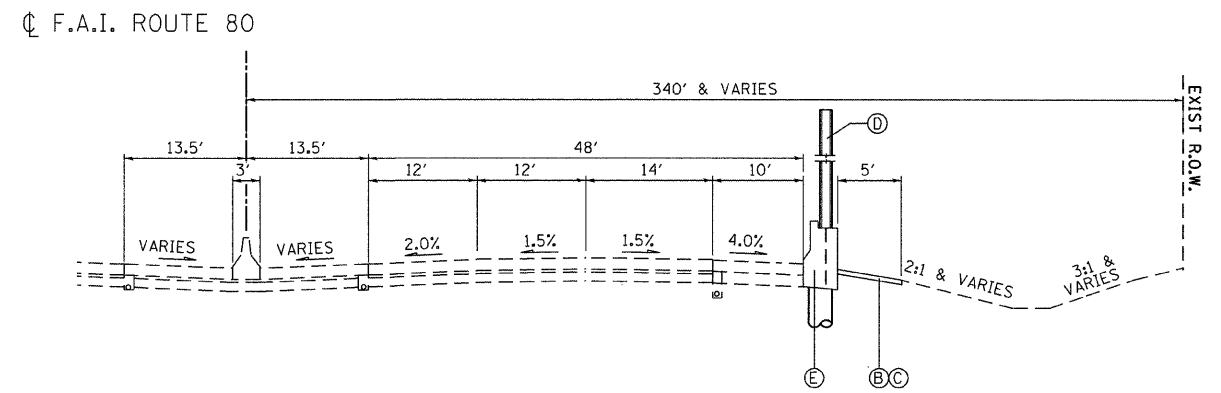
EASTBOUND LANES  
EXISTING TYPICAL SECTION

F.A.I. ROUTE 80  
STA. 875+20 TO STA. 888+35  
(LOOKING EAST)



WESTBOUND LANES  
PROPOSED TYPICAL SECTION

F.A.I. ROUTE 80  
STA. 872+70 TO STA. 888+35  
(LOOKING EAST)



EASTBOUND LANES  
PROPOSED TYPICAL SECTION

F.A.I. ROUTE 80  
STA. 875+20 TO STA. 888+35  
(LOOKING EAST)

EXISTING LEGEND

- ① AGGREGATE SUBGRADE 12"
- ② PORTLAND CEMENT CONCRETE SHOULDER, 12 1/4"

PROPOSED LEGEND

- Ⓐ NOISE ABATEMENT WALL, GROUND MOUNTED (X0301423)
- Ⓑ TOPSOIL FURNISH AND PLACE, 6" (21101625)
- Ⓒ EARTH EXCAVATION (20200100), EROSION CONTROL BLANKET (25100630), SEEDING, CLASS 2A (25000210)
- Ⓓ NOISE ABATEMENT WALL, STRUCTURE MOUNTED (X0324013)
- Ⓔ BARRIER SUPPORT STRUCTURE FOR NOISE WALL
- Ⓕ GUARDRAIL REMOVAL (63200310)

c:\pco\3384\5\_noise\_walls\design\Typical Sections\3384NW-Typical102.dgn

**ENGINEERING CONSULTANT**  
**Clorba Group, Inc.**  
CONSULTING ENGINEERS  
587 North Cambridge Avenue, Suite 402  
Chicago, Illinois 60656  
Tel: 773.776.4000 Fax: 773.776.4014  
Email: dthorpe@clorba.com

USER NAME = jkjeilman	DESIGNED - CRC	REVISIONS
PLOT SCALE = 10.00' / 1"	DRAWN - JMK	REVISIONS
PLOT DATE = 3/24/2011	CHECKED - SNS	REVISIONS
	DATE - 1/7/2011	REVISIONS

DESIGNED - CRC	REVISIONS
DRAWN - JMK	REVISIONS
CHECKED - SNS	REVISIONS
DATE - 1/7/2011	REVISIONS

**STATE OF ILLINOIS  
DEPARTMENT OF TRANSPORTATION**

**F.A.I. 80 NOISE ABATEMENT WALLS  
TYPICAL SECTIONS**

SCALE: SHEET NO. OF SHEETS STA. TO STA.

F.A.I. RTE.	SECTION	COUNTY	TOTAL SHEETS	SHEET NO.
80	99-5R-1	WILL	112	9
CONTRACT NO. 60N86				
ILLINOIS FED. AID PROJECT				