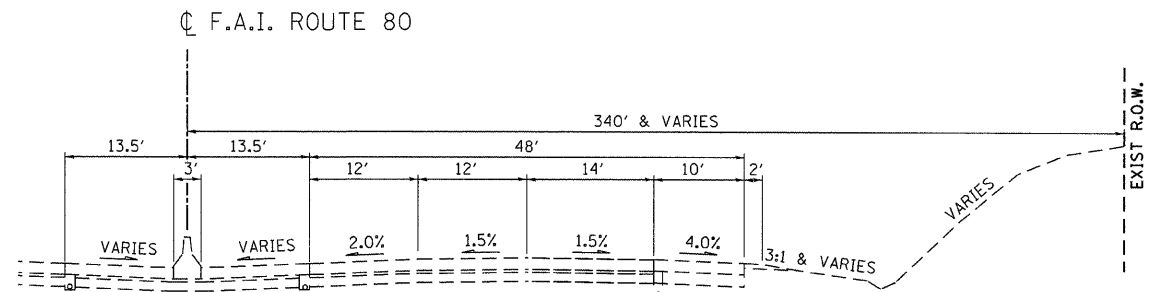
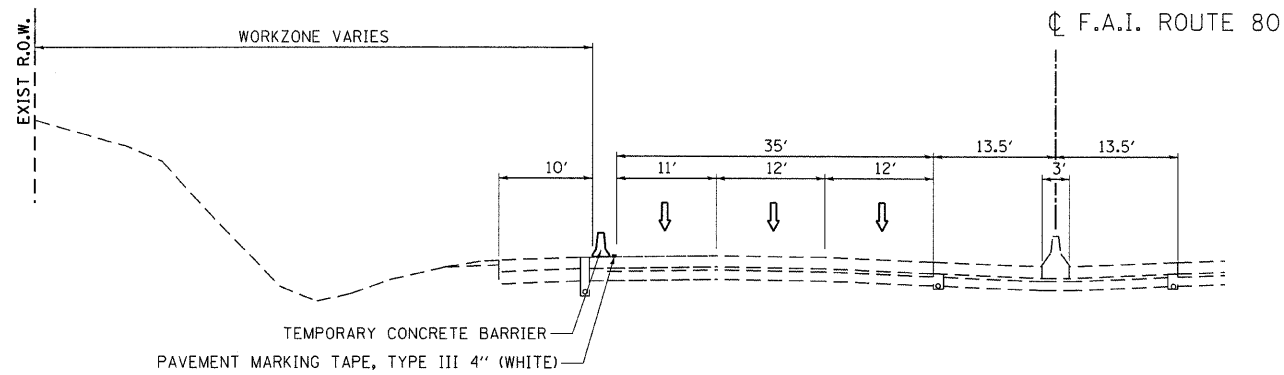


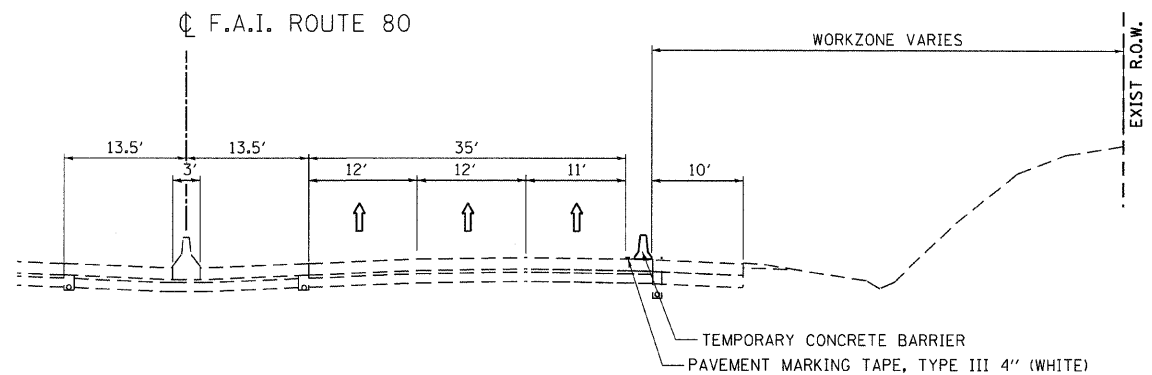
WESTBOUND LANES
 EXISTING TYPICAL SECTION
 F.A.I. ROUTE 80
 STA. 870+35 TO STA. 874+10
 (LOOKING EAST)



EASTBOUND LANES
 EXISTING TYPICAL SECTION
 F.A.I. ROUTE 80
 STA. 871+00 TO STA. 889+35
 STA. 989+50 TO 1010+50
 (LOOKING EAST)



WESTBOUND LANES
 MAINTENANCE OF TRAFFIC SUGGESTED TYPICAL SECTION
 F.A.I. ROUTE 80
 STA. 871+30 TO STA. 890+43
 (LOOKING EAST)



EASTBOUND LANES
 MAINTENANCE OF TRAFFIC SUGGESTED TYPICAL SECTION
 F.A.I. ROUTE 80
 STA. 871+00 TO STA. 889+35
 (LOOKING EAST)

NOTES:
 NO WORK ZONE OPENINGS IN THE TEMPORARY CONCRETE BARRIER WILL BE ALLOWED.
 A MINIMUM DISTANCE OF 1 FOOT SHALL BE MAINTAINED BETWEEN THE LANE LINE AND THE TEMPORARY CONCRETE BARRIER THROUGHOUT THE PROJECT.

c:\p\p\03384\5_noise_walls\design\MDT\3384NW-staging_typical.dwg

ENGINEERING CONSULTANT
Clorba Group, Inc.
 CONSULTING ENGINEERS
 6507 North Campbell Avenue, Suite 402
 Chicago, Illinois 60656
 Tel: 773.775.4200 Fax: 773.775.4014
 Email: info@clorba.com

USER NAME = jkjemman
PLOT SCALE = 10.00' / IN.
PLOT DATE = 3/24/2011

DESIGNED - CRC	REVISIONS
DRAWN - JMK	REVISIONS
CHECKED - SNS	REVISIONS
DATE - 1/7/2011	REVISIONS

REVISIONS
REVISIONS
REVISIONS
REVISIONS

**STATE OF ILLINOIS
 DEPARTMENT OF TRANSPORTATION**

**F.A.I. 80 NOISE ABATEMENT WALLS
 STAGING AND TRAFFIC CONTROL TYPICAL SECTIONS**

SCALE: SHEET NO. OF SHEETS STA. TO STA.

F.A.I. RTE.	SECTION	COUNTY	TOTAL SHEETS	SHEET NO.
80	99-5R-1	WILL	112	14
CONTRACT NO. 60N86				
ILLINOIS FED. AID PROJECT				