

**BILL OF MATERIAL**  
Total for walls 7A and 8A

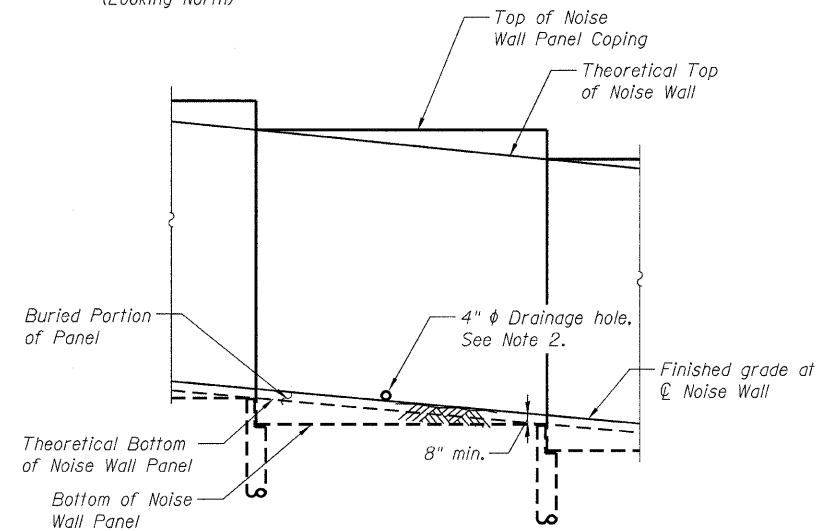
ITEM	UNIT	TOTAL
Noise Abatement Wall, Ground Mounted	Sq. Ft.	17,250

**WALL 8A INFORMATION**

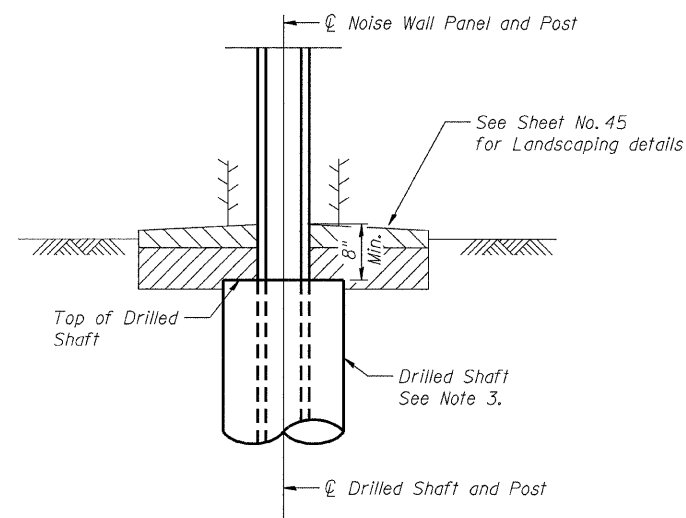
Station *	Offset *	Theoretical Top of Wall	Theoretical Bottom of Wall	Proposed Grade Elev. at front face
870+00.00	163.11	732.34	720.88	721.55
871+00.00	157.49	729.67	716.71	717.38
872+00.00	151.86	727.01	712.53	713.20
873+00.00	146.24	724.34	710.71	711.38
874+00.00	140.61	721.68	708.88	709.55
874+97.49	135.13	719.08	703.56	704.23
875+00.00	131.99	719.04	703.34	704.00
875+05.59	125.00	718.94	702.83	703.50
876+00.00	124.77	718.00	699.66	700.33
877+00.00	124.52	717.00	696.50	697.17
878+00.00	124.27	716.00	693.33	694.00

\* Stations and offsets for the wall are given from center of F.A.I. Rte. 80 to center of Noise Wall and Foundation

**ELEVATION - WALL 8A**  
(Looking North)



**TYPICAL PANEL ELEVATION**  
Walls 7A, 8A & 11



**TYPICAL SECTION**  
Walls 7A, 8A & 11

**NOTES:**

- See sheet S-1 for Wall 8A plan view. See Sheet S-5 for Wall 11 plan and elevation.
- 4" diameter drainage holes shall be field drilled through wall panels as required to facilitate surface drainage with a maximum of one hole per panel. Location to be determined by the Engineer. Cost included with Noise Abatement Wall, Ground Mounted.
- Type, size and spacing of posts, noise wall panels, drilled shaft size and embedment length, reinforcement details, lifting bars and wall limits including top and bottom of wall shall be determined by Contractor. Cost included with Noise Abatement Wall, Ground Mounted.

N:\PROJ\3384\5-Noise Walls\Design\Structural\CAD\02 Noise wall 8A.dgn



USER NAME = jk,jellman	DESIGNED - EKM	REVISED -
PLOT SCALE = 5/8" = 1'	CHECKED - AMK	REVISED -
PLOT DATE = 3/24/2011	DRAWN - RD	REVISED -
	CHECKED - EKM	REVISED -

**STATE OF ILLINOIS**  
**DEPARTMENT OF TRANSPORTATION**

**ELEVATION - WALL 8A**  
**STA. 870 + 00.00 TO STA. 878 + 00.00**

SHEET NO. S-2 OF S-5 SHEETS

F.A. RTE.	SECTION	COUNTY	TOTAL SHEETS	SHEET NO.
80	99-5R-1	WILL	112	41
CONTRACT NO. 60N86			[ILLINOIS] FED. AID PROJECT	