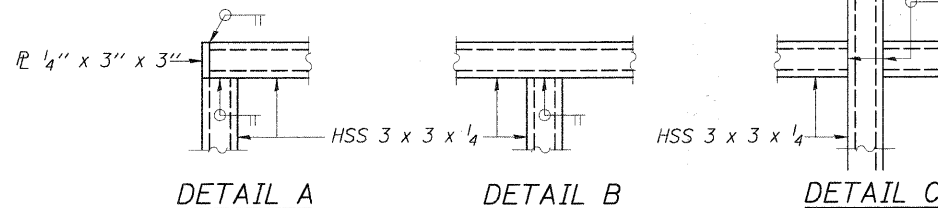
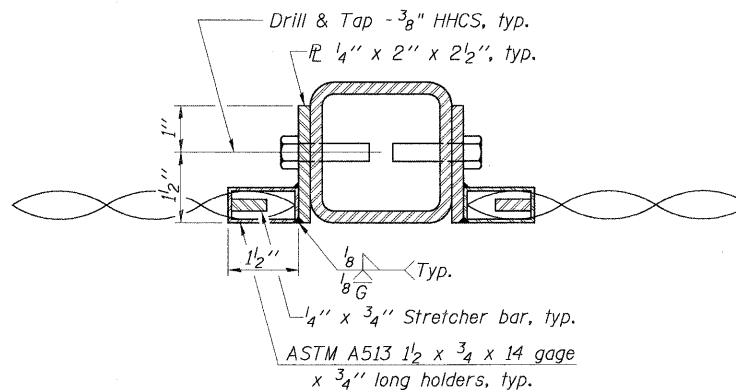


BICYCLE RAILING

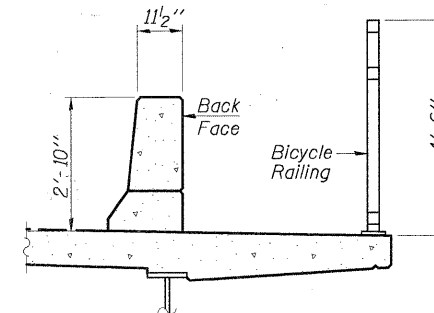
Contractor To Space Posts To Avoid Parapet Joint.



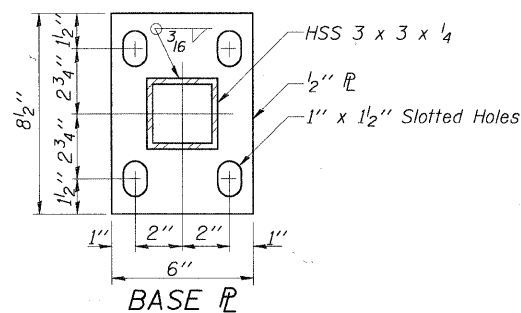
All steel rail elements shall be galvanized according to Article 509.05 of the Standard Specifications.



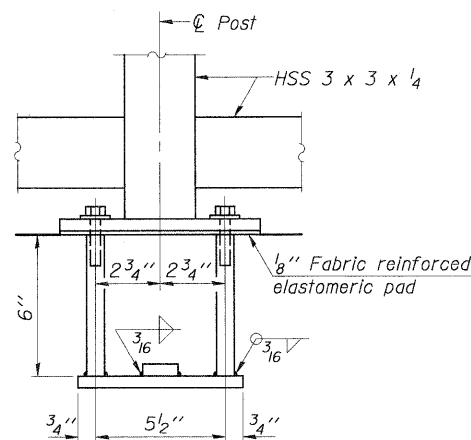
SECTION A-A



SECTION THRU DECK

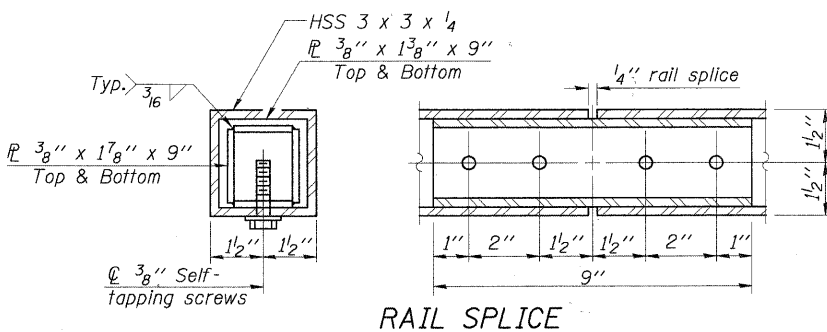
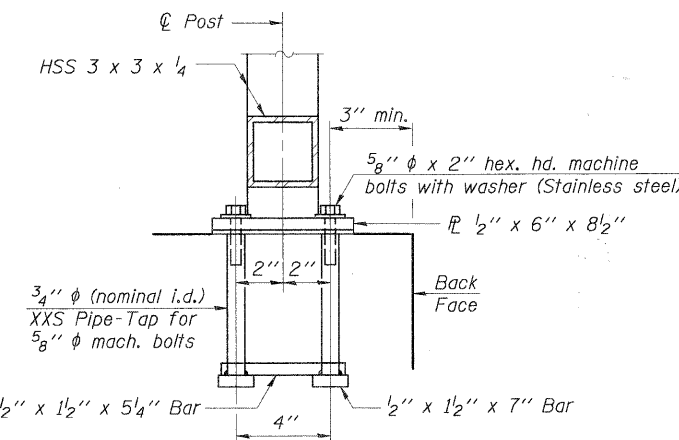


BASE PL



ANCHOR BOLT DETAILS

In lieu of the cast-in-place anchor device shown, the Contractor has the option of drilling and setting 5/8" ϕ anchor rods according to Article 509.06 of the Standard Specifications. Embedment shall be according to the manufacturer's specifications.



RAIL SPLICE

BILL OF MATERIAL

Item	Unit	Quantity
Bicycle Railing	Foot	156

CHRISTOPHER B. BURKE ENGINEERING, LTD.
9575 W. Higgins Road, Suite 600
Rosemont, Illinois 60018
(847) 823-0500



FILE NAME =	USER NAME = BBLIKE	DESIGNED - MM	REVISED -
N:\kane\county\04198\STRUCT_2\04198-512.SHT		DRAWN - PDR	REVISED -
	PLOT SCALE = 1'	CHECKED - MM	REVISED -
	PLOT DATE = 2/7/2011	DATE -	REVISED -

STATE OF ILLINOIS
DEPARTMENT OF TRANSPORTATION

BICYCLE RAILING

SHEET NO. S-12 OF S-21

F.A.S. RTE.	SECTION	COUNTY	TOTAL SHEETS	SHEET NO.
0130	01-00266-00-BR	KANE	70	49
FED. ROAD DIST. NO. 1 [ILLINOIS] FED. AID PROJECT BRM-800310431			CONTRACT NO. 63196	

F.A.S. 0130 -BIG TIMBER ROAD
OVER TYLER AND PINGREE CREEK
SECTION 01-00266-00-BR
KANE COUNTY, ILLINOIS
STA. 135+80.00
STRUCTURE NO. 045-3323