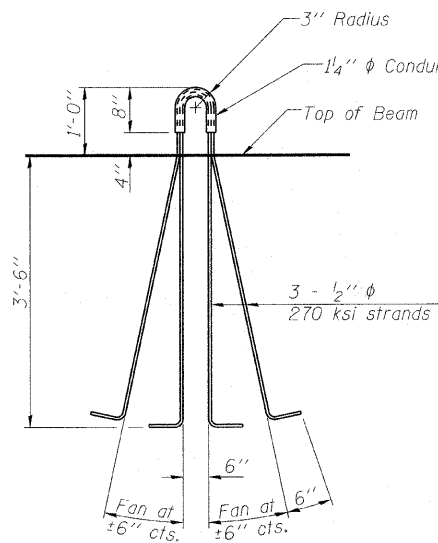


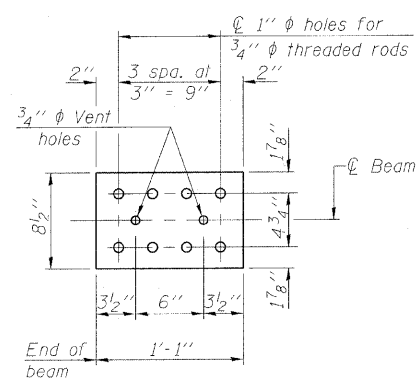
MCHENRY COUNTY
DIVISION OF TRANSPORTATION

NOTES

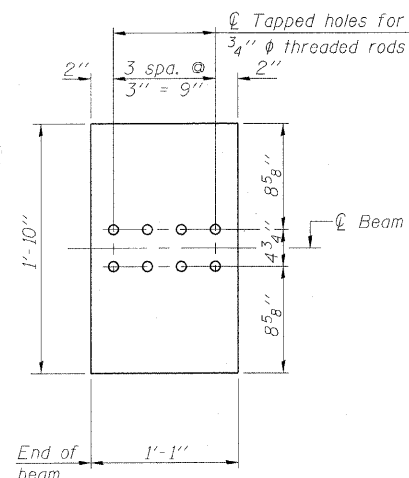
Inserts for $\frac{3}{4}$ " ϕ threaded dowel rods, when specified, are to be two strut, ferrule type for interior beams and single ferrule, flared loop type for exterior beams.
 Prestressing steel shall be uncoated high strength, low relaxation 7-wire strand, Grade 270. The nominal diameter shall be $\frac{1}{2}$ " and the nominal cross-sectional area shall be 0.153 sq. in.
 Reinforcement bars shall conform to ASTM A 706, Grade 60. (See Special Provisions). A minimum $2\frac{1}{2}$ " ϕ lifting pin shall be used to engage the lifting loops during handling.
 The top and bottom plates shall be AASHTO M270 Grade 50.
 The bottom plates and studs shall be galvanized according to AASHTO M111. Top plates and threaded rods need not be galvanized.
 Threaded rods shall be ASTM F 1554 Grade 55.



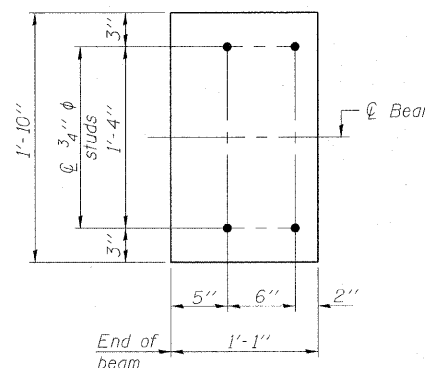
LIFTING LOOP DETAIL



TOP PLATE

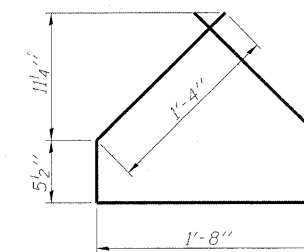


BOTTOM PLATE
(Showing threaded rods)

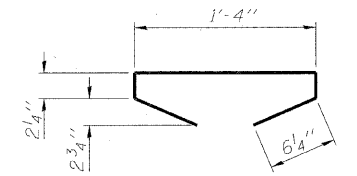


BOTTOM PLATE
(Showing studs)

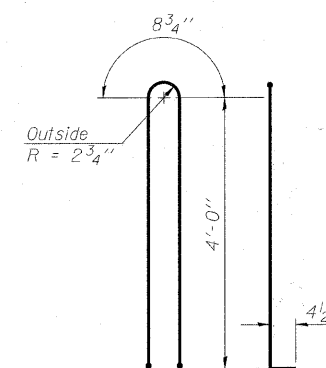
See bearing details for pintle hole locations when required.



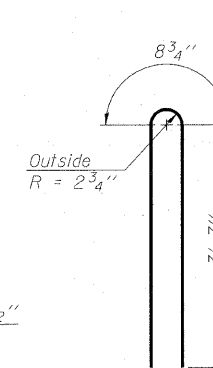
BAR G4



BAR G5



BAR G1



BAR G2

BILL OF MATERIAL

Item	Unit	Total
Furnishing and Erecting Precast Prestressed Concrete I-Beams, 48"	Foot	747

**48" PPC I-BEAM DETAILS
STRUCTURE NO. 056-3181**

SHEET NO. 19	F.A.S. RTE.	SECTION	COUNTY	TOTAL SHEETS	SHEET NO.
25 SHEETS	0028	06-00320-01-BR	MCHENRY	70	43
CONTRACT NO. 63535					
JOB NO. C-91-139-11 ILLINOIS FED. AID PROJECT BRS-0028(107)					

DESIGNED	BLB
CHECKED	AS
DRAWN	BCD
CHECKED	BLB