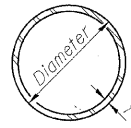
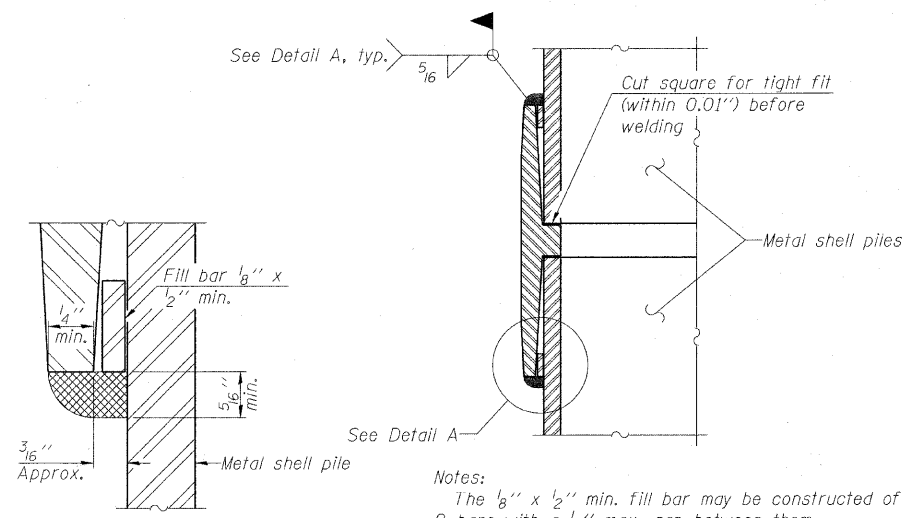


MCHENRY COUNTY
DIVISION OF TRANSPORTATION



METAL SHELL PILE TABLE

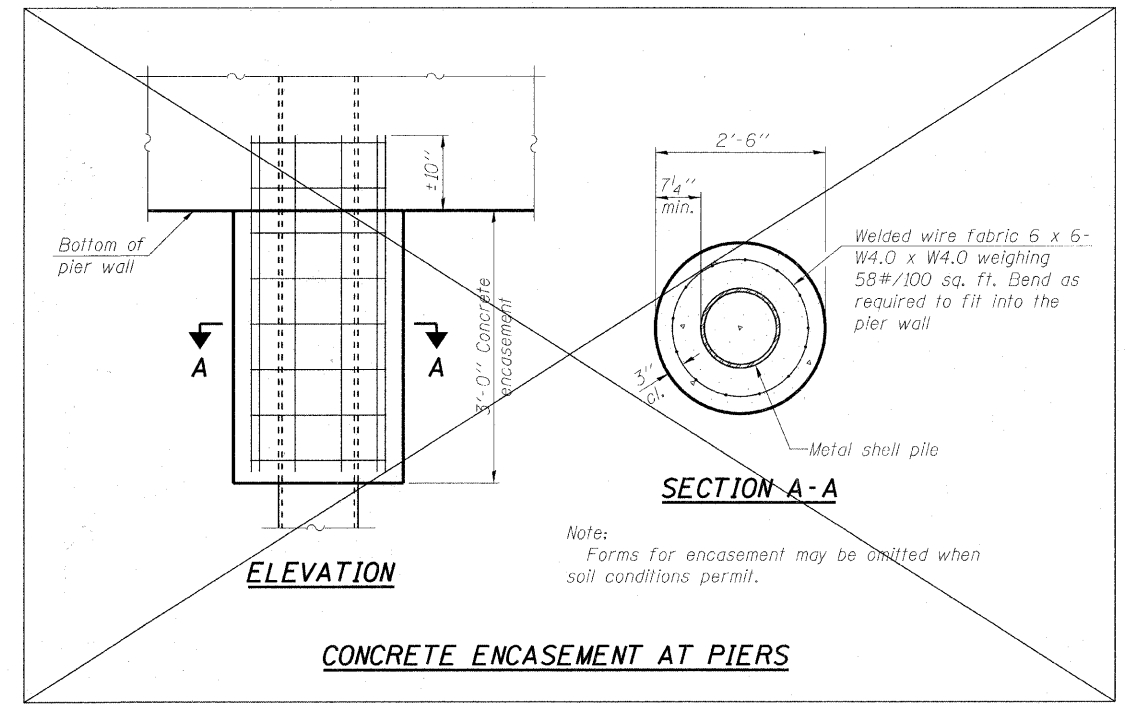
Designation and outside diameter	Wall thickness t	Weight per foot (Lbs./ft.)	Inside volume (yd. ³ /ft.)
PP12	0.179"	22.60	0.0274
PP12	0.250"	31.37	0.0267
PP14	0.250"	36.71	0.0368
PP14	0.312"	45.61	0.0361



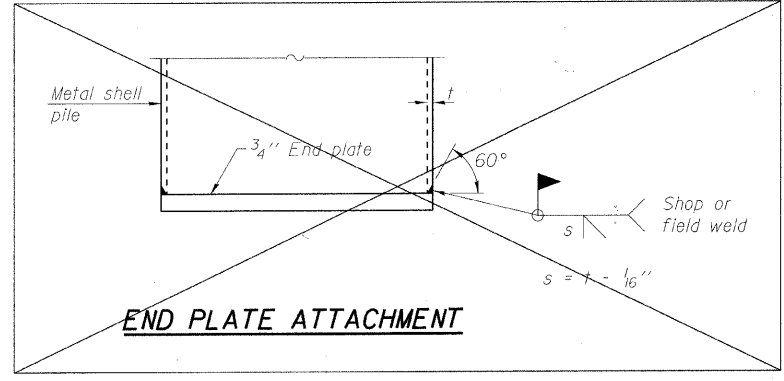
DETAIL A

Notes:
The 1/8" x 1/2" min. fill bar may be constructed of 2 bars with a 1/8" max. gap between them.
Pile segments shall be driven to solid contact with splicer before welding.

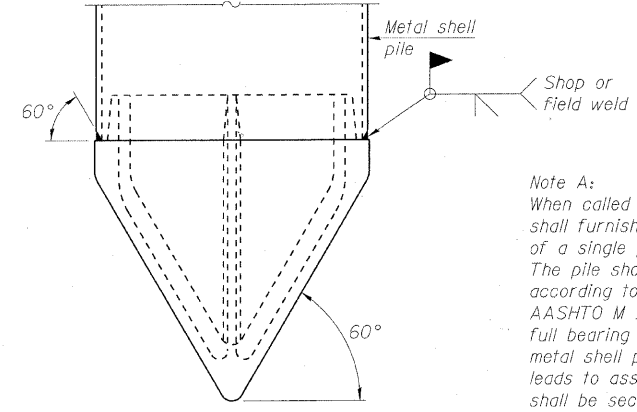
WELDED COMMERCIAL SPLICE



CONCRETE ENCASEMENT AT PIERS



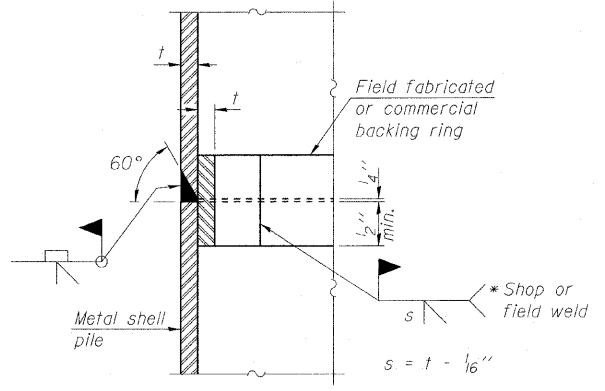
END PLATE ATTACHMENT



METAL SHELL PILE SHOE ATTACHMENT

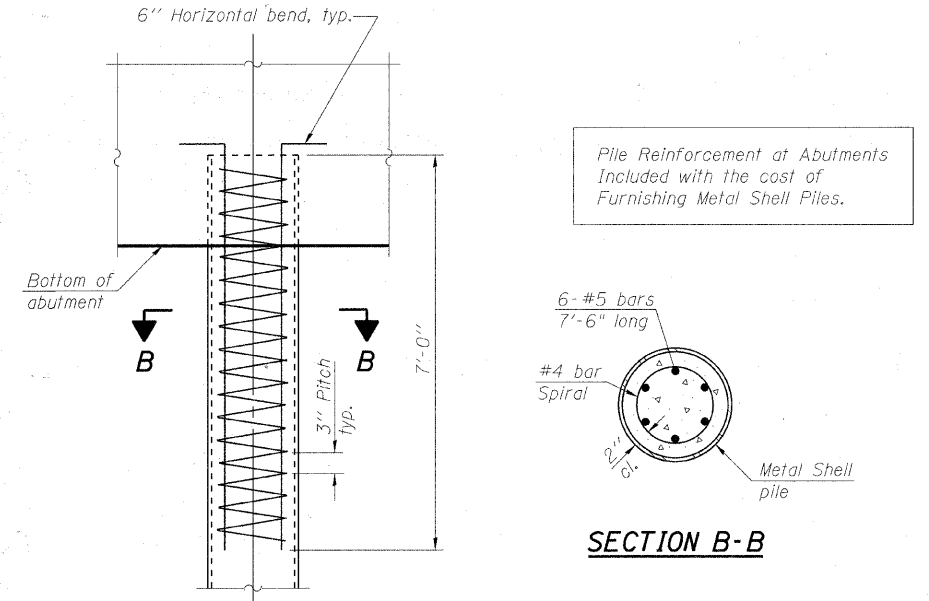
(See Note A)

Note A:
When called for on the plans, the Contractor shall furnish metal shell pile shoes consisting of a single piece conical pile point as shown. The pile shoes shall be cast in one piece steel according to either ASTM A 148 Grade 90-60 or AASHTO M 103 Grade 65-35 and shall provide full bearing over the full circumference of the metal shell pile. The pile shoe shall have tapered leads to assure proper alignment and fitting and shall be secured to the pile with a circumferential weld.



COMPLETE PENETRATION WELD SPLICE

* Field fabricated backing ring may be made from pile shell by removing segment to allow reducing circumference and vertically rejoin with partial joint penetration weld.



ELEVATION

METAL SHELL REINFORCEMENT AT ABUTMENTS

SECTION B-B

DESIGNED	BLB
CHECKED	AS
DRAWN	BCD
CHECKED	BLB

Note:
The metal shell piles shall be according to ASTM A 252 Grade 3.

SHEET NO. 22 25 SHEETS	F.A.S. RTE.	SECTION	COUNTY	TOTAL SHEETS	SHEET NO.
	0028	06-00320-01-BR	MCHENRY	70	46
CONTRACT NO. 63535					
JOB NO. C-91-139-11		ILLINOIS	FED. AID PROJECT	BRS-0028(107)	

**METAL SHELL PILE DETAILS
STRUCTURE NO. 056-3181**

COPYRIGHT © 2000 BY BAXTER & WOODMAN, INC.
 STATE OF ILLINOIS - PROFESSIONAL DESIGN FIRM
 No. 06-00320-01-BR
 2/27/01
 5665cc